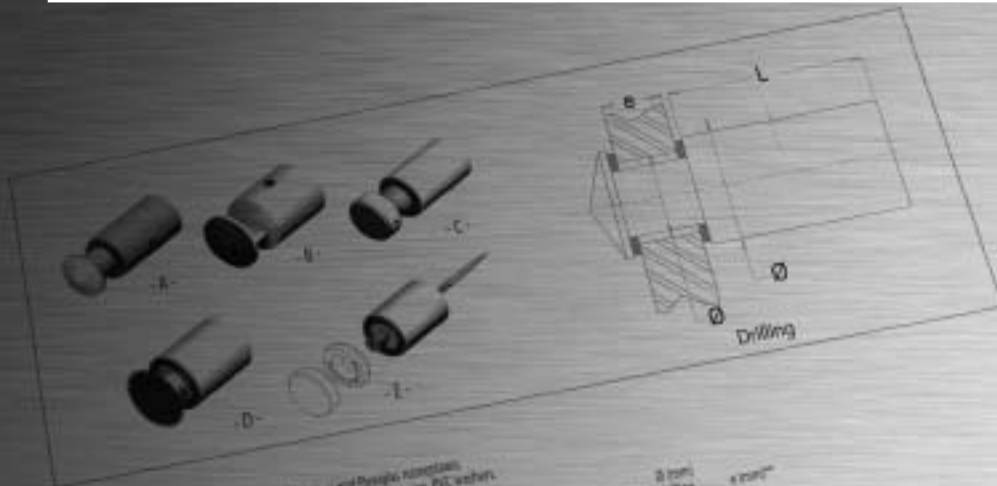


# PREFIT

FITTINGS FOR GLASS



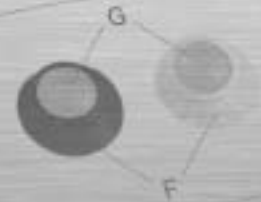
Wall mounted support for glass and Plexiglas, stainless  
 finished with brass plugs, VVA hardware screws, PVC washers.

		Ø (mm)	L (mm)	Ø (mm) drilling	e (mm)	
A	Stainless steel support	525 808	14	26	11	48/108
B	Stainless steel support without holes (stamp)	525 875	24	26	-	48/108
C	Stainless steel support	525 877	14	24	11	2-12/04
D	Stainless steel support with tamper-proof counter-sink holes use spacers 525 876	525 030	20	24	-	4-15
E	Chromium-plated brass support Ø 10 mm 5/16 14 M and Ø 12 mm stainless steel	525 890	16	26	4	24/108

\* Counter-sink hole Ø 14 (11 x 4)  
 \*\* L Max. thickness for organic glass

525b

"PICO" fastener



Fastener for mounting glass or other rigid panels to wall.  
 It is made of high strength 6061 Al 2024.  
 Finish with metal or wood screws. Ø 4.5 mm not supplied.  
 with epoxy resin.

11/11 mm  
 525 107  
 100 mm

Section 4

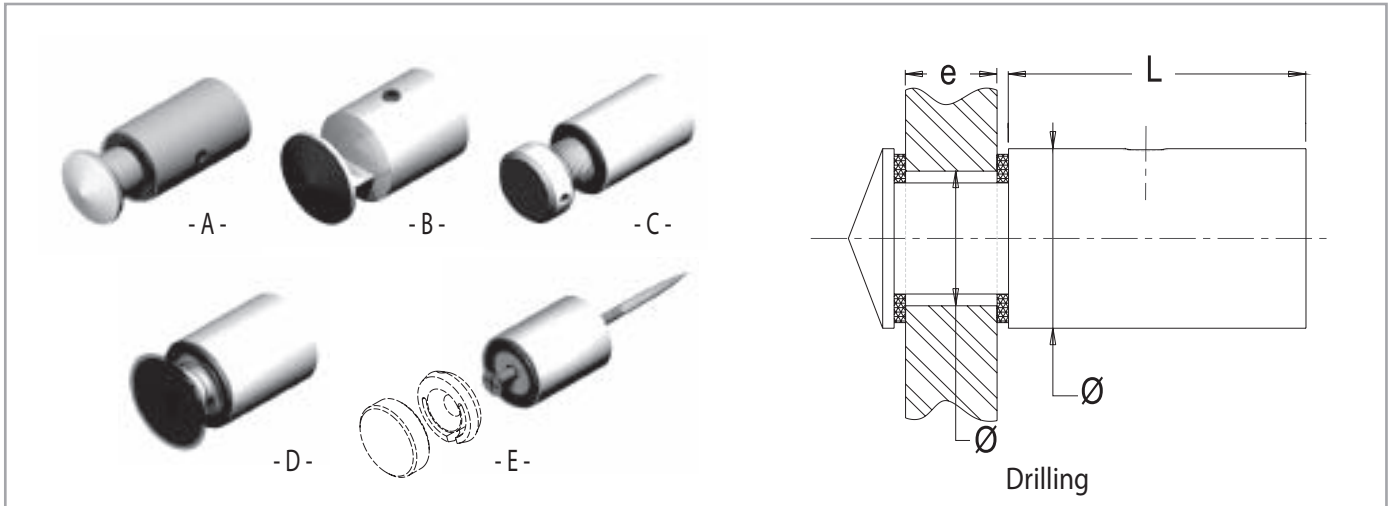
WALL SUPPORTS & COUNTER SPACERS

2007

TOOLS & SHOPFITTING ACCESSORIES

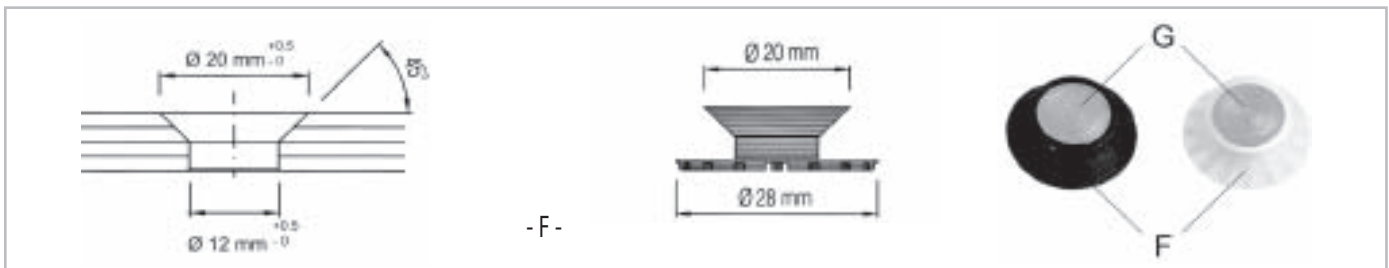
[www.prefit-fittings.com](http://www.prefit-fittings.com)

## Wall-Mounted Supports - 525a

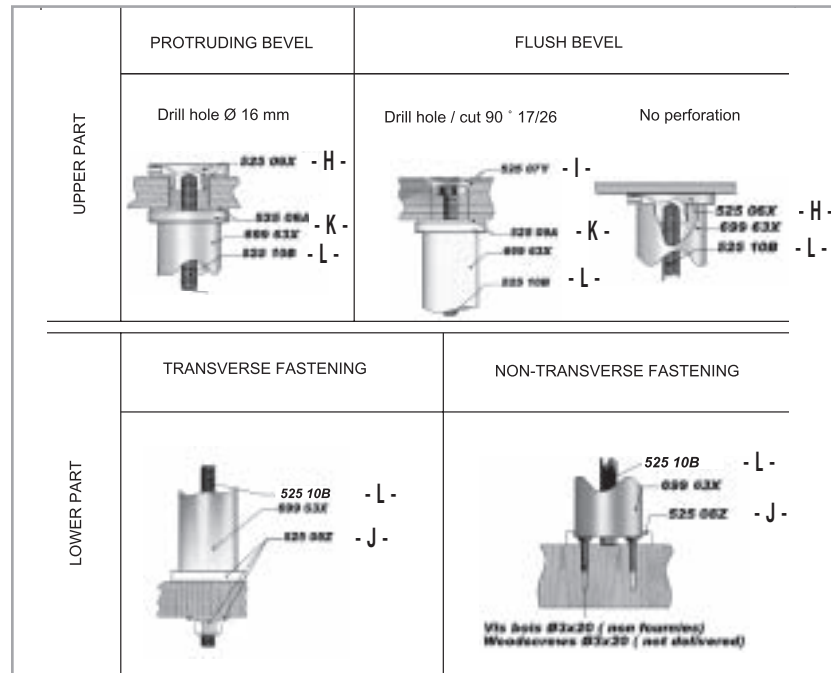


<p>Wall-mounted support for glass and Plexiglas nameplates. Supplied with dowel plugs, VBA hardboard screws, PVC washers.</p>						
			Ø (mm)	L (mm)	Ø (mm) drilling	e (mm)**
- A -	Stainless steel support	525 00R	16	26	12	6-8 (10)
- B -	Stainless steel support without holes (clamp)	525 01S	24	26	—	6-10 (12)
- C -	Stainless steel support	525 02T	16	24	12	2-12 (14)
- D -	Stainless steel support with tamperproof countersunk head use spanner 508 81G	525 03U	20	24	*	8-15
- E -	Chrome-plated brass support Use base 518 06 M and clip-on rosettes dia16mm	525 04V	16	20	6	2-8 (10)
<p>* Countersunk hole dia. 14 (22 x 4) ** ( ) Max. thickness for organic glass</p>						

## PICO Fastener - 525b



<p>Fastener for mounting glass or other material panels on inside walls. 12-mm dia. hole, countersink 90°, dia. 20mm. Secure with metal or wood screw, dia. 6 mm (not supplied). Plastic securing washer</p>			
	For glass thickness	6/8 mm	10/12 mm
- F -	black plastic	525 11C	525 12D
- F -	transparent plastic	525 13F	525 14G
		nickel plated brass	gilded brass
- G -	decorative clip-on ring	525 15H	525 16J



		Parts for counter spacers for use with stainless steel tube,, dia. 25 and threaded rod
- H -		4 stainless steel flat caps,, dia. 32 mm, stainless steel, with plastic spring washers
- I -		Set of 4 stainless steel cone shaped caps, dia. 20 mm, with plastic protection cone
		<b>Securing kit for stainless steel tube, including:</b>
- J -		4 stainless steel plates, dia. 32 mm, 4 stainless steel washers with 4 stainless steel nuts for threaded rod M6
- K -		set of 4 stainless steel caps,, dia. 32 mm, with 30-mm dia. spring washer
- L -		threaded rod M6 ADX, 1 m long

525 06X  
525 07Y

525 08Z  
525 09H  
525 10B



Distributors of Architectural Ironmongery  
to the Shopfitting Glass and Allied Trades

## [www.prefit-fittings.com](http://www.prefit-fittings.com)

# P R E F I T

14 Sovereign Park, Coronation Road  
London NW10 7QP  
Tel: 020 8961 4777 Fax: 020 8961 4747  
Email: [sales@prefit-fittings.com](mailto:sales@prefit-fittings.com)  
[www.prefit-fittings.com](http://www.prefit-fittings.com)



LRQ 0964 799