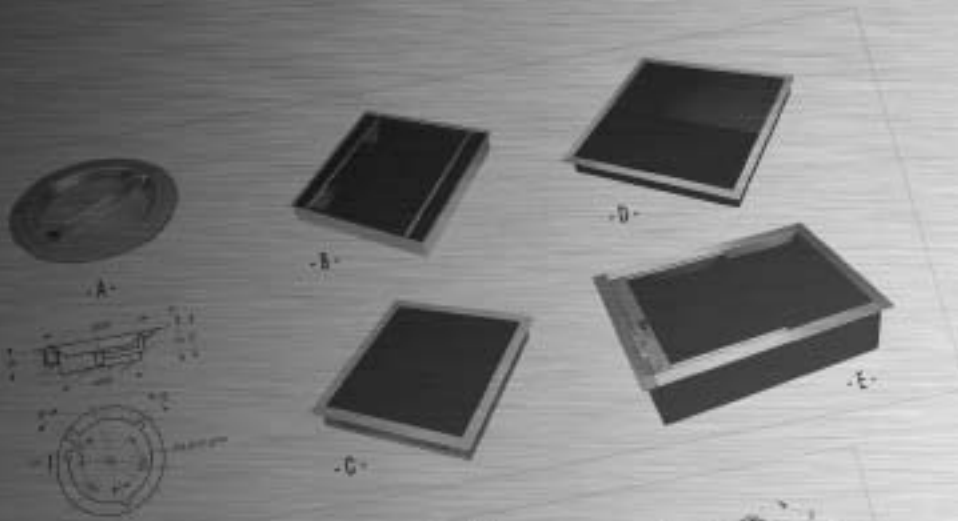


PREFIT

FITTINGS FOR GLASS



Money Hatch Dimensions

	External dimensions (mm)			Flush-mount dimensions (mm)		
	F	L	H	A	L	H
-B-	428	425	95	415	415	85
-C-	318	285	42	287	277	43
-D-	440	340	45	425	425	45
-E-	531	425	148	505	410	145



-A-	Money hatch in natural clear frosted light blue tinted or with bevels, with locking system	951 184
-B-	Acoustic money hatch, robust shade and black PVC anodized aluminum lining, with metal grille preventing circulation of a small one, for AL frame, with side metallic finish improving phone transmission	951 904
-C-	Acoustic money hatch, robust shade and black PVC anodized aluminum lining, for AL and AL frames - stainless steel (black and bronze)	small model (54) 951 904 large model (92) 951 905
-D-	Acoustic money hatch, robust shade and black PVC lining, with double adhesive for fastening base, double side liquid crystal (LCD) or numeric keypad	951 907

Section 8

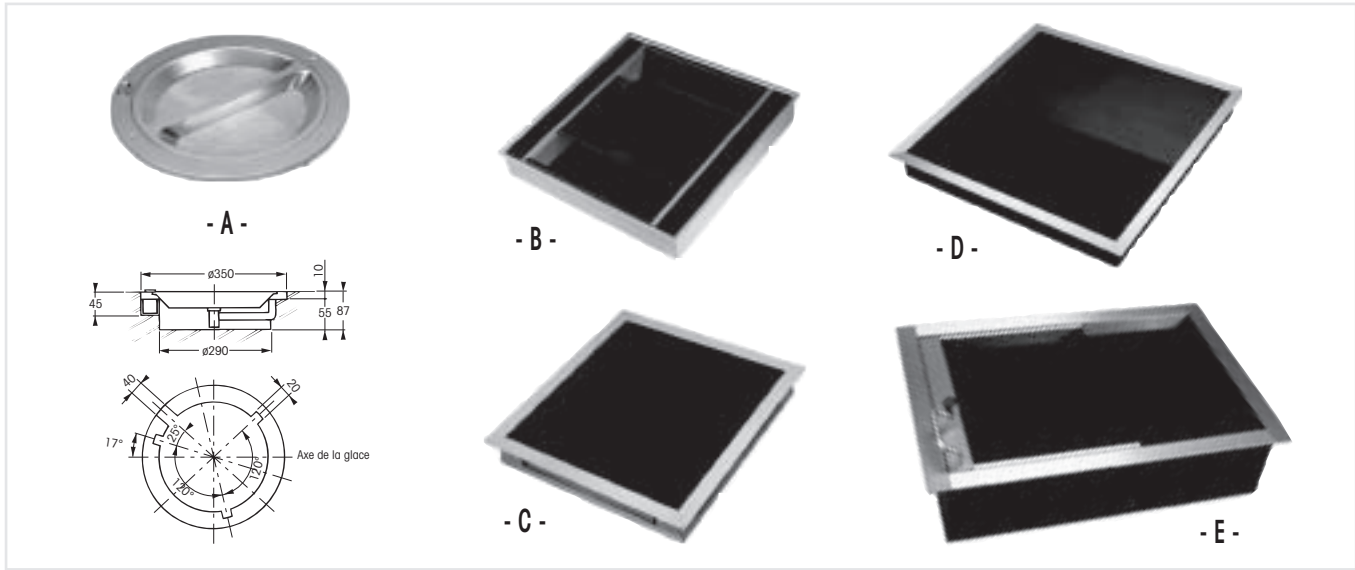
MONEY HATCHES & SPEAK HOLES

2007

TOOLS & SHOPFITTING ACCESSORIES

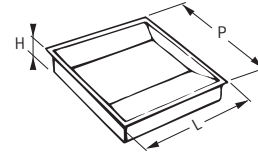
www.prefit-fittings.com

651 - Money Hatch

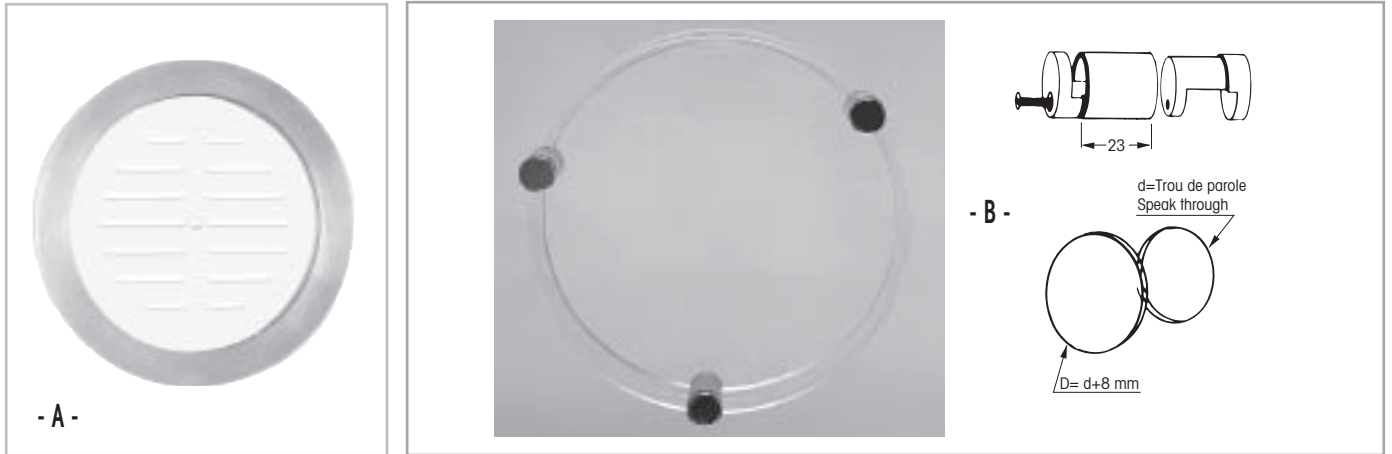


Money Hatch Dimensions

	External dimensions (mm)			Flush mount dimensions (mm)		
	P	L	H	P	L	H
- B -	426	426	66	413	413	65
- C -	316	295	43	297	277	43
- D -	440	440	45	425	425	45
- E -	631	430	148	580	410	146

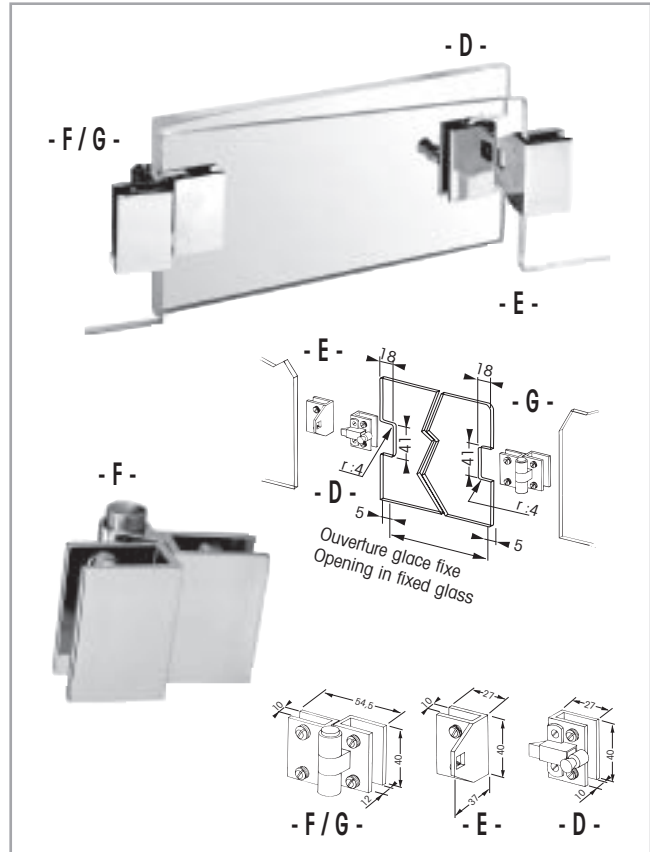
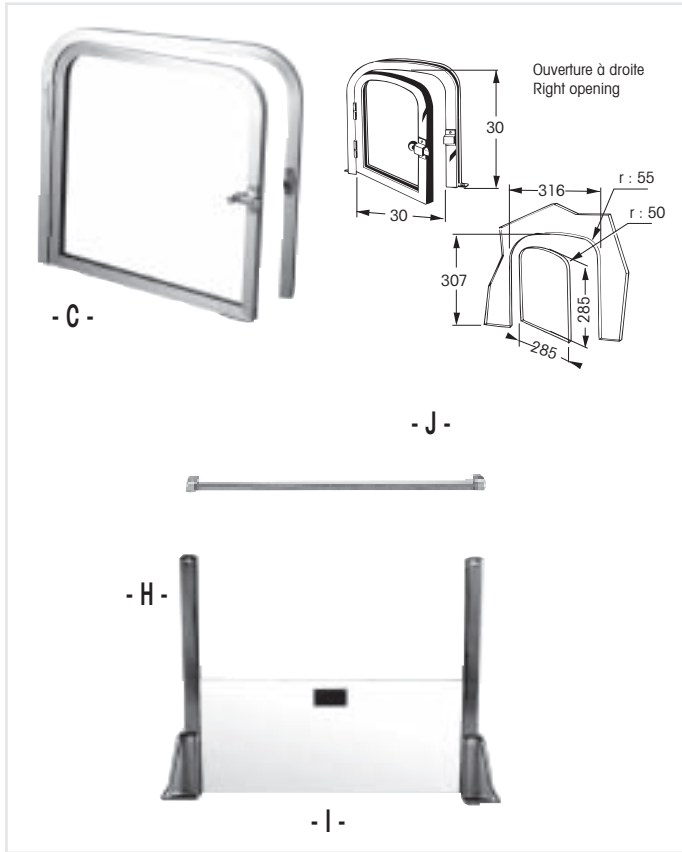


- A -	Rotary money hatch in natural shade anodized light alloy, mounted on ball bearings, with locking system.	651 19H
- B -	Armoured money hatch, natural shade and black PVC anodized aluminium lining, with mobile shutter preventing introduction of a small arm, for A4 format, with side acoustic boxes improving phonic transmission.	651 00M
- C - - D -	Armoured money hatch natural shade and black PVC anodized aluminium lining, for A4 and A3 formats ; references : Post Office and Treasury. small model (A4) large model (A3)	651 08V 651 05S
- E -	Armoured money hatch, lockable, natural shade and black PVC lining, with double drawer for transferring bags, boxes etc. Upper drawer mounted on telescopic slides.	651 06T



	<p>- A - —</p>	<p>Perforated altuglas speak hole in anodized light alloy frame, ø 230 mm for glass 6 mm thick, drilled hole ø 220 mm.</p> <p>Supervox with sealing membrane assembly screws for 10 mm thick glass</p>	<p>silver 652 50Z 652 56G</p>	
	<p>- B -</p>	<p>ADLER® brass spacer-clips for securing a glass disk thickness 6 to 8.8 mm on a glass thickness 6 to 14 mm (speak hole), without drilling.</p>	<p>chrome 652 58J</p> <p>brass 652 59K</p>	

652b - Hatch (Ticket Holes)



		Anodized aluminium cashier's hatch, for 8 mm thick glass, with gate and catch, opening 30 x 30 cm.	
- C -		LH opening	652 05A
		RH opening	652 06B
- D -		chrome	
		hatch without stop	652 30C
- E -		stop latch	652 29B
- F -		chrome	
			652 23V
- G -		chrome	
			652 25X
		mat chrome	
			652 27Z

		«Maat» hatch, anodized light-alloy mount. Altuglas shutter 8 mm thick with magnetic lock.	
- H -		silver	
		upright (opening in glass : 25 x 11 cm)	652 43S
		gold	
- H -		upright (opening in glass : 35 x 17,5 cm)	652 49Y
- I -			652 54D
		shutter (opening in glass : 25 x 11 cm)	
- I -		shutter (opening in glass : 35 x 17,5 cm)	652 55F
- J -		spacer 25 cm	652 38M
			—
- J -		spacer 35 cm	652 47W
			652 48X