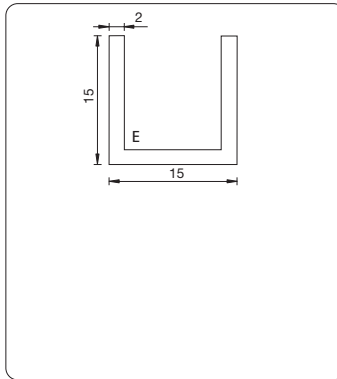
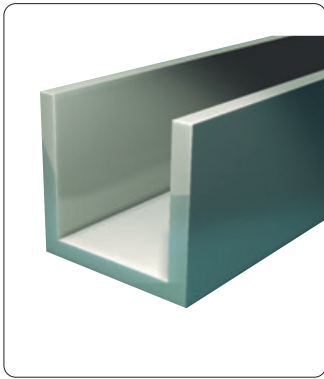




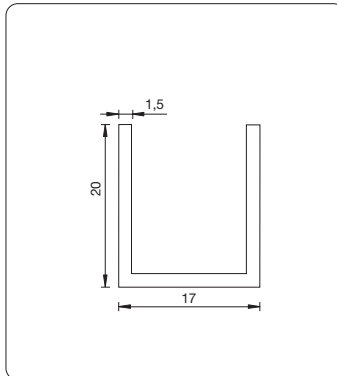
profiles

■ single components



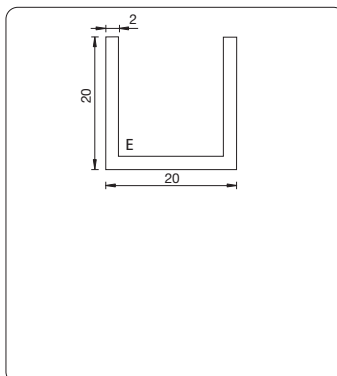
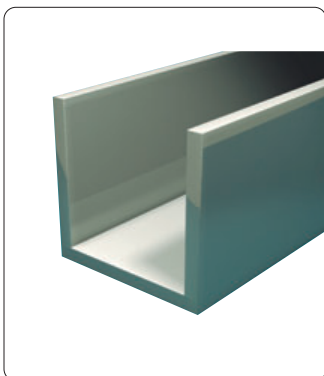
item no.: 5015	
u-profile	15 x 15 x 2500 x 2 mm
plate thickness:	≤ 11 mm
Material:	E = Aluminium

  
E3/50  
Simulated  
Polished  
Chrome



item no.: 5017	
u-profile	20 x 17 x 2500 x 1,5 mm
plate thickness:	≤ 14 mm
Material:	Aluminium

  
E3/50  
Simulated  
Polished  
Chrome



item no.: 5020	
u-profile	20 x 20 x 2500 x 2 mm
plate thickness:	≤ 16 mm
Material:	E = Aluminium

  
E3/50  
Simulated  
Polished  
Chrome