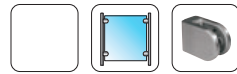


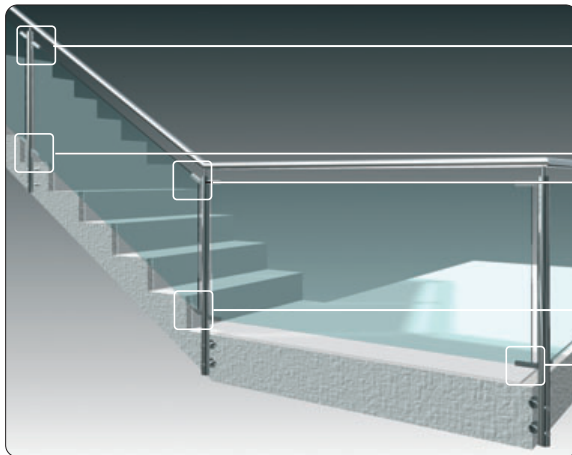
Balustrade Glazing with CP Mini



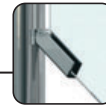
balustrade glazing with cp-mini



balustrade glazing with cp-mini for square tube



9424VA
cp-mini at the top
30°-41° angular



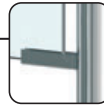
9422VA
cp-mini at the bottom R22
30°-41° angular



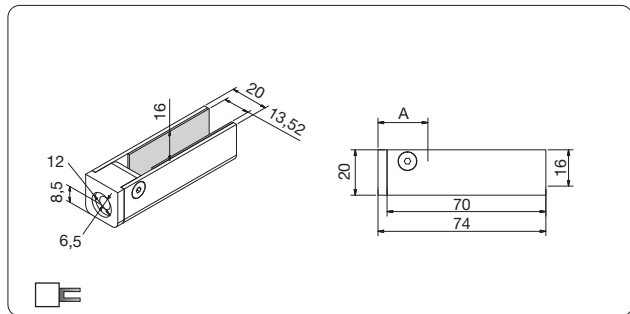
9423VA
cp-mini at the top
139°-150° angular



9421VA
cp-mini at the bottom R22
139°-150° angular

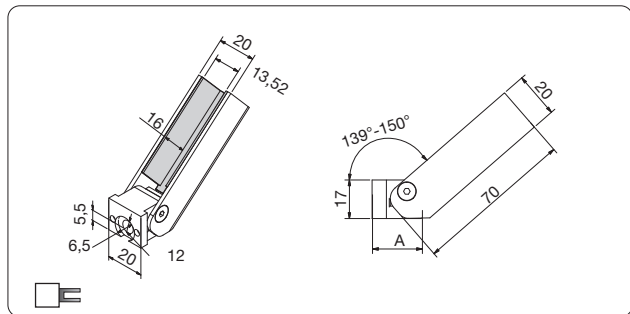


9420VA
180° straight



item no.	Material	Info	VSG			
9410VA	A2	180° straight	13,52 mm			

A = reduction measurement glass 24 mm/fastening screw DIN 6912 M6



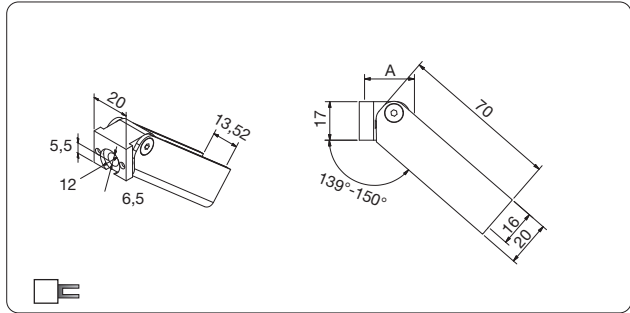
item no.	Material	Info	VSG			
9411VA	A2	139° - 150° angular	13,52 mm			

A = reduction measurement glass 24 mm/fastening screw DIN 6912 M6



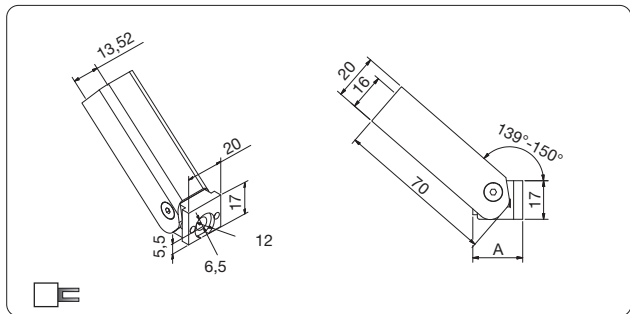
balustrade glazing with cp-mini

balustrade glazing with cp-mini for square tube



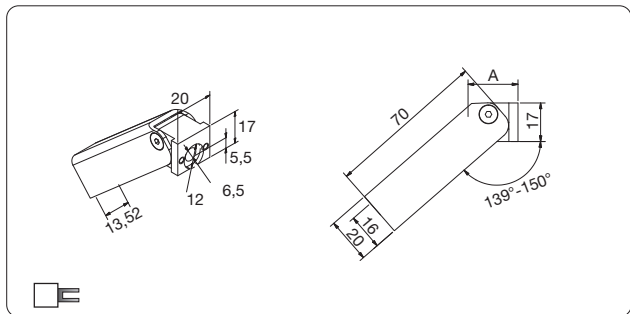
item no.	Material	Info	VSG			
9412VA	A2	30° - 41° angular	13,52 mm			

A = reduction measurement glass 24 mm/fastening screw DIN 6912 M6



item no.	Material	Info	VSG			
9413VA	A2	139° - 150° angular	13,52 mm			

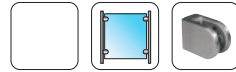
A = reduction measurement glass 24 mm/fastening screw DIN 6912 M6



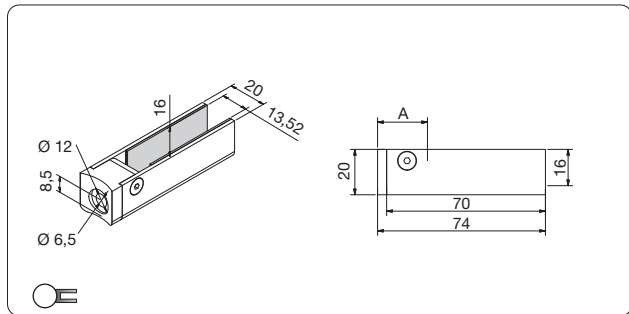
item no.	Material	Info	VSG			
9414VA	A2	30° - 41° angular	13,52 mm			

A = reduction measurement glass 24 mm/fastening screw DIN 6912 M6

balustrade glazing with cp-mini

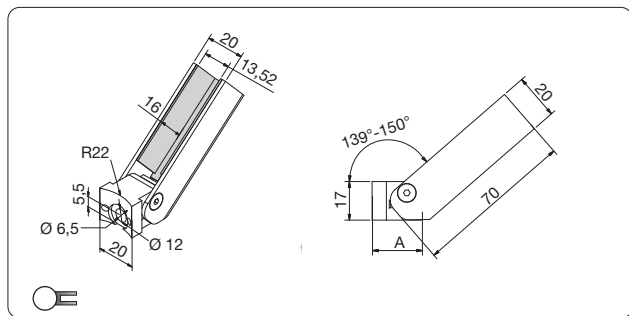


balustrade glazing with cp-mini for round tube



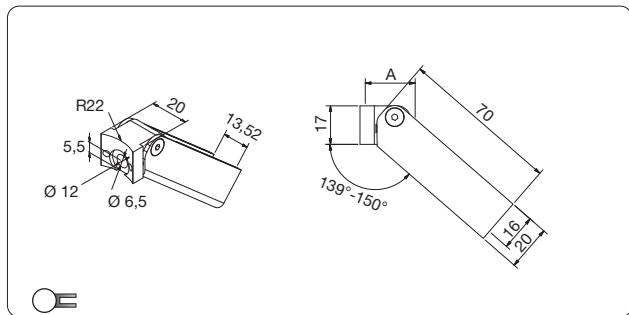
item no.	Material	Info	VSG	Key
9420VA	A2	180° straight	13,52 mm	R22

A = reduction measurement glass 24 mm/fastening screw DIN 6912 M6



item no.	Material	Info	VSG	Key
9421VA	A2	139° - 150° straight	13,52 mm	R22

A = reduction measurement glass 24 mm/fastening screw DIN 6912 M6



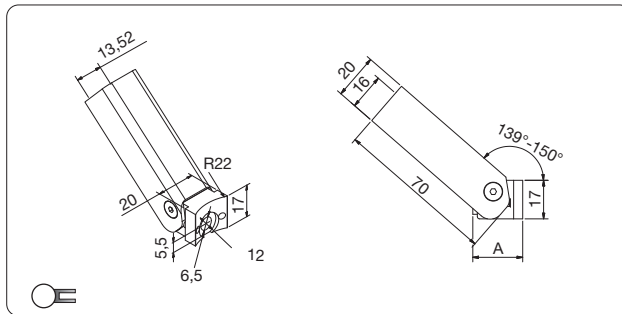
item no.	Material	Info	VSG	Key
9422VA	A2	30° - 41° angular	13,52 mm	R22

A = reduction measurement glass 24 mm/fastening screw DIN 6912 M6



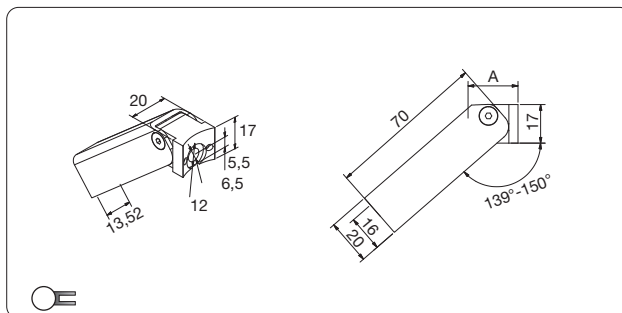
balustrade glazing with cp-mini

■ balustrade glazing with cp-mini for round tube



item no.	Material	Info	VSG		
9423VA	A2	139° - 150° angular	13,52 mm		

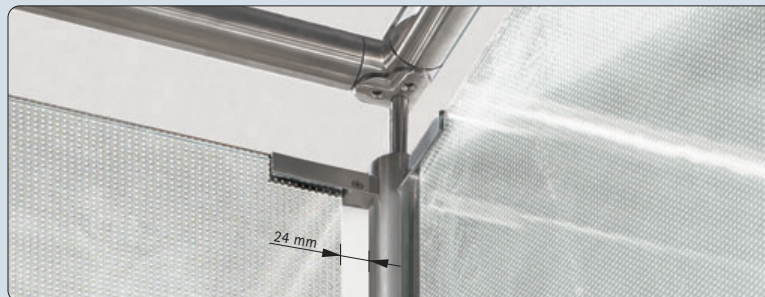
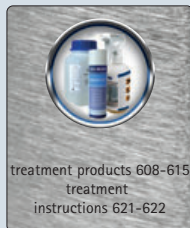
A = reduction measurement glass 24 mm/fastening screw DIN 6912 M6



item no.	Material	Info	VSG		
9424VA	A2	30° - 41° angular	13,52 mm		

A = reduction measurement glass 24 mm/fastening screw DIN 6912 M6

■ INFO



application cp-minis