

Balustrade Glazing according to TRAV

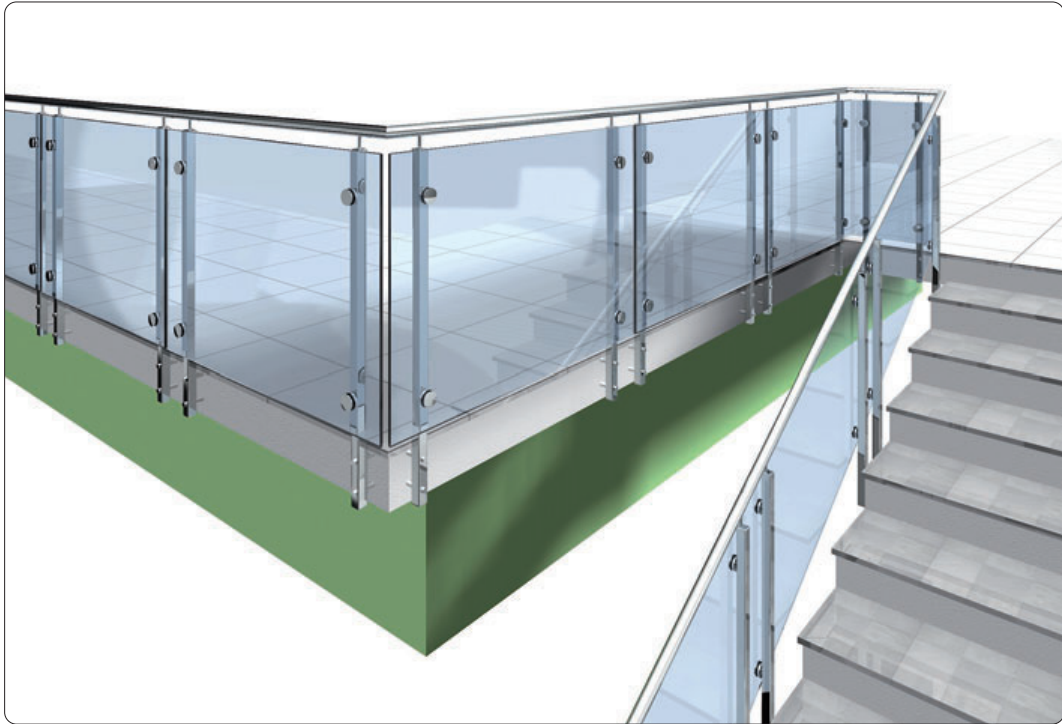


F2

balustrade glazing according to TRAV



- point fixings according to TRAV



- support systems with straps according to TRAV



item no.: 7035VA

For large projects, we can fabricate custom TRAV-arms for your individual needs. We can make you an offer with your own design.



item no.: 7031VA

PREFIT

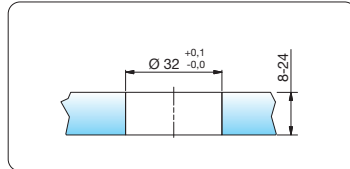
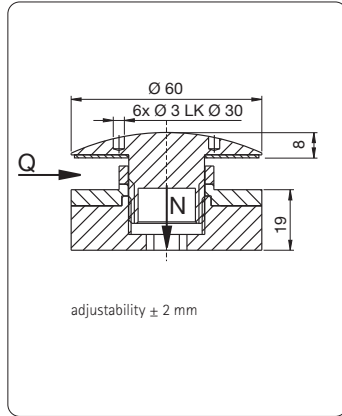
FITTINGS FOR GLASS

Balustrade Glazing according to TRAV

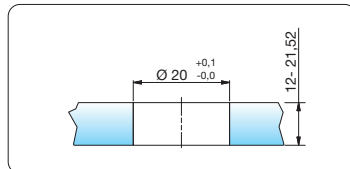
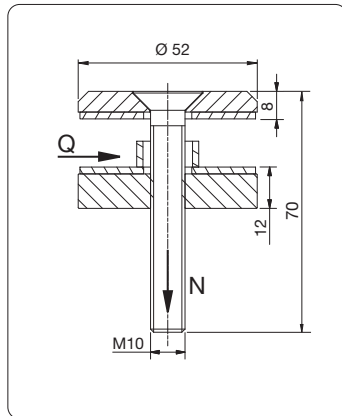


balustrade glazing according to TRAV

■ point fixing according to TRAV



item no.:	7016VA
point fixing (TRAV)	raised head
Material:	A2 (1.4301)
max. Q: 4,0 kN	max. N: 6,0 kN
7016VA	8 - 12 mm
7016VA-16	13 - 16 mm
7016VA-20	17 - 20 mm
7016VA-24	21 - 24 mm



item no.:	7078VA
point fixing (TRAV)	raised head
Material:	A2 (1.4301)
max. Q: 4,0 kN	max. N: 6,0 kN



*full-threaded screw

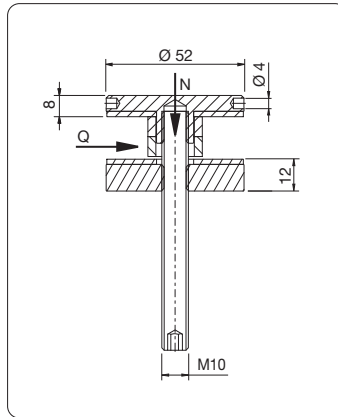
balustrade glazing according to TRAV



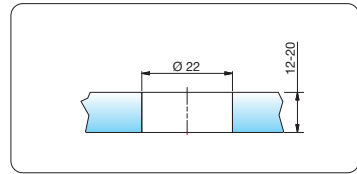
point fixings according to TRAV



accessories
Z060



includes
DIN913 M10 x 90 mm

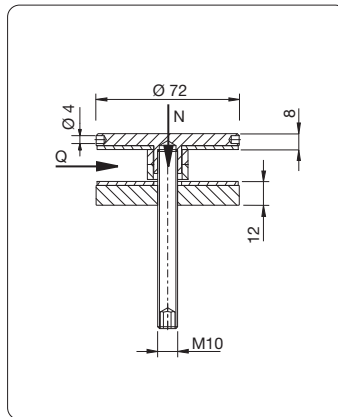


item no.: 7072VA

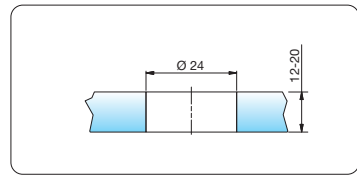
point fixing (TRAV)	raised head
head	: flach flat
Material:	A2 (1.4301)
max. Q:	4,0 kN
max. N:	6,0 kN



accessories
Z060



includes
DIN913 M10 x 90 mm



item no.: 7073VA

point fixing (TRAV)	raised head
head	: flach flat
Material:	A2 (1.4301)
max. Q:	4,0 kN
max. N:	6,0 kN

PREFIT

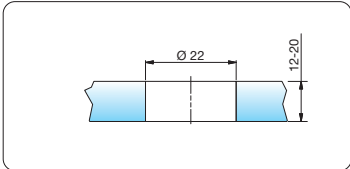
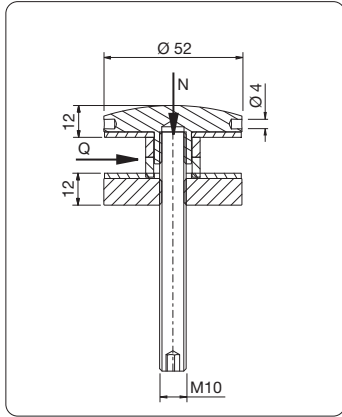
FITTINGS FOR GLASS

Balustrade Glazing according to TRAV



balustrade glazing according to TRAV

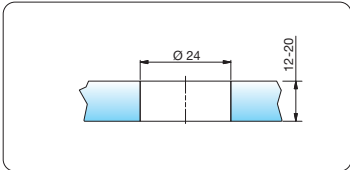
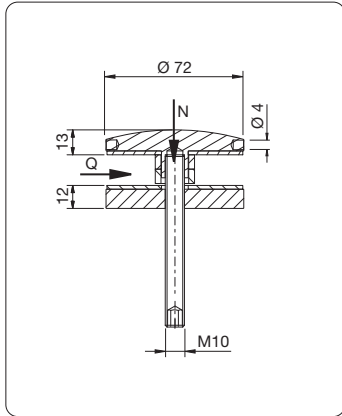
■ point fixings according to TRAV



item no.:	7076VA
point fixing (TRAV)	raised head
head	: rounded
Material:	A2 (1.4301)
max. Q:	4,0 kN
max. N:	6,0 kN

accessories
Z060

includes
DIN913 M10 x 90 mm



item no.:	7077VA
point fixing (TRAV)	raised head
head	: rounded
Material:	A2 (1.4301)
max. Q:	4,0 kN
max. N:	6,0 kN

accessories
Z060

includes
DIN913 M10 x 90 mm

■ INFO

