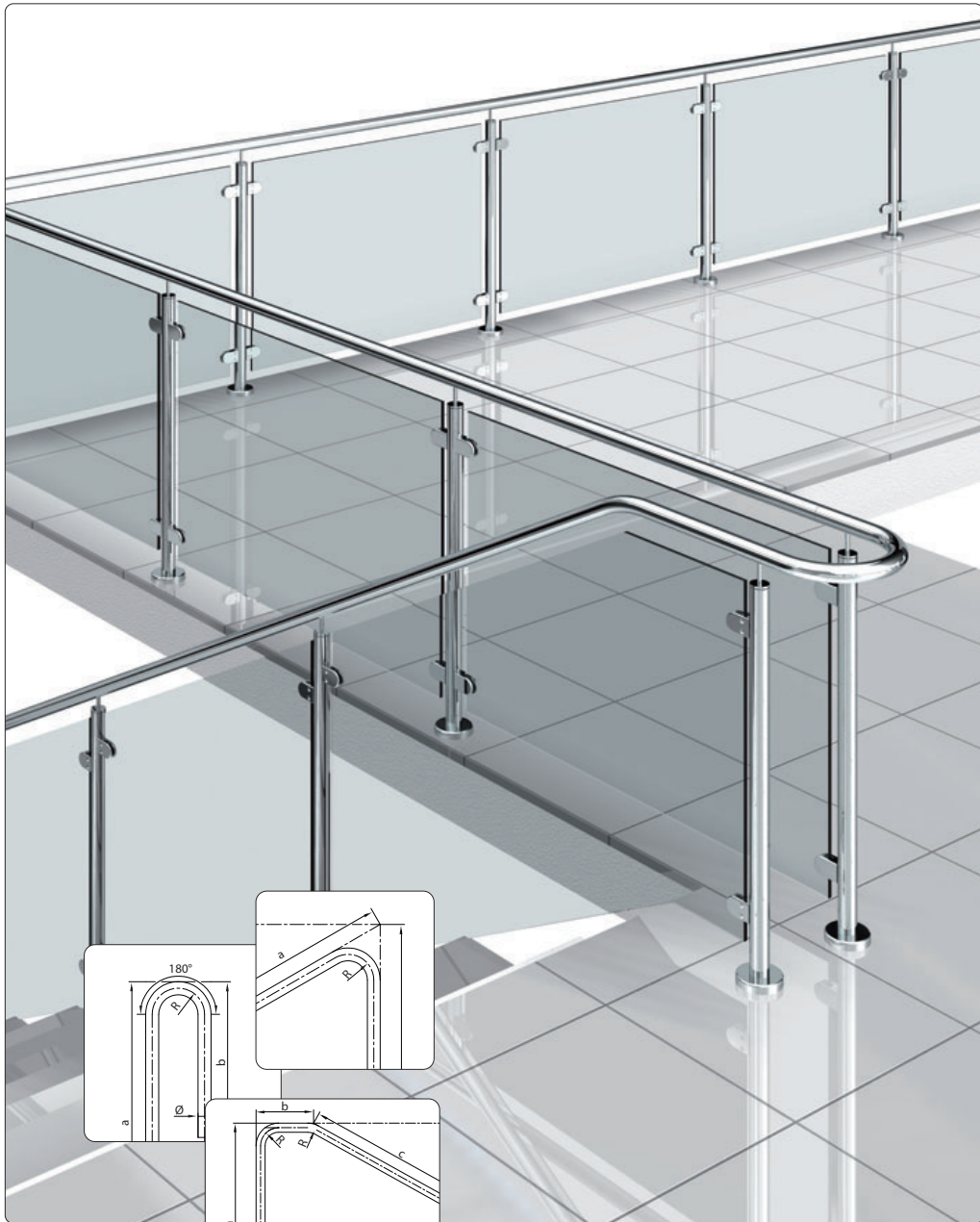


Bending Work Banisters & Frames

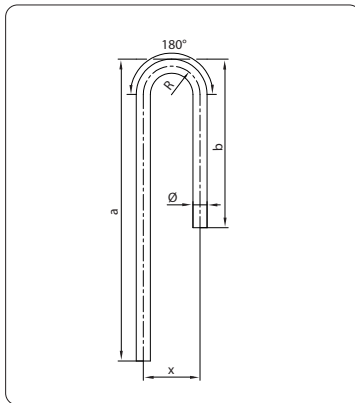


■ bending work / banisters & frames

bending work / banisters & frames

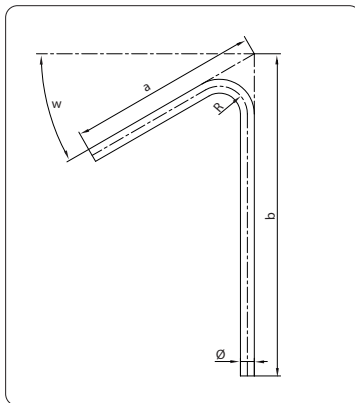


■ handrail bending work



design	Ø	R	X	304 (V2A)	316 (V4A)	units
	33,7 x 2,0	67	134	<input type="checkbox"/>	<input type="checkbox"/>	
a _____	42,4 x 2,0	85	170	<input type="checkbox"/>	<input type="checkbox"/>	
b _____	48,3 x 2,0	97	194	<input type="checkbox"/>	<input type="checkbox"/>	
	60,3 x 2,0	121	242	<input type="checkbox"/>	<input type="checkbox"/>	

- unground, i.e. tube is not reworked after processing
- regrind after bending, 240 grit



design	Ø	R	304 (V2A)	316 (V4A)	units
W _____ °	33,7 x 2,0	67	<input type="checkbox"/>	<input type="checkbox"/>	
a _____	42,4 x 2,0	85	<input type="checkbox"/>	<input type="checkbox"/>	
b _____	48,3 x 2,0	97	<input type="checkbox"/>	<input type="checkbox"/>	
	60,3 x 2,0	121	<input type="checkbox"/>	<input type="checkbox"/>	

- unground, i.e. tube is not reworked after processing
- regrind after bending, 240 grit

your data:

Name _____	phone _____
company _____	Fax _____
street _____	E-Mail _____
city _____	customer number _____

INFO

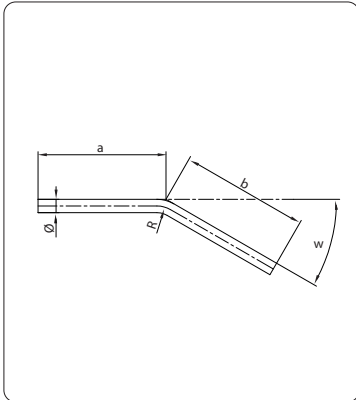
Dimensions are in millimetres. Please note when ordering!

Please copy, complete and fax at no charge to
Fax: 022 91/92 06-681



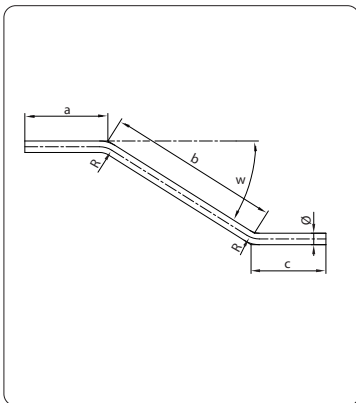
bending work / banisters & frames

■ handrail bending work



design	Ø	R	304 (V2A)	316 (V4A)	units
W _____ °	33,7 x 2,0	67	<input type="checkbox"/>	<input type="checkbox"/>	
a _____	42,4 x 2,0	85	<input type="checkbox"/>	<input type="checkbox"/>	
b _____	48,3 x 2,0	97	<input type="checkbox"/>	<input type="checkbox"/>	
	60,3 x 2,0	121	<input type="checkbox"/>	<input type="checkbox"/>	

- unground, i.e. tube is not reworked after processing
- regrind after bending, 240 grit



design	Ø	R	304 (V2A)	316 (V4A)	units
W _____ °	33,7 x 2,0	67	<input type="checkbox"/>	<input type="checkbox"/>	
a _____	42,4 x 2,0	85	<input type="checkbox"/>	<input type="checkbox"/>	
b _____	48,3 x 2,0	97	<input type="checkbox"/>	<input type="checkbox"/>	
c _____	60,3 x 2,0	121	<input type="checkbox"/>	<input type="checkbox"/>	

- unground, i.e. tube is not reworked after processing
- regrind after bending, 240 grit

your data :

Name _____ phone _____

company _____ Fax _____

street _____ E-Mail _____

city _____ customer number _____

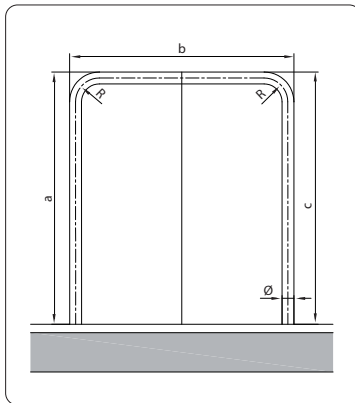
Please copy, complete and fax at no charge to
 Fax: 022 91/92 06-681

INFO
 Dimensions are in millimetres. Please note when ordering!

bending work / banisters & frames

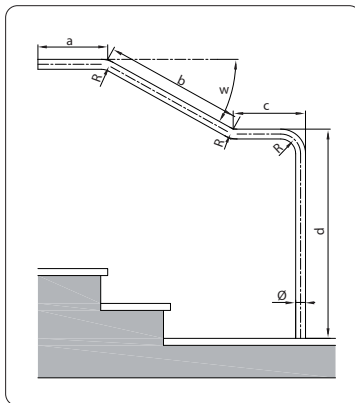


■ bending work



design	Ø	R	304 (V2A)	316 (V4A)	units
a _____	33,7 x 2,0	67	<input type="checkbox"/>	<input type="checkbox"/>	
b _____	42,4 x 2,0	85	<input type="checkbox"/>	<input type="checkbox"/>	
c _____	48,3 x 2,0	97	<input type="checkbox"/>	<input type="checkbox"/>	
_____	60,3 x 2,0	121	<input type="checkbox"/>		

- unground, i.e. tube is not reworked after processing
- regrind after bending, 240 grit



design	Ø	R	304 (V2A)	316 (V4A)	units
W _____ °	33,7 x 2,0	67	<input type="checkbox"/>	<input type="checkbox"/>	
a _____	42,4 x 2,0	85	<input type="checkbox"/>	<input type="checkbox"/>	
b _____	48,3 x 2,0	97	<input type="checkbox"/>	<input type="checkbox"/>	
c _____	60,3 x 2,0	121	<input type="checkbox"/>		
d _____					

- unground, i.e. tube is not reworked after processing
- regrind after bending, 240 grit

your data :

Name _____	phone _____
company _____	Fax _____
street _____	E-Mail _____
city _____	customer number _____

INFO

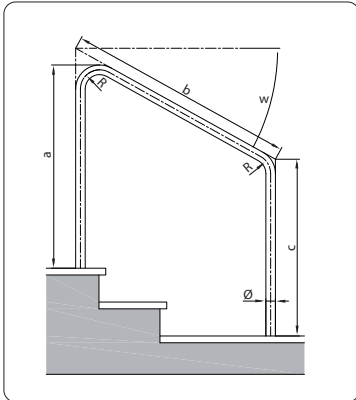
Dimensions are in millimetres. Please note when ordering!

Please copy, complete and fax at no charge to
Fax: 022 91/92 06-681



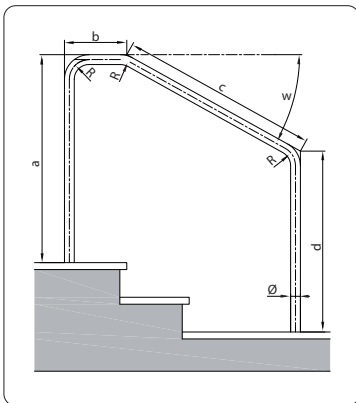
bending work / banisters & frames

■ bending work



design	Ø	R	304 (V2A)	316 (V4A)	units
W _____ °	33,7 x 2,0	67	<input type="checkbox"/>	<input type="checkbox"/>	
a _____	42,4 x 2,0	85	<input type="checkbox"/>	<input type="checkbox"/>	
b _____	48,3 x 2,0	97	<input type="checkbox"/>	<input type="checkbox"/>	
c _____	60,3 x 2,0	121	<input type="checkbox"/>		

- unground, i.e. tube is not reworked after processing
- regrind after bending, 240 grit



design	Ø	R	304 (V2A)	316 (V4A)	units
W _____ °	33,7 x 2,0	67	<input type="checkbox"/>	<input type="checkbox"/>	
a _____	42,4 x 2,0	85	<input type="checkbox"/>	<input type="checkbox"/>	
b _____	48,3 x 2,0	97	<input type="checkbox"/>	<input type="checkbox"/>	
c _____	60,3 x 2,0	121	<input type="checkbox"/>		
d _____					

- unground, i.e. tube is not reworked after processing
- regrind after bending, 240 grit

your data :

Name _____

phone _____

company _____

Fax _____

street _____

E-Mail _____

city _____

customer number _____

Please copy, complete and fax at no charge to
Fax: 022 91/92 06-681

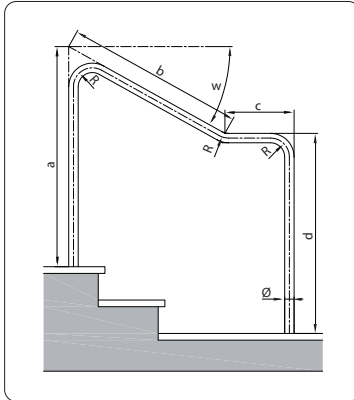
INFO

Dimensions are in millimetres. Please note when ordering!

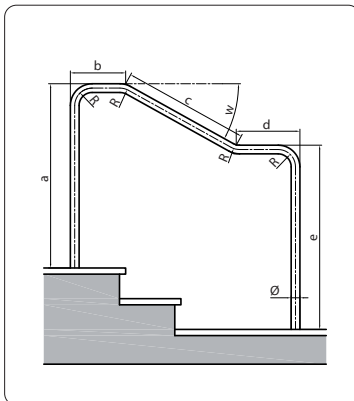
bending work / banisters & frames



■ bending work



design	Ø	R	304 (V2A)	316 (V4A)	units
W _____ °	33,7 x 2,0	67	<input type="checkbox"/>	<input type="checkbox"/>	
a _____	42,4 x 2,0	85	<input type="checkbox"/>	<input type="checkbox"/>	
b _____	48,3 x 2,0	97	<input type="checkbox"/>	<input type="checkbox"/>	
c _____	60,3 x 2,0	121	<input type="checkbox"/>		
d _____					
<input type="checkbox"/> unsanded i.e. tube is not reworked after processing					
<input type="checkbox"/> sanded after bending, 240 grit					



design	Ø	R	304 (V2A)	316 (V4A)	units
W _____ °	33,7 x 2,0	67	<input type="checkbox"/>	<input type="checkbox"/>	
a _____	42,4 x 2,0	85	<input type="checkbox"/>	<input type="checkbox"/>	
b _____	48,3 x 2,0	97	<input type="checkbox"/>	<input type="checkbox"/>	
c _____	60,3 x 2,0	121	<input type="checkbox"/>		
d _____					
e _____					
<input type="checkbox"/> unsanded i.e. tube is not reworked after processing					
<input type="checkbox"/> sanded after bending, 240 grit					

your data:

Name _____	phone _____
company _____	Fax _____
street _____	E-Mail _____
city _____	customer number _____

INFO

Dimensions are in millimetres. Please note when ordering!

Please copy, complete and fax at no charge to
 Fax: 022 91/92 06-681



spiral stair bending work

■ custom order sheet

Please copy, complete and fax at no charge to
Fax: 02291/9206-681

your data:

| customer number _____

| company _____

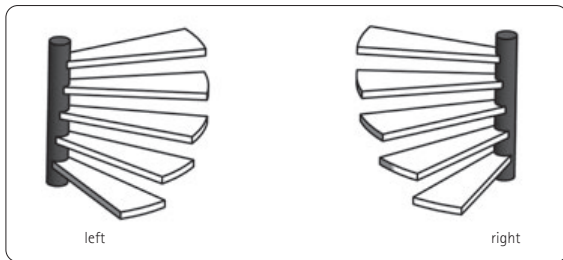
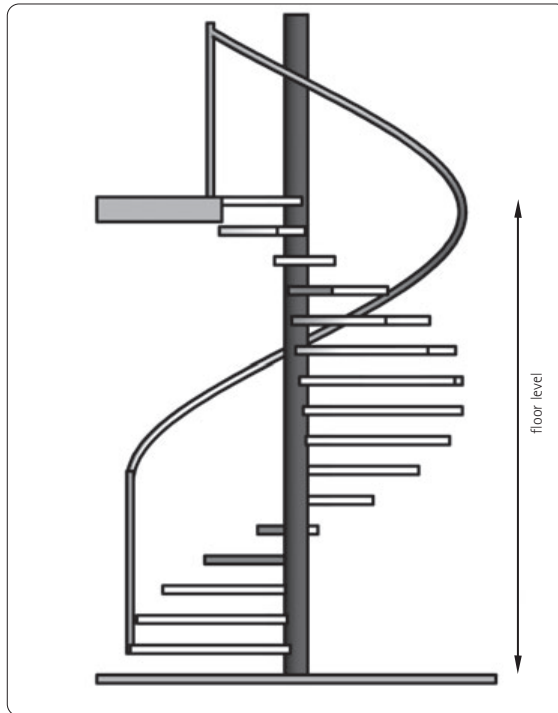
| contacts _____

| street _____

| city _____

| phone _____

E-Mail _____



Stairs parameters:
 (Please indicate all dimensions in mm)

- left
- right

| tube Ø _____

| floor level _____

| rise _____

| tread quantity _____

| tread width _____

| staircase radius _____

| material _____

| units _____

