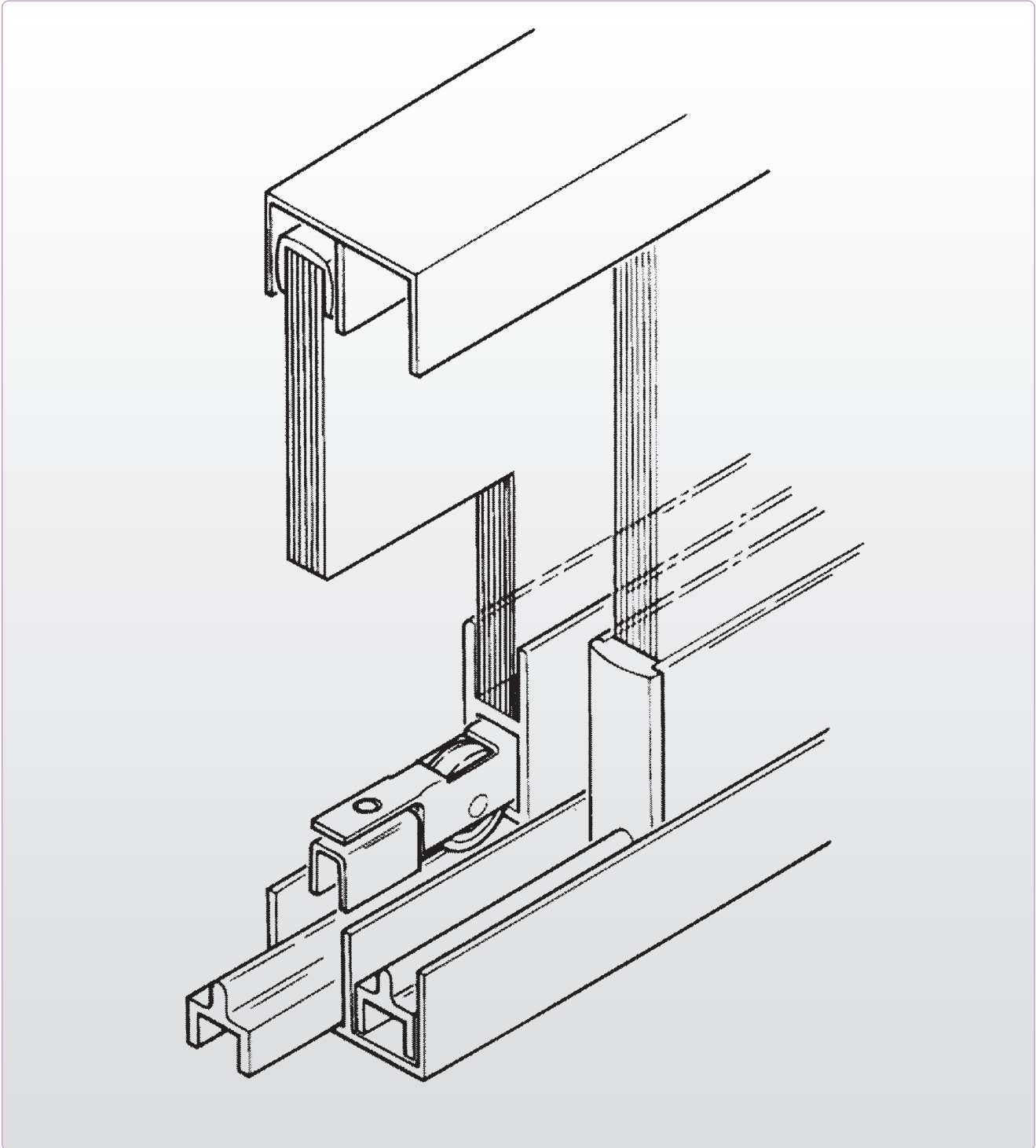
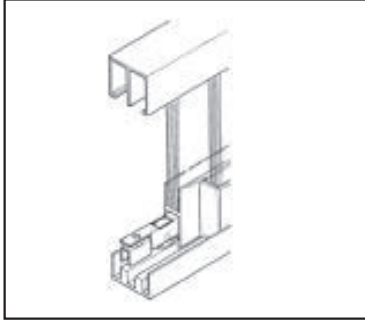


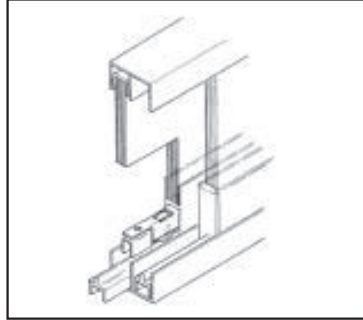
## Roller Tracks



Roller Track Range Summary Table

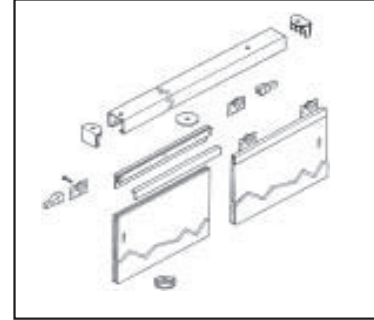


Material: brass  
 Decor: chrome, brass, aluminium grey,  
 black, bronze  
 Type of motion: steel rollers  
 Number of rails: 2  
 Glass thickness: 6mm to 8mm  
 Load kg/m (1): 22  
 Glass height (2): H-35mm



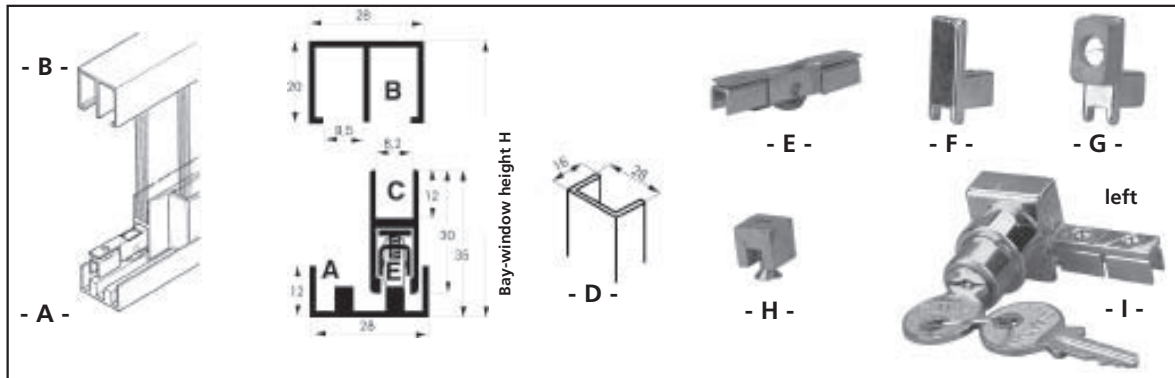
Material: aluminium  
 Decor: silver, gold anodised  
 Type of motion: steel rollers  
 Number of rails: 2  
 Glass thickness: 6mm to 8mm  
 Load kg/m (1): 22  
 Glass height (2): H-39mm

### 600-603 Roller Track



Material: aluminium  
 Decor: silver, gold anodised  
 Type of motion: suspended with plastic  
 rollers  
 Number of rails: 2  
 Glass thickness: 5mm to 10mm  
 Load kg/m (1): 40  
 Glass height (2): H-45mm

### 600-602 5a Brass Roller Track



Elements for brass roller tracks for sliding panel showcases, glass thickness 6mm to 8mm. System with steel rollers mounted on ball bearings

Ref.	Code	Finish		
A	602 01M	chrome	bottom track	per 4m
A	602 02N	brass	bottom track	per 4m
B	602 05R	chrome	upper track	per 4m
B	602 06S	brass	upper track	per 4m
C	602 09V	chrome	shoe section	per 4m
C	602 10W	brass	shoe section	per 4m
D	602 11X	chrome	section for support track (without felt)	per 4m
D	602 12Y	brass	section for support track (without felt)	per 4m

(Grey, black and bronze finishes, see 635a).

Elements for roller track to measure. Width of panels, see below. Invoicing of 10cm for chrome and brass finishes and 100cm for other finishes (200cm maximum). Cut lengths charged per metre

Ref.	Code	Finish		
E	600 35G		steel roller for shoe	
F	600 36H	chrome	end cap	
F	600 37J	brass	end cap	
G	600 40M	chrome	end stop with pad	
G	600 39L	brass	end stop with pad	
H	600 95W	chrome	rail stop	
H	600 96X	brass	rail stop	

Lock for shoe section, specify when ordering if all keys are different

Ref.	Code	Finish		
I	600 45S	nickel plated	various key numbers left-hand	
I	600 41N	gold	various key numbers left-hand	
	600 47U	nickel plated	various key numbers right-hand	
	600 43Q	gold	various key numbers right-hand	
I	600 50X	nickel plated	same key number left-hand	
I	600 48V	gold	same key number left-hand	
	600 51Y	nickel plated	same key number right-hand	
	600 49W	gold	same key number right-hand	

3 rollers per metre of shoe section

### 600-602 şc Aluminium Roller Track

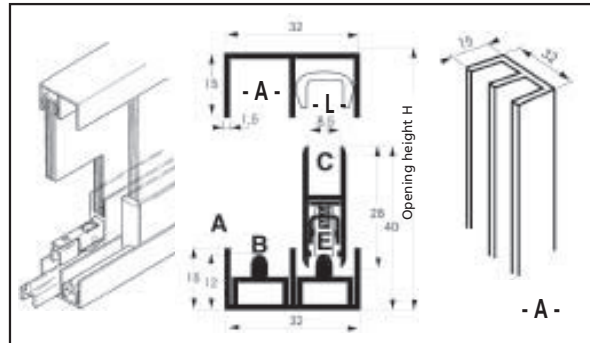
Note: finishes obtained by anodisation (other than natural) may vary slightly; this cannot be considered as a defect.  
Anodised aluminium roller track for sliding doors, 6mm to 8mm thick; system with steel rollers mounted on ball bearings

Ref.	Code	Finish		
A	600 42P	silver	lower track or side track (without felt)	per 5m
A	600 38K	gold	lower track or side track (without felt)	per 5m
B	600 44R	silver	rail	per 5m
B	600 46T	gold	rail	per 5m
C	600 73X	silver	shoe section	per 5m
C	600 75Z	gold	shoe section	per 5m

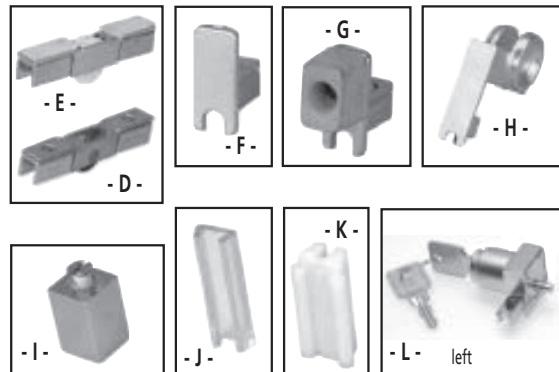
Cut lengths charged per metre

Ref.	Code	Finish		
A	602 59Z	silver	upper or lower track or side track	per 1m
A	602 60A	gold	upper or lower track or side track	per 1m
B	602 61B	silver	rail	per 1m
B	602 62C	gold	rail	per 1m
C	602 63D	silver	shoe section	per 1m
C	602 64F	gold	shoe section	per 1m

Ref.	Code	
A	600 23T	14mm self-adhesive felt tape for side track per 1m



Ref.	Code	
D	600 64N	steel roller for shoe section
E	603 14K	stainless steel and plastic roller
F	600 66Q	silver stop end cap
F	600 65P	gold stop end cap
G	600 77B	silver end with rubber pad
G	600 76A	gold end with rubber pad
H	600 97Y	silver grip end cap
H	600 98Z	gold grip end cap
I	600 93U	silver rail stop
I	600 94V	gold rail stop
J	600 67R	damper for 6mm glass
K	600 69T	damper for 8mm glass

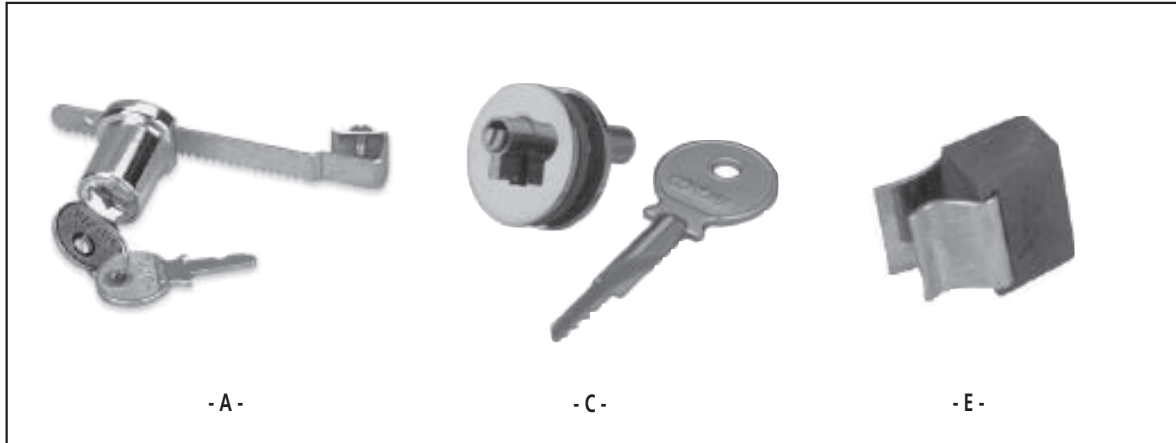


Safety lock for shoe section (fig. C); specify when ordering if all keys are different

Ref.	Code	
L	600 72W	silver various key numbers left
L	600 68S	gold various key numbers left
	600 74Y	silver various key numbers right
	600 70U	gold various key numbers right

Ref.	Code	
L	600 55C	silver same key number left
L	600 52Z	gold same key number left
	600 56D	silver same key number right
	600 53A	gold same key number right

### 600-602 §f Fittings for Roller Tracks



Removable ratchet lock with 2 keys for 6mm to 8mm glass panels, brass-plated metal (glass overlapping: 18mm to 70mm)

Ref.	Code	Finish	
A	600 82H	nickel-plated	various key numbers
A	600 84K	brass	various key numbers
A	600 83J	nickel-plated	same key number
A	600 85L	brass	same key number

Removable ratchet lock with 2 keys for 6mm glass (glass overlapping: 18mm to 105mm)

Ref.	Code	Finish	
A	600 80F	chrome	various key numbers

Lock for drilled glass, Ø 18mm; external Ø 25mm

Ref.	Code	Finish	
C	637 61G	chrome	same key number
C	637 60F	gold	same key number
C	637 59D	bronze	same key number

Anodised aluminium section, for 6mm glass panels

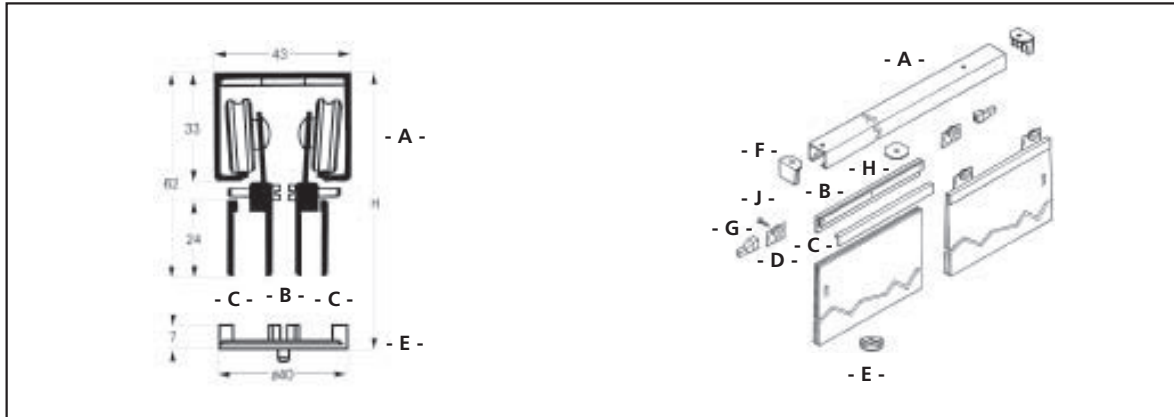
Rubber stops for fitting onto glass panel edge; nickel-plated clip

Ref.	Code
E	600 91S

Felt tape for side section, self-adhesive

Ref.	Code	Width in mm	
	600 23T	14	per 1m
	600 22S	25	per 1m

### 601 Suspended Roller Track



Notice: Finishes obtained by anodisation (other than natural) may vary slightly; this cannot be considered as a defect

Anodised light-alloy roller track for suspended sliding panels, 5mm to 10mm thick. System with plastic rollers on ball bearings. Shoe and strip bonded without notching

Ref.	Code	Finish		
A	601 18W	silver	track	per 5m
A	601 19X	gold	track	per 5m
B	601 20Y	silver	suspension shoe section	per 5m
B	601 21Z	gold	suspension shoe section	per 5m
C	601 22A	silver	flat strip section	per 5m
C	601 23B	gold	flat strip section	per 5m

Elements for roller track to measure.  
Cut lengths charged per metre

Ref.	Code	Finish		
A	601 03F	silver	track	per 1m
A	601 04G	gold	track	per 1m
B	601 05H	silver	suspension shoe section	per 1m
B	601 06J	gold	suspension shoe section	per 1m
C	601 07K	silver	flat strip section	per 1m
C	601 08L	gold	flat strip section	per 1m

Fittings for roller track 601

Ref.	Code	
D	601 11P	nylon roller
E	601 12Q	guide plate
F	601 13R	plastic catch
G	601 14S	limit stop
H	601 15T	tamper-proof plate
J	601 24C	screw stop - silver (1 screw per roller)
J	601 25D	screw stop - gold (1 screw per roller)

2 rollers per metre of shoe section.