

PREFIT

FITTINGS FOR GLASS

Shelf Brackets and Supports

Shelf Brackets & Supports
Tel: 020 8961 4777 Fax: 020 8961 4747

PREFIT
6mm to 10mm Glass

Model No. 2877 Finishes: ZN0, ZN1, ZN5, ZN7, ZN14, ZN19, ZN22. RAL Colours: VA1, VA2. Model: Glass support, 1 hole for fastening with M6 screw. On request available for round tubes! Extras: 2878, 5T8, 2879, Z090. Plastic screw to compensate for glass thickness.

Model No. 2883 Finishes: ZN0, ZN1, ZN5, ZN7, ZN14, ZN19, ZN22. RAL Colours. Model: Glass support, 1 hole for fastening with M6 screw. On request available for round tubes! Extras: 2878, 5T8, 2879, Z090. Plastic screw to compensate for glass level.

Model No. 2873 Finishes: ZN0, ZN1, ZN5, ZN7, ZN14, ZN19, ZN22. RAL Colours. Model: Round tube glass support for Ø 27mm - 33mm tube. 1 hole for fastening with M6 screw.

Model No. 2878 Finishes: 5T8. Model: Grubscrew M6x25 with 2 plastic washers and 1 plastic tube.

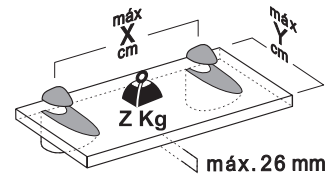
Model No. 2879 Finishes: VA1 = (ZN5), VA2 = (ZN22), VA7 = (ZN7), VA11 = (ZN1), VA14 = (ZN14), VA19 = (ZN19). RAL Colours. Model: Knurled thumb screw M5x16 with 2 plastic washers and 1 plastic tube.

www.prefit-fittings.com
e: sales@prefit-fittings.com
14 Sovereign Park, Coronation Road, London NW10 7QP
Prefit is a division of J. Preedy & Sons
Established 1913

For more products see other range catalogues on our website:

ISO 9001:2015

UKAS
MANAGEMENT
SYSTEMS
001



Ref. **2047**



x=30
y=20
z=20

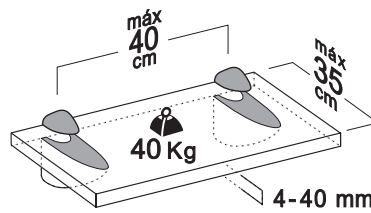
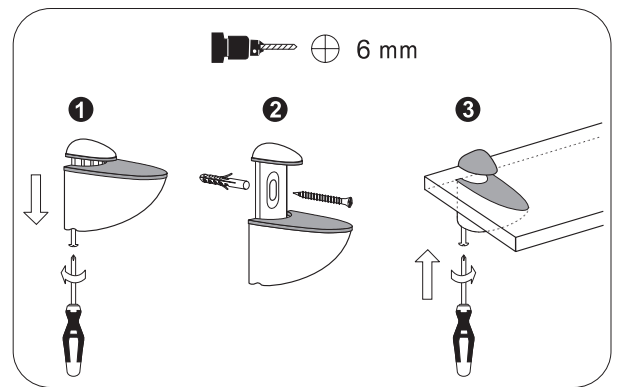
Ref. **2050**



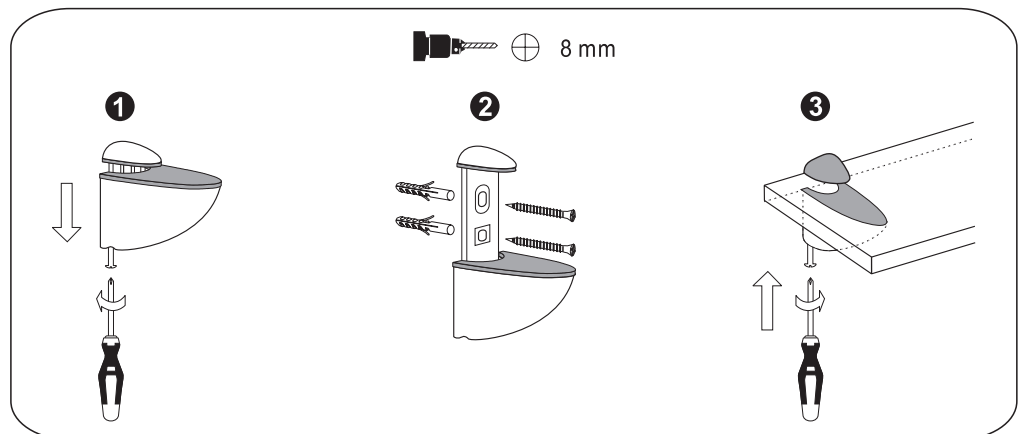
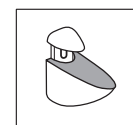
x=35
y=25
z=30



Finishes available:
PC - Polished Chrome
MNC - Matt Nickel Coated



Ref. **1053**



Finishes available:
PC - Polished Chrome
MNC - Matt Nickel Coated

For more products see other range catalogues on our website:

www.prefit-fittings.com
e: sales@prefit-fittings.com

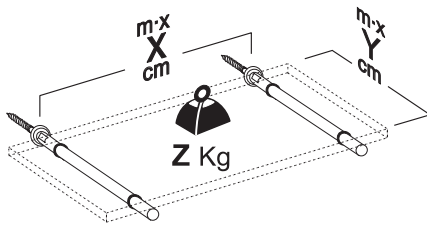
14 Sovereign Park, Coronation Road, London NW10 7QP

Prefit is a division of J.Preedy & Sons
Established 1913

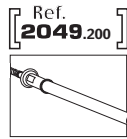


2049.150
2049.200

Tel: 020 8961 4777 Fax: 020 8961 4747



x= 40
y= 20
z= 40



x= 40
y= 25
z= 40



⊕ 12 mm

⊕ 10 mm

⊕ 9 mm

Finishes available:
PC - Polished Chrome
MNC - Matt Nickel Coated

For more products see
other range catalogues
on our website:

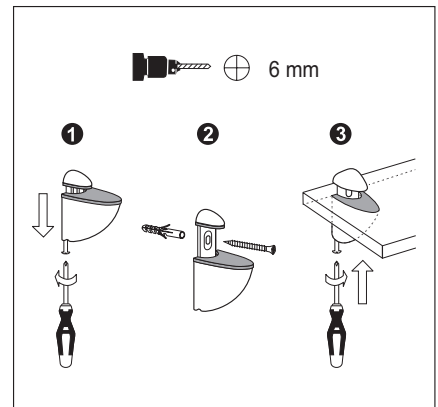
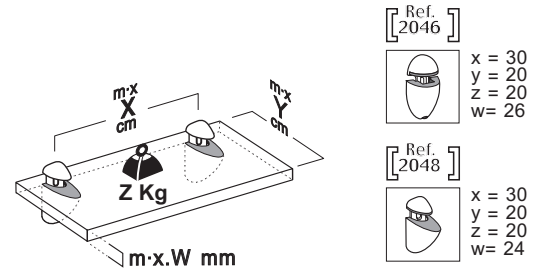
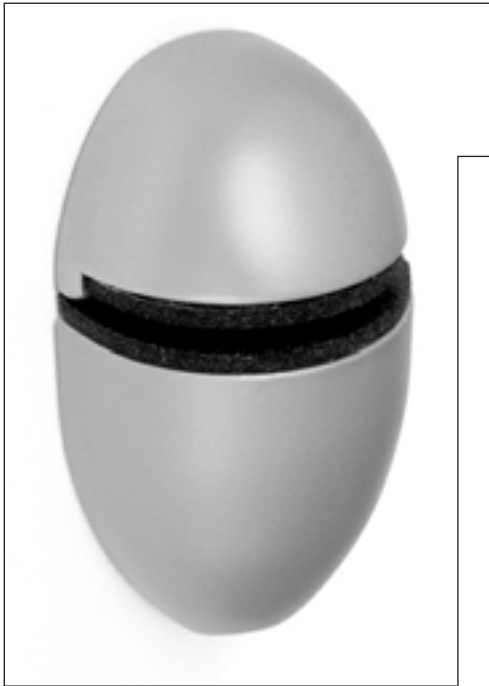
www.prefit-fittings.com
e: sales@prefit-fittings.com

14 Sovereign Park, Coronation Road, London NW10 7QP

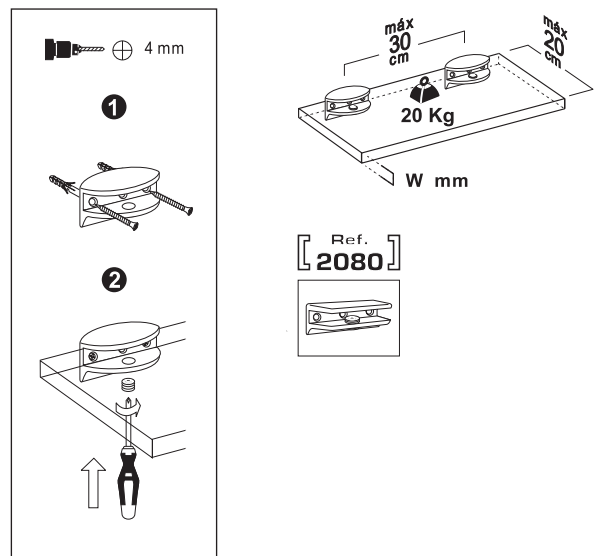
Prefit is a division of J.Preedy & Sons
Established 1913



2046
2048



2080



Finishes available:
PC - Polished Chrome
MNC - Matt Nickel Coated

For more products see
other range catalogues
on our website:

www.prefit-fittings.com
e: sales@prefit-fittings.com

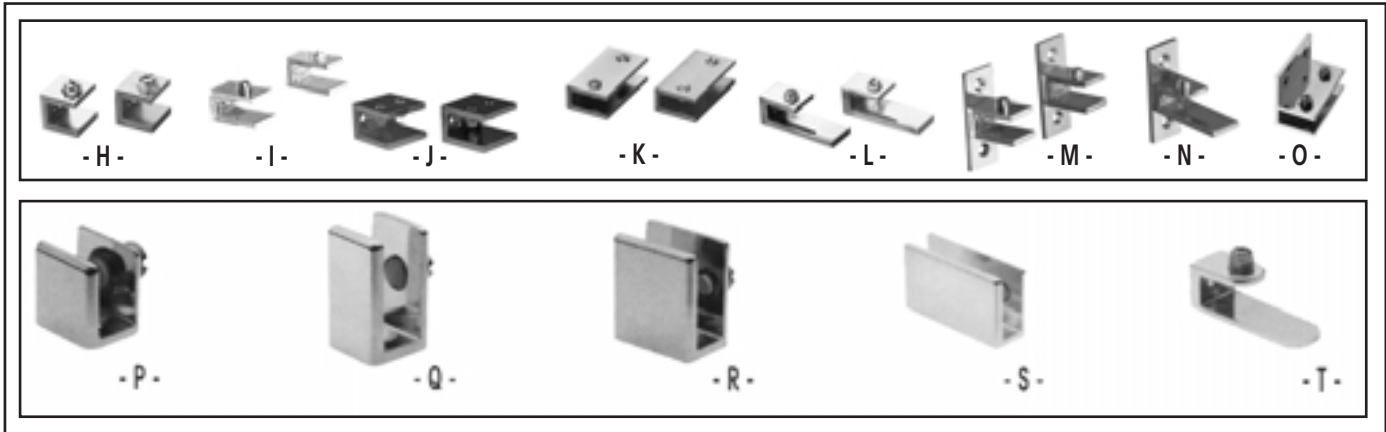
14 Sovereign Park, Coronation Road, London NW10 7QP

Prefit is a division of J.Preedy & Sons
Established 1913

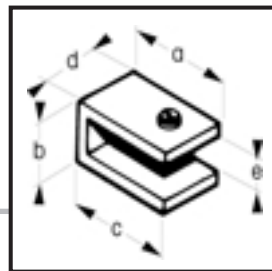


LRQ 0964 799

**630 Supports
with Tipped Screws**



Ref.	Code	Finish	e	a	b	c	d
H	630 01F	chrome	8	15	12	15	15
H	630 02G	brass	8	15	12	15	15
H	630 03H	chrome	10	16	16	16	16
H	630 04J	gold plated	10	16	16	16	16
H	630 48G	chrome	11 (-2)	15	15	15	15
H	630 49H	brass	11 (-2)	15	15	15	15
I	630 05K	chrome	10	27	16	27	16
I	630 06L	gold plated	10	27	16	27	16
J	630 07M	chrome	10	27	16	27	25
J	630 08N	gold plated	10	27	16	27	25
J	630 11R	chrome	12	27	19	27	25
J	630 12S	gold plated	12	27	19	27	25
K	630 09P	chrome	10	27	16	27	50
K	630 10Q	gold plated	10	27	16	27	50
K	630 13T	chrome	14	27	21	27	50
L	630 15V	chrome	9	23	16	45	16
L	630 16W	gold plated	9	23	16	45	16
M	630 19Z	chrome	10	27	16	27	16
M	630 20A	brass	10	27	16	27	16
N	630 21B	chrome	9	23	16	45	18
N	630 22C	brass	9	23	16	45	18
O	630 24F	chrome	10	27	16	27	50
O	630 23D	brass	10	27	16	27	50
P	630 61V	chrome	8	15	12	15	15
P	630 62W	gold plated	8	15	12	15	15
Q	630 63X	chrome	10	27	16	27	16
Q	630 64Y	gold plated	10	27	16	27	16
R	630 65Z	chrome	10	27	16	27	25
R	630 66A	gold plated	10	27	16	27	25
S	630 67B	chrome	10	27	16	27	50
S	630 68C	gold plated	10	27	16	27	50
T	630 69D	chrome	9	23	16	45	16
T	630 70F	gold plated	9	23	16	45	16



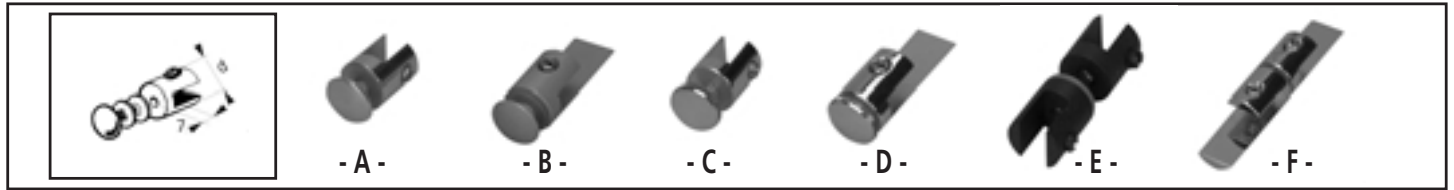
www.prefit-fittings.com
e: sales@prefit-fittings.com

14 Sovereign Park, Coronation Road, London NW10 7QP

Prefit is a division of J.Preedy & Sons
Established 1913

For more products see
other range catalogues
on our website:





Round knob brackets; cannot be removed from the outside, for fitting onto vertical glass panes, drilled to Ø 12mm. Tightening by means of tipped screws.

Brass clip brackets. Diameter Ø/(d), side and shelf: in mm

Ref.	Code	Finish	Ø(d)	side	shelf
A	632 40Q	chrome	20	6-8	6-8
A	632 41R	brass	20	6-8	6-8
A	632 42S	aluminium grey	20	6-8	6-8
A	632 43T	black	20	6-8	6-8
A	632 44U	bronze	20	6-8	6-8
A	632 45V	chrome	24	6-8	10-12
A	632 46W	brass	24	6-8	10-12
A	632 47X	aluminium grey	24	6-8	10-12
A	632 48Y	black	24	6-8	10-12
A	632 49Z	bronze	24	6-8	10-12

Brass long clip brackets (length: 50mm).
Diameter Ø/(d), side and shelf: in mm

Ref.	Code	Finish	Ø(d)	side	shelf
B	632 70X	chrome	20	6-8	6-8
B	632 71Y	brass	20	6-8	6-8
B	632 72Z	aluminium grey	20	6-8	6-8
B	632 73A	black	20	6-8	6-8
B	632 74B	bronze	20	6-8	6-8

Serrated knob brackets, to be fitted on vertical glass panes, drilled to dia. 8mm. Tightening by means of tipped-screws

Brass clip brackets. Diameter Ø/(d), side and shelf: in mm

Ref.	Code	Finish	Ø(d)	side	shelf
C	632 03Z	chrome	20	6.8	6-8
C	632 04A	brass	20	6-8	6-8
C	632 05B	chrome	24	10	10-12
C	632 06C	brass	24	10	10-12

Double brackets, to be fitted on vertical partition panes, drilled to Ø 8mm. Tightening by means of tipped screws

Brass double clip brackets.
Diameter Ø/(d), partition (par.) and shelf: in mm.

Ref.	Code	Finish	Ø(d)	side	shelf
E	632 23W	chrome	20	6-8	6-8
E	632 24X	brass	20	6-8	6-8
E	632 57J	aluminium grey	20	6-8	6-8
E	632 58K	black	20	6-8	6-8
E	632 59L	bronze	20	6-8	6-8
E	632 25Y	chrome	24	10	10-12
E	632 26Z	brass	24	10	10-12
E	632 62P	aluminium grey	24	10	10-12
E	632 63Q	black	24	10	10-12
E	632 64R	bronze	24	10	10-12

brass long clip brackets (length: 50mm).
Diameter Ø/(d), side and shelf: in mm

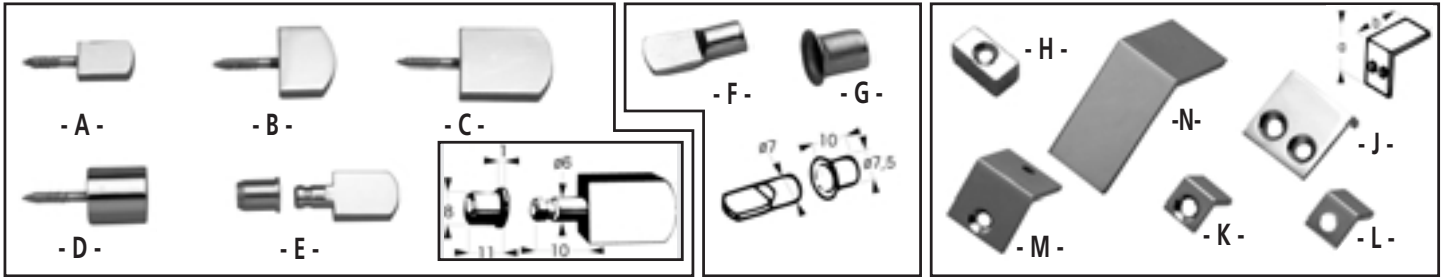
Ref.	Code	Finish	Ø(d)	side	shelf
D	632 07D	chrome	20	6-8	6-8
D	632 08F	brass	20	6-8	6-8

Brass long double clip brackets, (length: 50mm).
Diameter Ø/(d), partition (par.) and shelf: in mm.

Ref.	Code	Finish	Ø(d)	side	shelf
F	632 27A	chrome	20	6-8	6-8
F	632 28B	brass	20	6-8	6-8
F	632 77F	aluminium grey	20	6-8	6-8
F	632 78G	black	20	6-8	6-8
F	632 79H	bronze	20	6-8	6-8

660-662

Shelf Supports and Angle Plates



Brass brackets with wood thread

Ref.	Code	Finish	
A	660 01R	chrome	flat 15mm x 10mm, screw 15mm
A	660 02S	brass	flat 15mm x 10mm, screw 15mm
B	660 03T	chrome	flat 15mm x 20mm, screw 20mm
B	660 04U	brass	flat 15mm x 20mm, screw 20mm
C	660 07X	chrome	flat 25mm x 20mm, screw 20mm
C	660 08Y	brass	flat 25mm x 20mm, screw 20mm
D	660 20M	chrome	cylindrical 15mm x 15mm, screw 20mm
D	660 21N	brass	cylindrical 15mm x 15mm, screw 20mm

Brass brackets with sockets, 17mm x 13mm

Ref.	Code	Finish
E	660 22P	chrome
E	660 23Q	brass

Brass sockets alone, for above brackets and swivel clips (630)

Ref.	Code	Finish
	660 30X	rough
	660 31Y	hot-tinned

Steel brackets

Ref.	Code	Finish
F	660 24R	nickel-plated
F	660 25S	brass-plated

Sockets for above brackets

Ref.	Code	Finish
G	660 26T	nickel-plated
G	660 27U	brass-plated

Brass brackets square 8mm. Length 15mm. With woodscrews

Ref.	Code	Finish
H	660 32Z	chrome
H	660 33A	brass

Chromium-plated brass angle plates, two holes drilled on one arm. With woodscrews

Ref.	Code	Arm in mm	Width x thickness in mm
J	662 10T	20 X 10	20 X 2
J	662 22G	25 X 10	20 X 1.5
J	662 24J	30 X 30	10 X 1.5

Chromium-plated brass angle plates, drilled on one arm, internal or external milling. With woodscrews

1.5mm thick			
Ref.	Code	Arms in mm a x b	Width in mm
K	662 01J	10 X 10	10
K	662 04M	15 X 15	15
K	662 16Z	20 X 20	20
K	662 18B	25 X 10	10
K	662 20D	25 X 10	15
K	662 23H	30 X 10	10

2mm thick			
Ref.	Code	Arms in mm a x b	Width in mm
K	662 06P	20 X 10	10
K	662 12V	20 X 10	20
K	662 14X	20 X 15	15

1.5mm thick			
Ref.	Code	Arms in mm a x b	Width in mm
L	662 34U	15 X 15	15
L	662 44F	20 X 20	20
L	662 46H	25 X 10	10

2mm thick			
Ref.	Code	Arms in mm a x b	Width in mm
L	662 36W	20 X 10	10

Brass angle plates, 1.5mm thick, 2 drilled arms, reverse milling. With woodscrews

Ref.	Code	Finish	
M	662 48K	brass	20mm x 20mm x 20mm

Brass angle plates, 40mm x 40mm x 3mm, width 20mm, not drilled

Ref.	Code	Finish
N	662 61Y	chrome

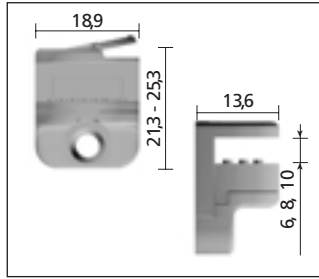


**Shelf Supports
for 6mm to 10mm Glass**



2867

Model No. Finishes
2867 ZN23
2868

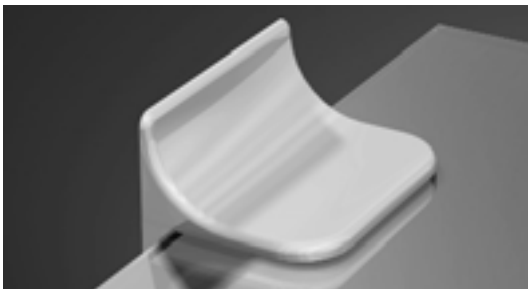
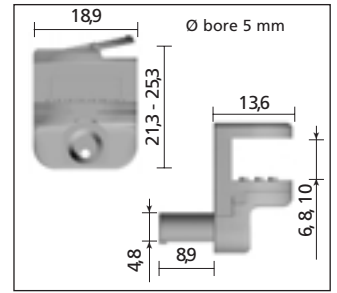


Model
Glass shelf support, adjustable by grooved slots with wood screw 3 x 9mm

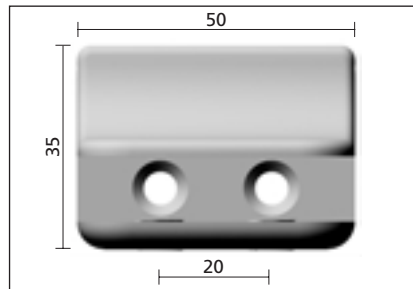
Glass shelf support with 1 pin, adjustable by grooved slots.
The pin will be secured by built-in anchorage



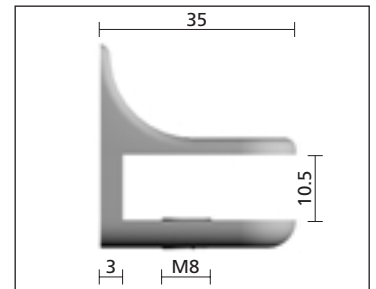
2868



Model No. Finishes
2875 ZN1, ZN5
ZN7, ZN14
ZN19, ZN22

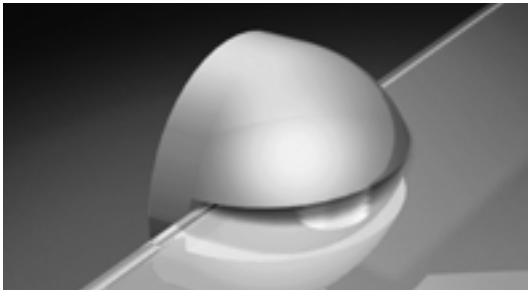


Model
Glass support, 2 holes Ø 5.5mm for fastening countersunk head screws

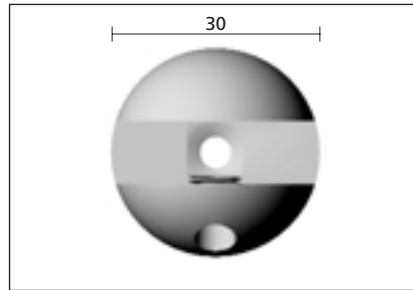


Plastic screw to compensate for glass thickness

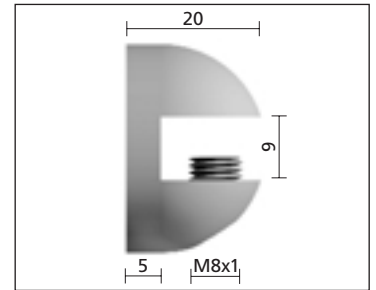
6mm to 8mm Glass



Model No. Finishes
2876 MS7, MS14
MS15

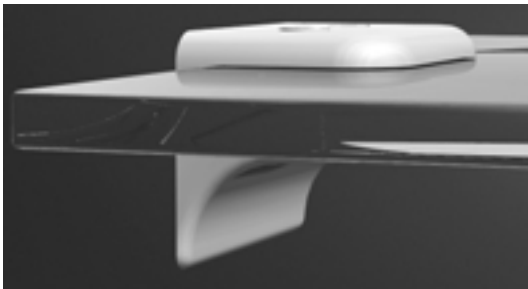


Model
Glass support, 1 hole Ø 4.5mm for fastening countersunk head screws

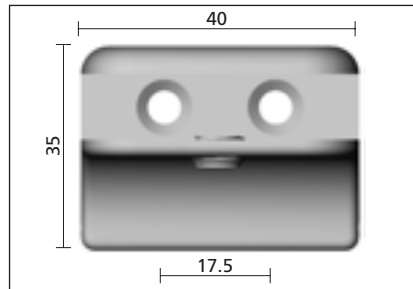


Plastic screw to compensate for glass thickness

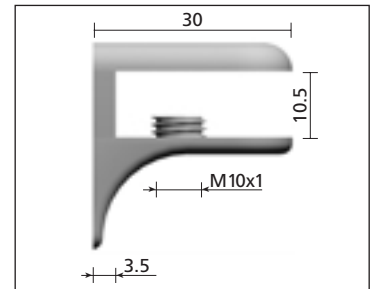
6mm to 10mm Glass



Model No. Finishes
2885 ZN0, ZN1, ZN5, ZN7
ZN14, ZN19, ZN22
RAL Colours, VA1, VA2



Model
Glass support, 2 holes Ø 4.5mm for fastening countersunk head screws



Extras
Z090 Plastic screw to compensate for glass thickness

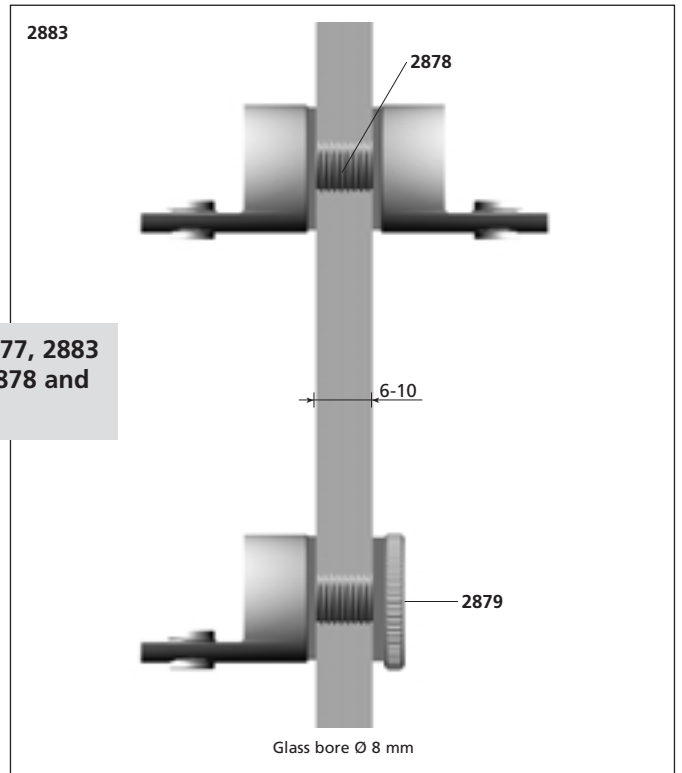
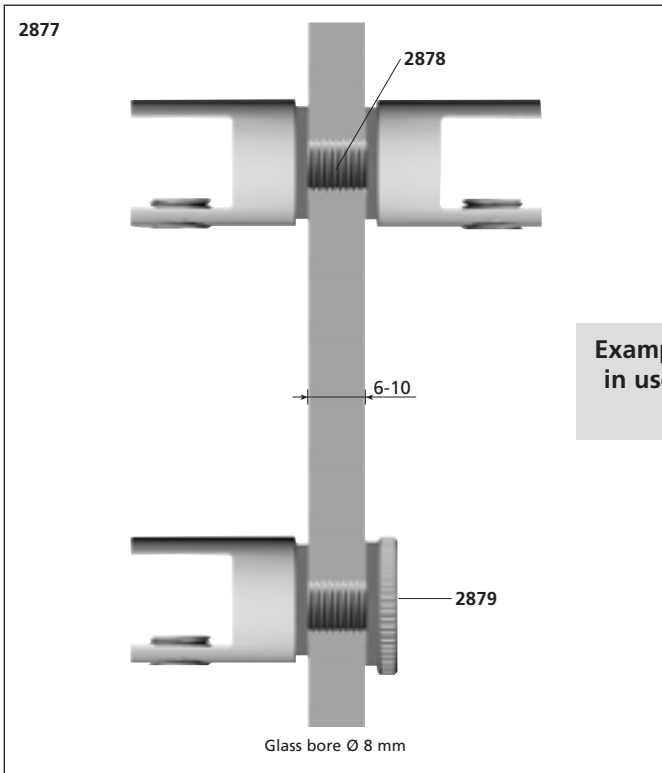
www.prefit-fittings.com
[e: sales@prefit-fittings.com](mailto:sales@prefit-fittings.com)

14 Sovereign Park, Coronation Road, London NW10 7QP

Prefit is a division of J.Preedy & Sons
Established 1913

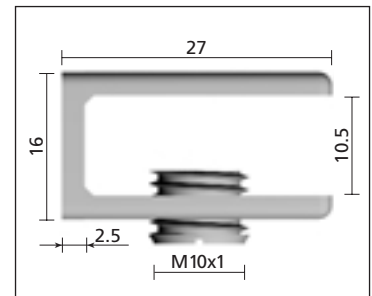
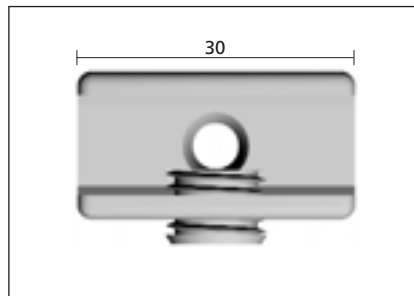
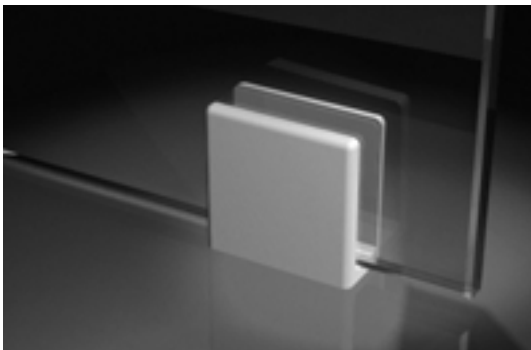
For more products see other range catalogues on our website:





Example of 2877, 2883 in use with 2878 and 2879

6mm to 10mm Glass

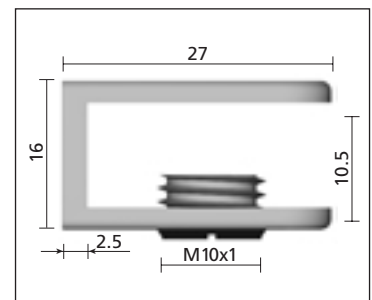
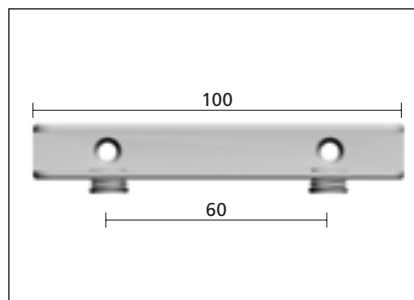


Plastic screw to compensate for glass thickness

Model No. 2880
Finishes ZN0, ZN1, ZN5, ZN7, ZN14, ZN19, ZN22, RAL Colours, VA1, VA2

Model Glass support, 1 hole Ø 4.5mm for fastening countersunk head screw

Extras Z090



Model No. 2881
Finishes ZN0, ZN1, ZN5, ZN7, ZN14, ZN19, ZN22, RAL Colours, VA1, VA2

Model Glass support, 2 holes Ø 4.5mm for fastening countersunk head screw

Extras Z090

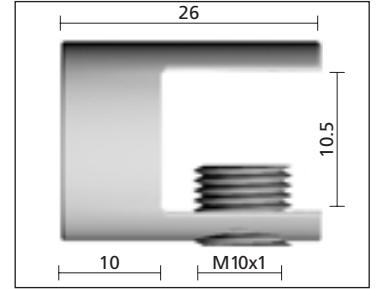
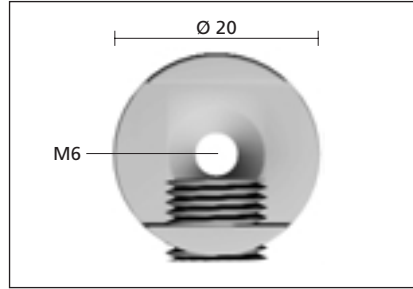
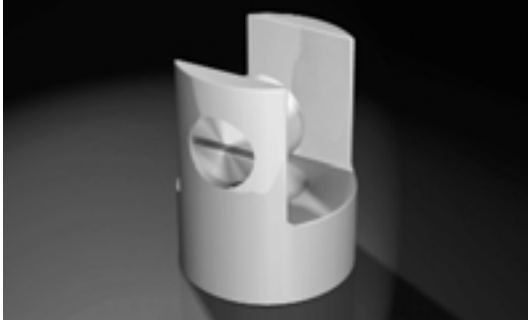
www.prefit-fittings.com
e: sales@prefit-fittings.com

14 Sovereign Park, Coronation Road, London NW10 7QP

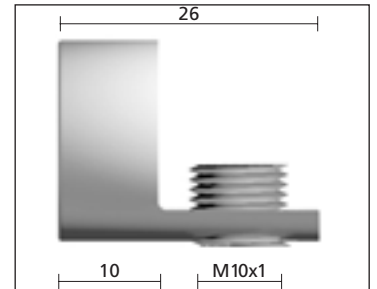
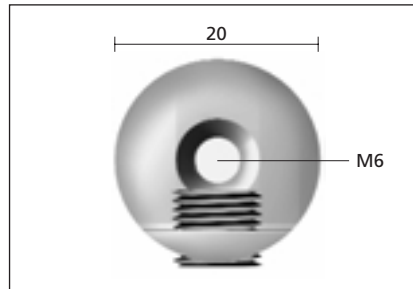
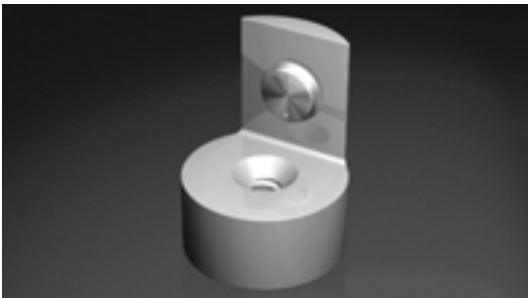
Prefit is a division of J.Preedy & Sons
 Established 1913

For more products see other range catalogues on our website:

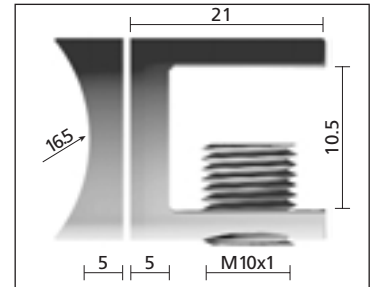
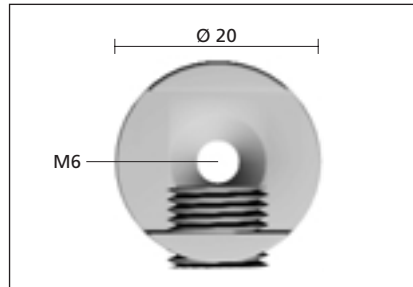
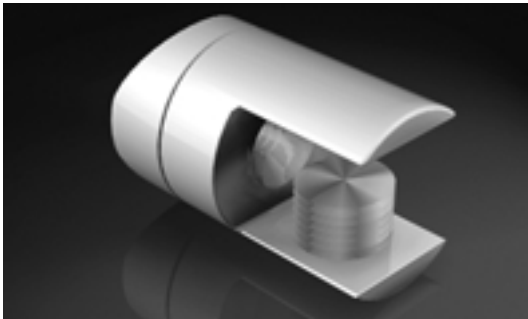




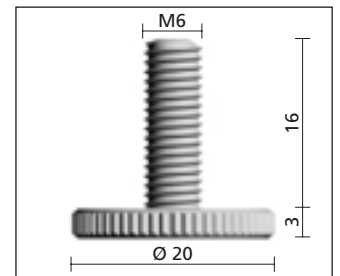
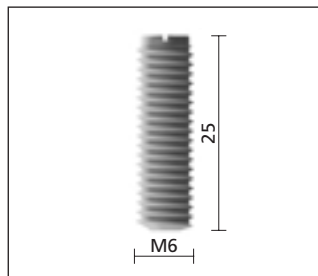
Model No. 2877	Finishes ZN0, ZN1, ZN5, ZN7 ZN14, ZN19, ZN22 RAL Colours, VA1, VA2	Model Glass support, 1 hole for fastening with M6 screw. On request available for round tubes!	Extras 2878 ST8 2879 Z090 Plastic screw to compensate for glass thickness
--------------------------	--	--	---



Model No. 2883	Finishes ZN0, ZN1, ZN5 ZN7, ZN14 ZN19, ZN22 RAL Colours	Model Glass support, 1 hole for fastening with M6 screw. On request available for round tubes!	Extras 2878 ST8 2879 Z090 Plastic screw to compensate for glass level
--------------------------	--	--	---



Model No. 2873	Finishes ZN0, ZN1, ZN5 ZN7, ZN14 ZN19, ZN22 - RAL Colours	Model Round tube glass support for Ø 27mm - 33mm tube 1 hole for fastening with M6 screw
--------------------------	---	---



Model No. 2878	Finishes ST8	Model Grubscrew M6x25 with 2 plastic washers and 1 plastic tube	Model No. 2879	Finishes VA1 = (ZN5), VA2 = (ZN22) VA7 = (ZN7), VA11 = (ZN1) VA14 = (ZN14), VA19 = (ZN19) RAL Colours	Model Knurled thumb screw M6x16 with 2 plastic washers and 1 plastic tube
--------------------------	------------------------	--	--------------------------	--	--

www.prefit-fittings.com
e: sales@prefit-fittings.com

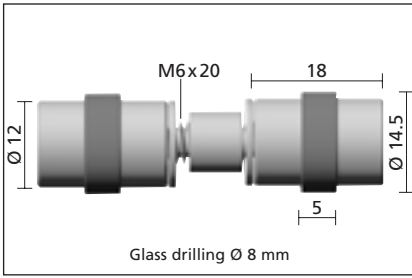
14 Sovereign Park, Coronation Road, London NW10 7QP

Prefit is a division of J.Preedy & Sons
Established 1913

For more products see
other range catalogues
on our website:



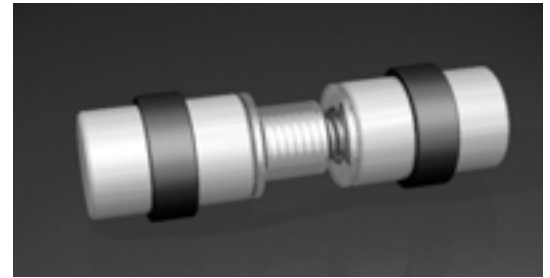
LRQ 0964 799



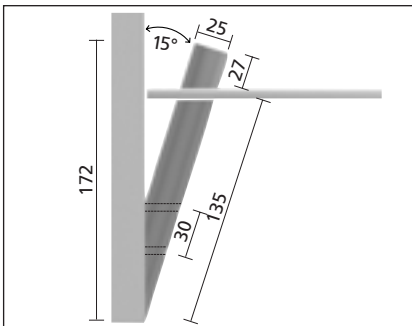
Model No. 2889
Finishes MS0 MS5

Model Glass shelf support, two-sided rubber support, 1 grub screw, 2 plastic washers and 1 plastic tube

Glass drilling Ø 8mm

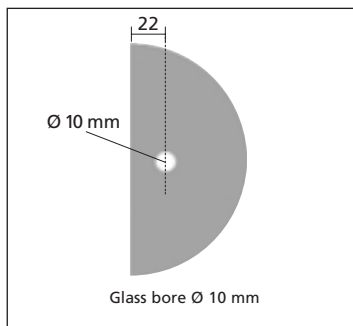


6mm to 12mm Glass

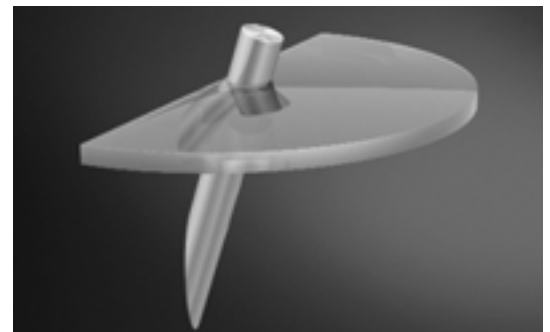


Model No. 10000
Finishes VA2

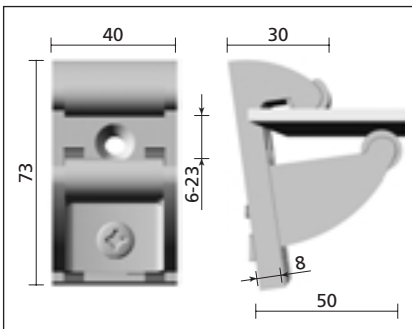
Model Glass support Archia, 2 fastening holes Ø 6mm for screws, 2 plastic washers, 1 cylinder head screw M5x35, 2 aluminium cores, 1 stainless steel cap, 1 stainless steel sleeve



Glass bore Ø 10 mm



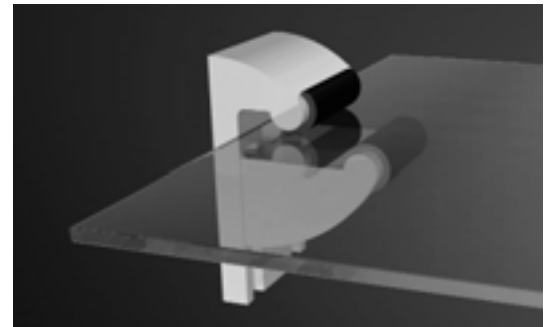
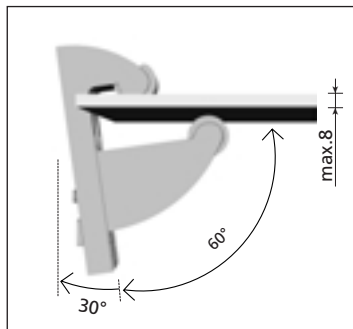
6mm to 23mm Glass



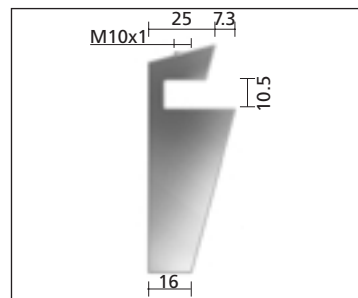
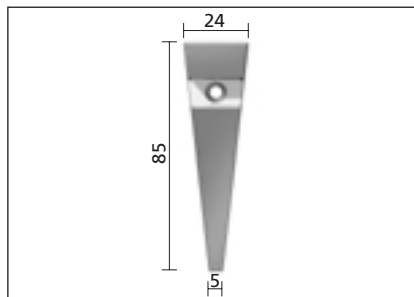
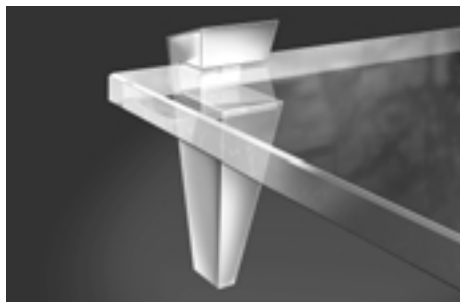
Model No. 2896
Finishes ZN0, ZN1, ZN5 ZN7, ZN12 ZN14, ZN15 ZN16, ZN22 RAL Colours

Model Universal shelf support, adjustable by grooved slots, usable vertically as well as slants up to 30° depending on glass thickness. 1 hole for fastening Ø 6.5mm countersunk head screw

Extras 2857 ST8

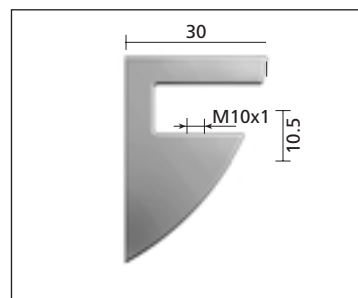
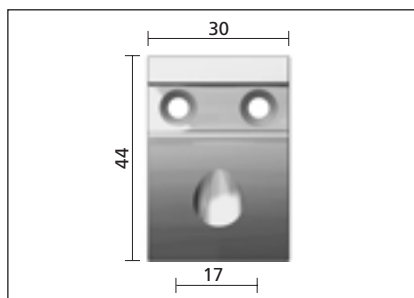
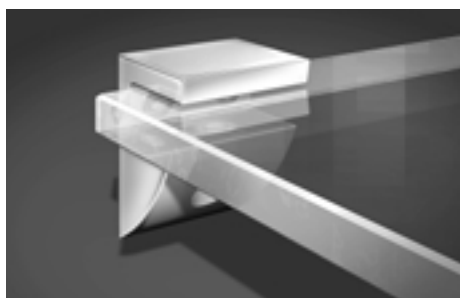


6mm to 10mm Glass



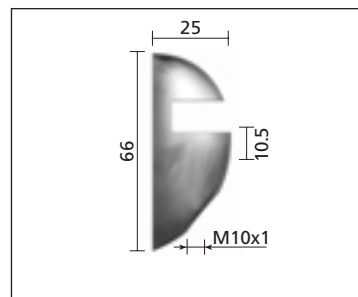
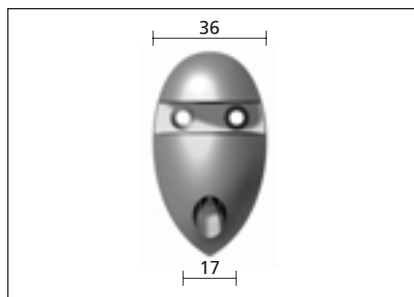
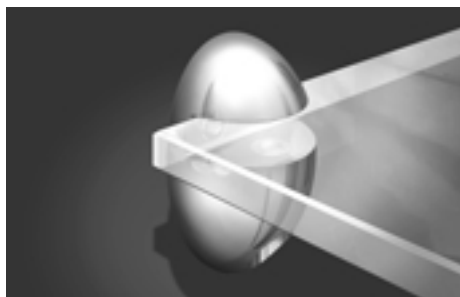
Model No. 10010
Finishes ZN0, ZN1, ZN5, ZN7, ZN14, ZN22, RAL Colours
Model Glass support, 1 hole Ø 4.5mm usable vertically as well as slants up to 30° fastening countersunk head screw

Extras
 Z090



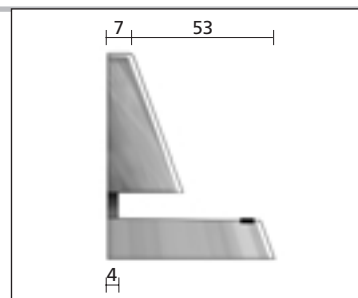
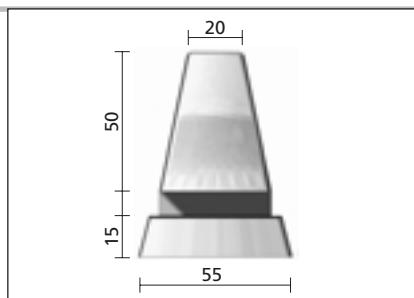
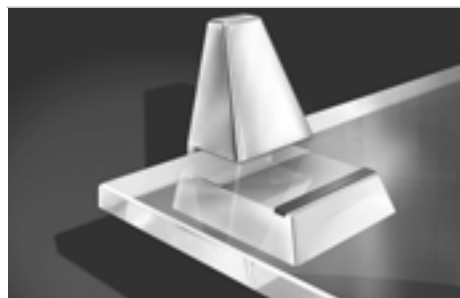
Model No. 10020
Finishes ZN0, ZN1, ZN5, ZN7, ZN14, ZN22, RAL Colours
Model Glass support, 2 holes Ø 4.5mm usable vertically as well as slants up to 30° fastening countersunk head screw

Extras
 Z090



Model No. 10030
Finishes ZN0, ZN1, ZN5, ZN7, ZN14, ZN22, RAL Colours
Model Glass support, 2 holes Ø 4.5mm usable vertically as well as slants up to 30° fastening countersunk head screw

Extras
 Z090



Model No. 10040
Finishes ZN0, ZN1, ZN5, ZN7, ZN14, ZN22, RAL Colours
Model Glass support, adjustable, 1 hole Ø 6.5mm for fastening countersunk head screw

www.prefit-fittings.com
 e: sales@prefit-fittings.com

14 Sovereign Park, Coronation Road, London NW10 7QP

Prefit is a division of J.Preedy & Sons
 Established 1913

For more products see other range catalogues on our website:

