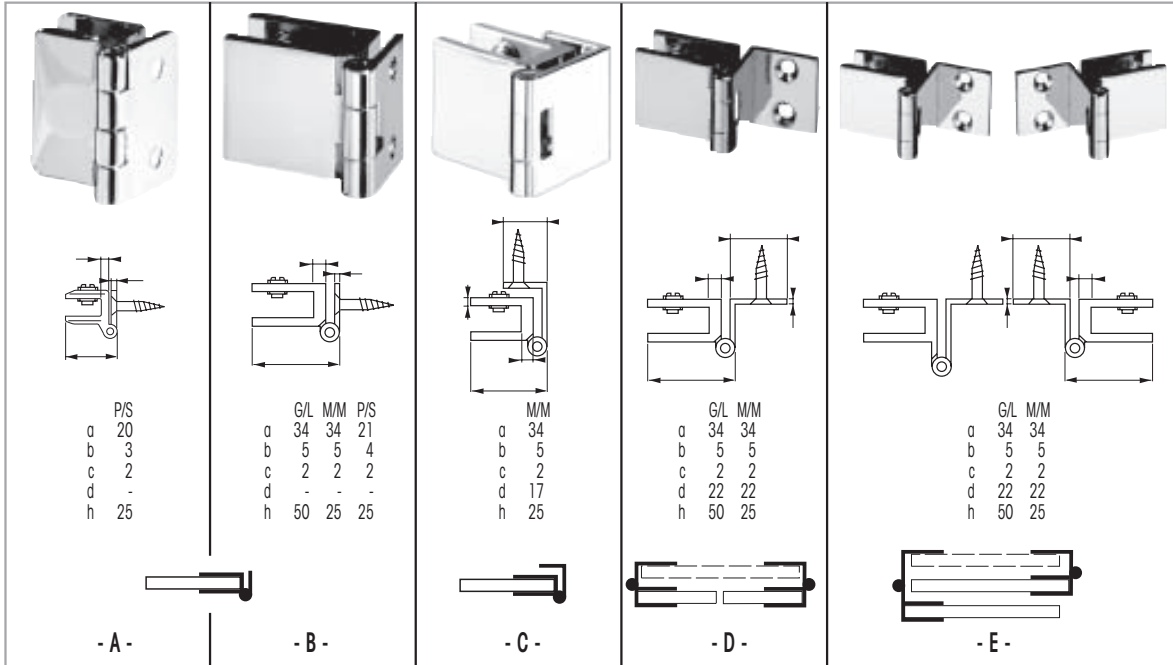


## Shopfitting - Hinges & Accessories for Mirrors



## Clip Hinges for Mirrors - 500

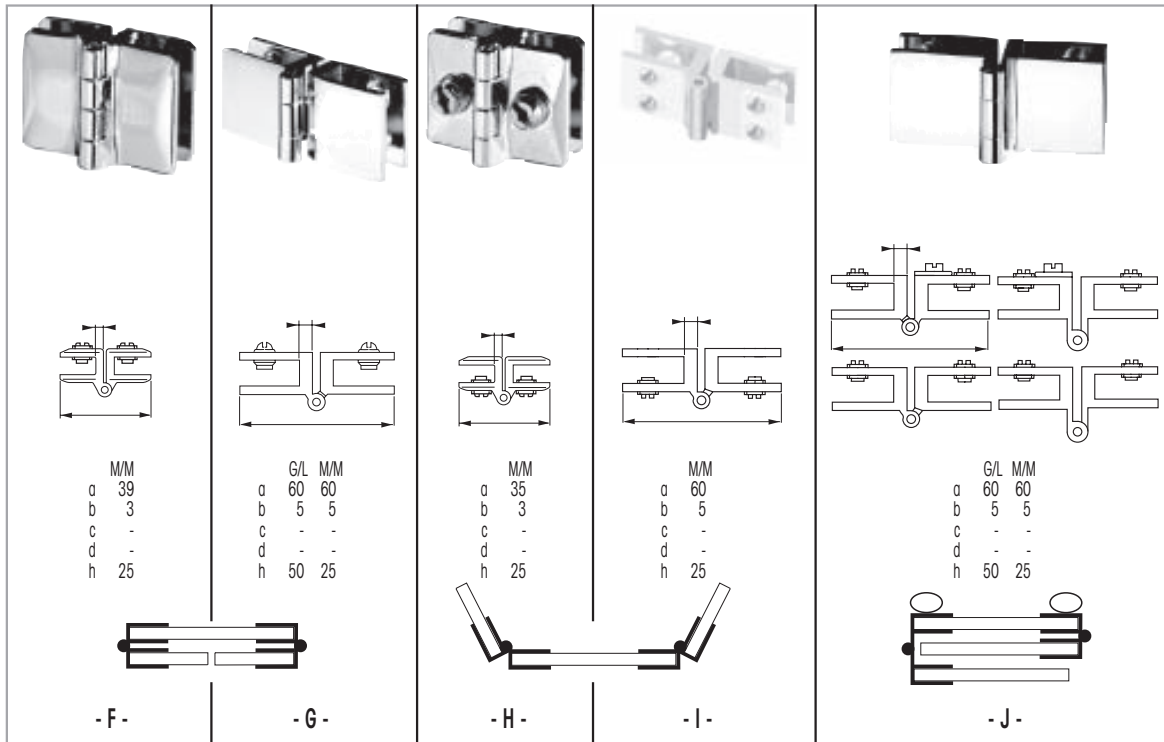


**ADLER®** clips-hinges are supplied with cork shims thickness 1 mm (for additional shims, see 659b).

To determine maximum allowable volume thickness, subtract from opening the total shim thickness plus 1 mm.

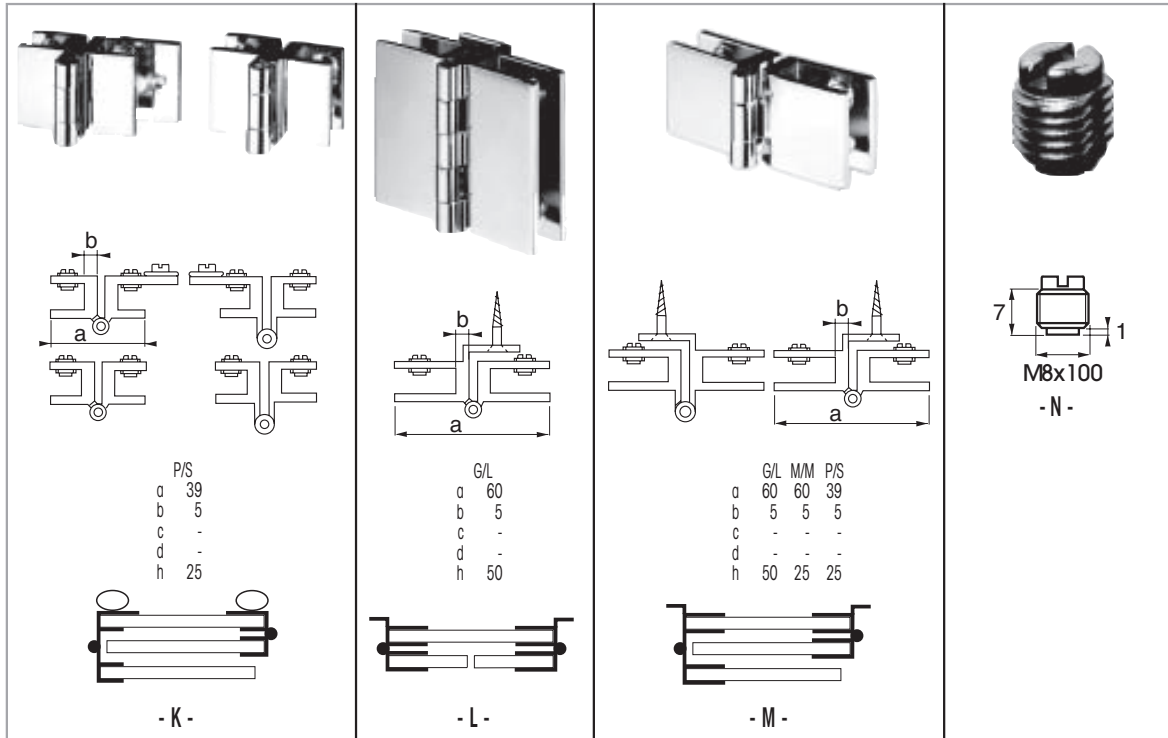
	<p>Single hinges. With wall plate. External tightening. Supplied with wood screws. Hinges of «eco» range are chromed without polishing.</p> <table border="1"> <thead> <tr> <th>model</th> <th colspan="3">large (G/L)</th> <th colspan="3">medium (M/M)</th> <th colspan="3">small (P/M)</th> </tr> <tr> <th>glass, sizes (hxt) in cm</th> <th colspan="3">130 x 45</th> <th colspan="3">60 x 40</th> <th colspan="3">40 x 30</th> </tr> <tr> <th>finish</th> <th>chrome</th> <th>satn chrome</th> <th>brass</th> <th>chrome</th> <th>satn chrome</th> <th>brass</th> <th>chrome</th> <th>satn chrome</th> <th>brass</th> </tr> </thead> <tbody> <tr> <td>- A -</td> <td>opening 7 mm - Zamak</td> <td>—</td> <td>—</td> <td>—</td> <td>—</td> <td>—</td> <td>500 61Q</td> <td>—</td> <td>—</td> </tr> <tr> <td>- B -</td> <td>opening 10 mm - Brass</td> <td>500 51D</td> <td>500 55J</td> <td>500 52F</td> <td>500 53G</td> <td>500 56K</td> <td>500 54H</td> <td>500 59N</td> <td>500 62R</td> <td>500 60P</td> </tr> <tr> <td>- B -</td> <td>«eco» - opening 10 mm - Brass</td> <td>500 35M</td> <td>—</td> <td>—</td> <td>500 37P</td> <td>—</td> <td>—</td> <td>500 38Q</td> <td>—</td> <td>—</td> </tr> </tbody> </table>	model	large (G/L)			medium (M/M)			small (P/M)			glass, sizes (hxt) in cm	130 x 45			60 x 40			40 x 30			finish	chrome	satn chrome	brass	chrome	satn chrome	brass	chrome	satn chrome	brass	- A -	opening 7 mm - Zamak	—	—	—	—	—	500 61Q	—	—	- B -	opening 10 mm - Brass	500 51D	500 55J	500 52F	500 53G	500 56K	500 54H	500 59N	500 62R	500 60P	- B -	«eco» - opening 10 mm - Brass	500 35M	—	—	500 37P	—	—	500 38Q	—	—
model	large (G/L)			medium (M/M)			small (P/M)																																																								
glass, sizes (hxt) in cm	130 x 45			60 x 40			40 x 30																																																								
finish	chrome	satn chrome	brass	chrome	satn chrome	brass	chrome	satn chrome	brass																																																						
- A -	opening 7 mm - Zamak	—	—	—	—	—	500 61Q	—	—																																																						
- B -	opening 10 mm - Brass	500 51D	500 55J	500 52F	500 53G	500 56K	500 54H	500 59N	500 62R	500 60P																																																					
- B -	«eco» - opening 10 mm - Brass	500 35M	—	—	500 37P	—	—	500 38Q	—	—																																																					
- C -	<p>Single hinges. With wall plate. Opening 10 mm. External tightening. Supplied with wood screws.</p> <table border="1"> <thead> <tr> <th>model</th> <th colspan="3">medium (M/M)</th> </tr> <tr> <th>glass, sizes (hxt) in cm</th> <th colspan="3">60 x 40</th> </tr> <tr> <th>finish</th> <th>chrome</th> <th>satn chrome</th> <th>brass</th> </tr> </thead> <tbody> <tr> <td>single overlap - Brass</td> <td>500 57L</td> <td>500 58M</td> <td>500 63S</td> </tr> </tbody> </table>	model	medium (M/M)			glass, sizes (hxt) in cm	60 x 40			finish	chrome	satn chrome	brass	single overlap - Brass	500 57L	500 58M	500 63S																																														
model	medium (M/M)																																																														
glass, sizes (hxt) in cm	60 x 40																																																														
finish	chrome	satn chrome	brass																																																												
single overlap - Brass	500 57L	500 58M	500 63S																																																												
- D -	<p>Single hinges. With wall plate. Opening 10 mm. External tightening. Supplied with wood screws.</p> <table border="1"> <thead> <tr> <th>model</th> <th colspan="2">medium (M/M)</th> </tr> <tr> <th>glass, sizes (hxt) in cm</th> <th colspan="2">60 x 40</th> </tr> <tr> <th>finish</th> <th>chrome</th> <th>chrome</th> </tr> </thead> <tbody> <tr> <td>single overlap - Brass</td> <td>500 33K</td> <td>500 43V</td> </tr> </tbody> </table>	model	medium (M/M)		glass, sizes (hxt) in cm	60 x 40		finish	chrome	chrome	single overlap - Brass	500 33K	500 43V																																																		
model	medium (M/M)																																																														
glass, sizes (hxt) in cm	60 x 40																																																														
finish	chrome	chrome																																																													
single overlap - Brass	500 33K	500 43V																																																													
- E -	<table border="1"> <thead> <tr> <th>model</th> <th colspan="2">medium (M/M)</th> </tr> <tr> <th>glass, sizes (hxt) in cm</th> <th colspan="2">60 x 40</th> </tr> <tr> <th>finish</th> <th>chrome</th> <th>chrome</th> </tr> </thead> <tbody> <tr> <td>double overlap - Brass</td> <td>500 05D</td> <td>500 15Q</td> </tr> </tbody> </table>	model	medium (M/M)		glass, sizes (hxt) in cm	60 x 40		finish	chrome	chrome	double overlap - Brass	500 05D	500 15Q																																																		
model	medium (M/M)																																																														
glass, sizes (hxt) in cm	60 x 40																																																														
finish	chrome	chrome																																																													
double overlap - Brass	500 05D	500 15Q																																																													

## 500 - Clip Hinges for Mirrors



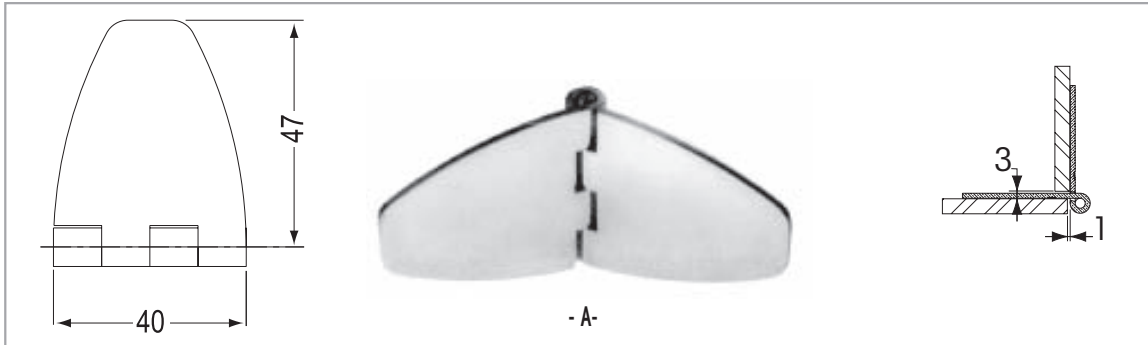
	<p>Double hinges. Without wall fitting. External tightening. Single overlap. Hinges of «eco» range are chromed without polishing.</p> <p>model large (G/L) medium (M/M)</p> <p>glass, sizes (hxl) in cm 130 x 45 60 x 40</p> <p>finish chrome gold-plated chrome gold-plated</p> <p>opening 7 mm - Zamak — — 500 39R —</p> <p>- F - opening 10 mm - Brass 500 31H 500 32J 500 41T 500 42U</p> <p>- G - «eco» - opening 10 mm - Brass 500 34L — 500 36N —</p>
- H - - J -	<p>Double hinges. Without wall fitting. Internal tightening (fire-screen type). Single overlap.</p> <p>model medium (M/M)</p> <p>glass, sizes (hxl) in cm 60 x 40</p> <p>finish chrome gold-plated</p> <p>opening 7 mm -Zamak 500 46Y —</p> <p>- H - opening 10 mm - Brass 500 44W 500 45X</p>
- J - - K -	<p>Double hinges. With attachment lugs. External tightening. Double overlap. Opening 10 mm.</p> <p>model large (G/L) medium (M/M) small (P/M)</p> <p>glass, sizes (hxl) in cm 130 x 45 60 x 40 40 x 30</p> <p>finish chrome chrome chrome</p> <p>Brass 500 01Z 500 11L —</p> <p>- J - Brass — — 500 21W</p> <p>- K -</p>

## Clip Hinges for Mirrors - 500



	Double hinges. With wall plate. External tightening. Opening 10 mm. Supplied with wood screws.			
	model	large (G/L)	medium (M/M)	small (P/M)
	glass, sizes (hxl) in cm	130 x 45	60 x 40	40 x 30
	finish	chrome	chrome	chrome
- L -	single overlap - Brass	<b>500 08H</b>	—	—
- M -	double overlap - Brass	<b>500 03B</b>	<b>500 13N</b>	<b>500 23Y</b>
	Polyacetal-tipped screws.			
- N -		black <b>500 97D</b>	chrome <b>500 98F</b>	brass plated <b>500 96C</b>

## 501 - Glue-on Hinges



	- A -	<p>Glass / glass hinge, <b>VENUS</b> design, polished stainless steel. It is used for glued doors, especially those assembled with glass - metal U.V. glue (see 350 001V) which gives a shear strength of 80 Kg / cm<sup>2</sup> (a safety margin should be added)</p> <p>one hinge    501 00H</p>
--	-------	--

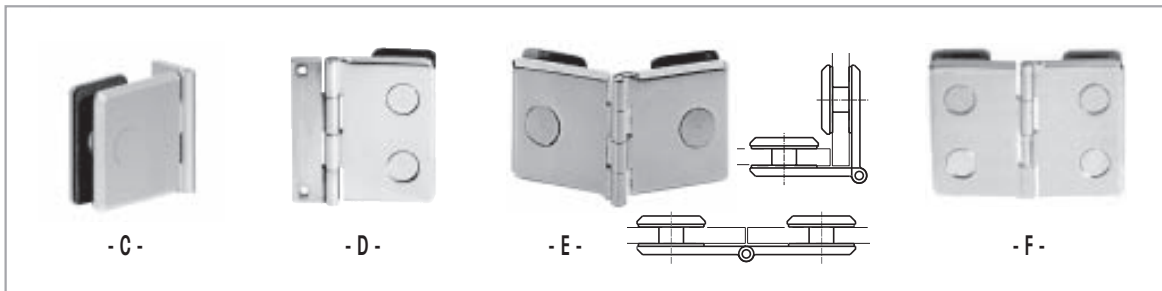
## Venus Counterplate Hinges - 502a



Counterplate hinges are supplied with cork shims thickness 1 mm (for additional shims, see 659b).

		<b>ADLER®</b> hinge, <b>VENUS</b> design, with founded edges and curved surface. Tightening. For doors, especially for showcases thickness: 6 / 8 mm, max. size for 1 set : 1.20 m x 0.80. Hinges with well plate are supplied with wood - screws.			
			chrome	satín chrome	gold-plated
- A -	with wall plate	<b>502 36F</b>	<b>502 37G</b>	<b>502 38H</b>	
- B -	glass / glass	<b>502 11C</b>	<b>502 13F</b>	<b>502 15H</b>	

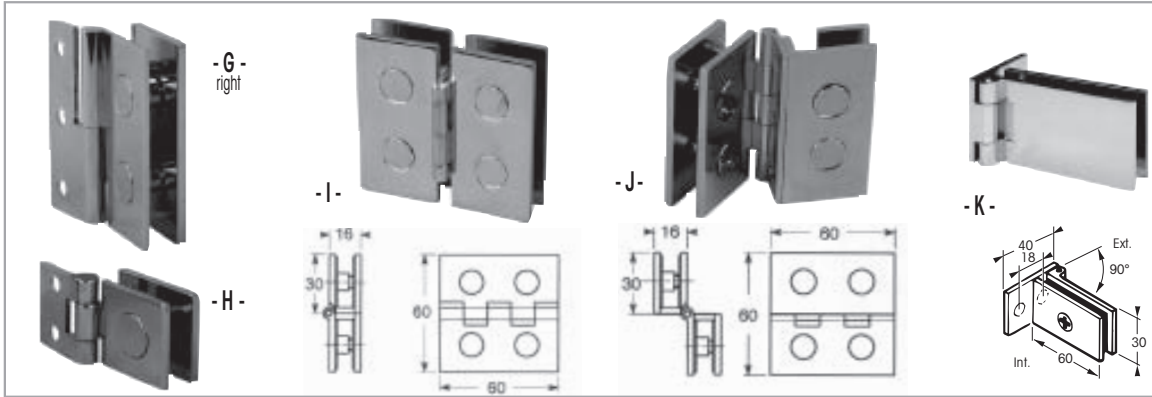
## 2000 Series Counterplate Hinges - 502b



Counterplate hinges are supplied with cork shims thickness 1 mm (for additional shims see 659b).

		<b>ADLER®</b> hinge, «2000» series, soft lines and turned down edges. Tightening by means of screwed counterplate. With wall plate (supplied with wood screws) or glass / glass. 2 models: 40 X 40 mm and 40 X 60 mm. Opening : 10 mm. Maxi load : 12 or 18 kg.			
			chrome	satín chrome	gold-plated
- C -	with wall plate - 40 X 40 mm	<b>502 39J</b>	<b>502 41L</b>	<b>502 40K</b>	
- D -	with wall plate - 40 X 60 mm	<b>502 03U</b>	<b>502 05W</b>	<b>502 04V</b>	
- E -	glass / glass - 40 X 40 mm	<b>502 28W</b>	<b>502 27V</b>	<b>502 29X</b>	
- F -	glass / glass - 40 X 60 mm	<b>502 00R</b>	<b>502 02T</b>	<b>502 01S</b>	

## 502c - Moore Counterplate Hinges



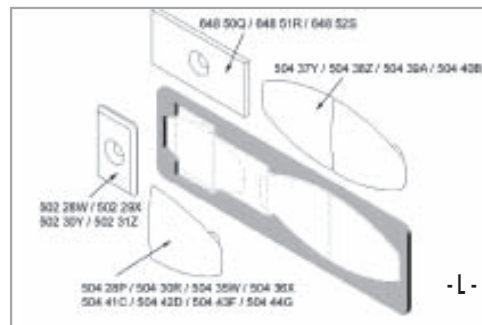
Counterplate hinges are supplied with cork shims thickness 1 mm

- G - —	<p><b>ADLER®</b> un hingeable brass hinges, 60 x 30 mm, with wall plate, tightening by means of screwed counterplate. Opening 9 mm. With wood screws. Max. size : 120 x 050 m set of 2.</p> <p>chrome g old-plated for RH brace (see after 799) <b>502 20N</b> <b>502 22Q</b> for LH brace (see after 799) <b>502 24S</b> <b>502 26U</b></p>
- H -	<p><b>ADLER®</b> non un hingeable brass hinges, 25 x 30 mm, with wall plate, tightening by means of screwed counterplate. Opening 10 mm. With wood screws. Max. size : 070 x 050 m.</p> <p>chrome satin chrome g old-plated <b>502 06X</b> <b>502 42M</b> <b>502 08Z</b></p>
- I - - J -	<p><b>ADLER®</b> double brass hinges, with two screwed counterplates, 60 x 30 mm. Opening 9 mm. Max. size : 120 x 060 m</p> <p>chrome g old-plated for 2 180° volumes <b>502 17K</b> <b>502 19M</b> for 2 90° volumes <b>502 21P</b> <b>502 23R</b></p>
- K -	<p><b>ADLER®</b> brass hinges, 90° external opening, with out locking; for panels up to (H x L), 140 x 70 mm, thickness 6 to 8 mm, drilled to 12 mm. Max load 20 kg per set. Supplied with 3.5 x 35 mm woodscrews, plugs, cork shims and central protection bushing.</p> <p>chrome mat/satin chrome g old-plated <b>648 50Q</b> <b>648 51R</b> <b>648 52S</b></p>

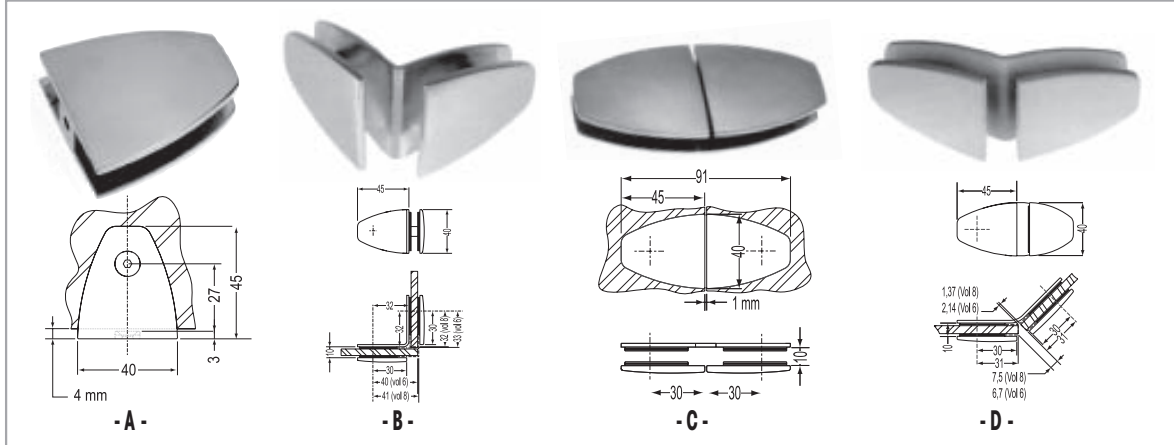
## 502d - Assembly Tool for Counterplate Hinges

x 1	- L -	502 25T
-----	-------	---------

Assembly tool to facilitate tightening of counterplate hinges 502, 504 and 648.  
Provides maintaining the counterplate until the screw is finally tightened.

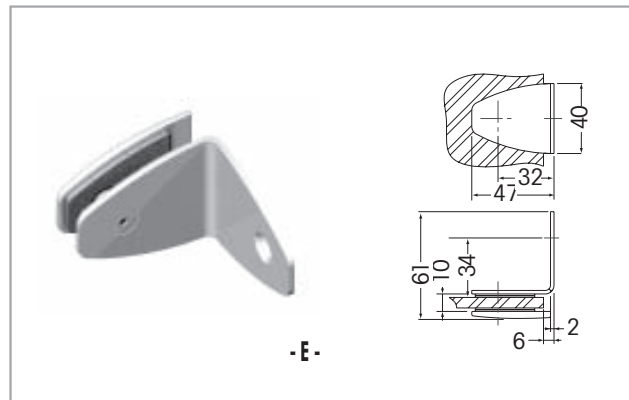


## Venus Screen Clamps - 504a



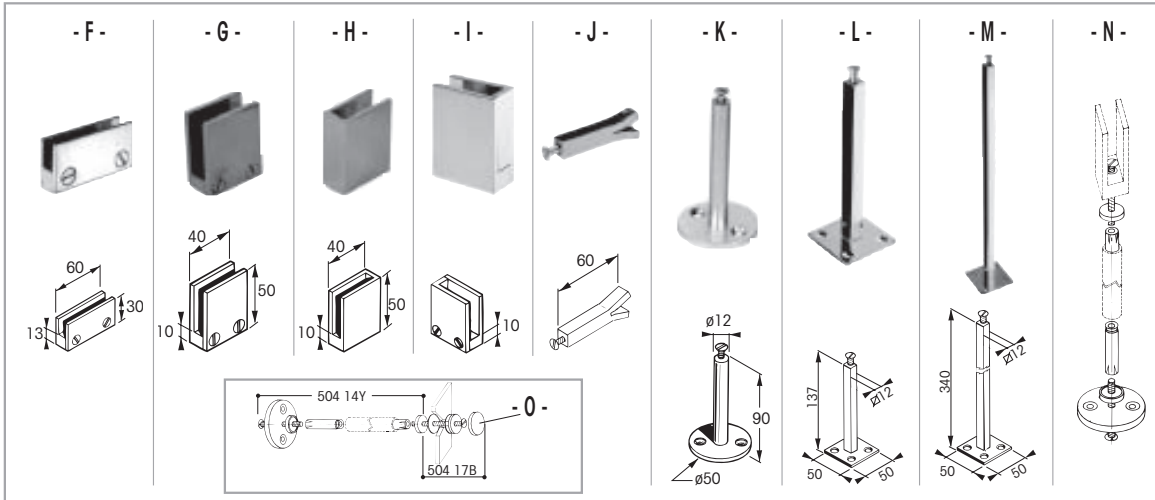
Clamps with coating plate to build partitions and screens, 6 to 10 mm thick.  
Design matches **VENUS** hinges (see 048a). Supplied with cork shims, 1mm thick

		brass-plate for glass 6 / 10 mm drilled dia. 12 mm. ø 12 mm.				
			chrome	satin chrome	gold-plated	white
- A -	straight		504 01K	504 20F	504 24K	504 27N
- B -	2 entries - 90°		504 28P	504 30R	504 35W	504 36X
- C -	2 entries - 180°		504 37Y	504 38Z	504 39A	504 40B
- D -	2 entries - 135°		504 41C	504 42D	504 43F	504 44G



		Right-angle clamp with coating plate, opening 10 mm for 6, 10 mm thick glass sheet, hole dia. 12 mm. Supplied with 90° counter sunk woodscrews, 5 x 40 mm.				
			chrome	satin chrome	gold-plated	white
- E -			504 49M	504 50N	504 74P	504 75Q

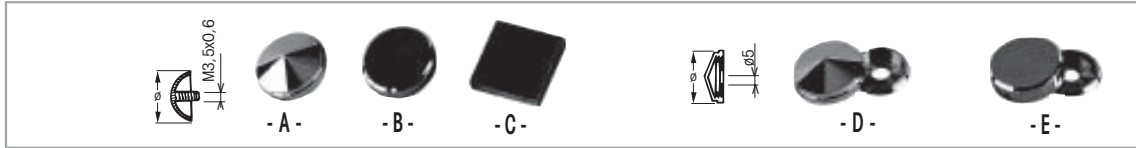
## 504b - Partition Clamps



To make unslotted partitions or screens, up to 14 mm thick.  
Clips for partitions are supplied with cork shims thickness 1 mm

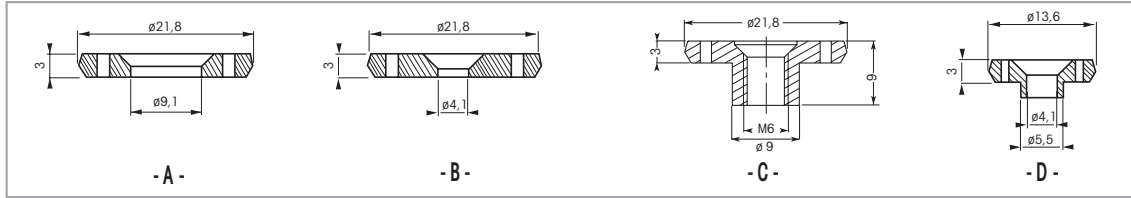
		Brass-clip. Heel drilled and countersunk for 5 mm screws. Clamps of «eco» range are chromed without polishing.						
			opening	h x w mm	chrome	«éco»	gold-plated	mother-of-pearl
- F -		with counterplate	10 mm	30 x 60	504 21G	504 46J	504 12W	—
- G -		with counterplate	12 mm	50 x 40	504 02L	504 45H	504 04N	504 00J
- H -		with heel	12 mm	50 x 40	504 06Q	—	504 08S	—
- I -		with counterplate and heel, LH	12 mm	50 x 40	504 19D	—	504 29Q	504 47K
—		with counterplate and heel, RH	12 mm	50 x 40	504 18C	—	504 26M	504 48L
- G -		with counterplate	16 mm	50 x 40	504 05P	—	504 10U	504 93K
		Aluminium clip.						
			opening	h x w mm	natural anodized		white	
- G -		with counterplate	12 mm	50 x 40	504 03M		(RAL 90 10)	504 31S
- I -		with LH heel	12 mm	50 x 40	—			504 34V
—		with RH heel	12 mm	50 x 40	—			504 33U
- G -		with counterplate	16 mm	50 x 40	—			504 32T
		Plate stand and bedding tab for above clips.						
					chromium-plated brass		natural anodized	
- J -		patte de scellement	60 mm		504 22H			—
- K -		pied à platine, ø 50, h 90 mm			—			504 11V
- L -		pied à platine, √ 50, h 137 mm			504 23J			—
- M -		pied à platine, √ 50, h 340 mm			504 25L			—
		other height on request.						
		Set for mounting above clips on free height plate stand, comprising : 1 plate, 2 covers, 2 self-tapping screws (5 x 40), 2 lead plugs. Fits into a tube 14 mm x 10. Cutting the tube : cut 20 mm – or 23 mm for 504 21G – from height under glass ; keep a minimum length of 70 mm.						
- N -					chrome	brass		satén chrome
					504 14Y	504 15Z		504 16A
		set for mounting partition or spreader used with 504 14Y, comprising : 1 rosette ø 25 mm with base and 2 plastic washers. Hole in glass : 8 mm.						
- O -					chrome			504 17B

## 516 - Rosettes



		Brass screw-cap rosettes for screws 524. Supplied without screw (specify codes when ordering). Head dia. or 13 to 40 mm.									
			13		16		20		25		30
			chrome	brass	chrome	brass	chrome	brass	chrome	brass	brass
- A -	Round cone-shaped head	516 07V	516 08W	516 17G	516 18H	516 27S	—	516 37C	516 38D	—	
- B -	round	516 09X	516 10Y	516 19J	516 20K	516 29U	—	516 39F	—	516 50S	
- C -	square	—	—	—	—	516 31W	516 32X	516 41H	—	—	
		Brass marble-work screw-cap rosettes with plate, with woodscrews 3.5 x 20 mm.									
			head dia. 25 mm								
			chrome	gold-plated		chrome		gold-plated			
- D -	cone shaped head	516 81A	516 82B	—	—	—	—	—	—	—	cone-shaped head
- E -	flat head	516 83C	516 84D	516 85F	516 86G	—	—	—	—	—	flat head

### Clip-On Rosettes - 518

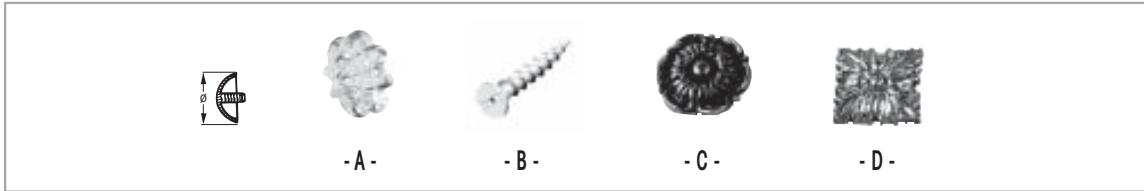


Item	Base	Screwing	glass drill	Use	For Rosettes
- A -	518 02H base $\phi$ 22	internal with set 659 01H or female screw 659 03K and screw M6 ; external, with screw M4 and washer 659 70H	$\phi$ 12 mm	assembly of parts 632, 635, 639 ; finish for panels in wood, metal, glass, etc., checker design, etc.	$\phi$ 25 and 30 mm
- B -	518 07N base $\phi$ 22 for woodscrew	external with screw M4 or wood screw $\phi$ 3.5 ;		finish for panels in wood, metal, etc.	$\phi$ 25 and 30 mm
- C -	518 04K base nut $\phi$ 22	internal, screw M6 ;	$\phi$ 12 mm	assembly of parts 632, 635, 639 ; finish for drilled panels 9.5 to 12 mm	$\phi$ 25 and 30 mm
- D -	518 06M base $\phi$ 13.8	external with screw M4 or wood screw $\phi$ 3.5 ;	$\phi$ 6 mm	assembly of parts 637, finish for panels in wood, metal, etc., checker design, etc.	$\phi$ 16 and 20 mm



finish	$\phi$ 30		$\phi$ 25		$\phi$ 20		$\phi$ 16	
	flat	cone	flat	cone	flat	cone	flat	cone
- E -	chrome 518 26J	518 38W	518 20B	518 32Q	518 44C	518 56R	518 50K	518 62X
- F -	brass 518 27K	518 39X	518 21C	518 33R	518 45D	518 57S	518 51L	518 63Y
- G -	black 518 29	518 41Z	518 23F	—	518 47G	518 59U	518 53N	518 65A
- H -	blue —	518 42A	—	—	—	518 60V	—	518 66B
- I -	yellow —	518 43B	—	518 37V	—	518 61W	—	518 67C
- J -	white 518 71H	518 75M	518 70G	518 74L	518 69F	518 73K	518 68D	518 72J
	suitable bases 518 02H, 518 04K, or 518 07N (in bag of 20)				518 06M (in bag of 20)			
- K - - L -	Clip-on rosettes. Chromed brass and multi-facette mirror $\phi$ 24 mm. Fitting onto bases 518 02H, 518 04K or 518 07N.							
	external $\phi$ 25 mm 518 76N				external $\phi$ 30 mm 518 77P			
- M -	Clip-on rosettes. Brass ; finish black nickel, and design Louis XV in golden brass, bronze aspect. External dia. : 30 mm. Fitting onto bases 518 02H, 518 04K or 518 07N.							
	518 78Q							
—	Flat clip-on rosettes, 25-mm dia., polished stainless steel. Mostly used with end-fittings 699 62W and stainless steel tube 699 63X for counter and panel assembly. To be mounted on bases ref. 518 02H, 518 04K or 518 07N.							
	518 22D							

## 520a - Decorative Rosettes



- A -
- B -
- C -
- D -

Crystal-heads screw-cap.

∅ in mm	13	16
	520 15P	520 16Q

Drilled, tapped w oodscrews, dia. 3.5 mm, for crystal head.

screw length (mm)	16	20	25
	520 17R	520 18S	520 19T

Brass screw cap rosettes, bronze finish, for screws 524

Supplied without screw (specify the codes when ordering). The manufacturing procedure of these rosettes does not guarantee finish consistency from one batch to the other.

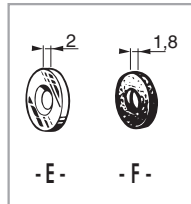
brass

Louis XV dia. 35 mm	520 31G
oak leaf ∅30 mm	520 32H

## 520b - Accessories for Rosettes

- E -
- F -

Brass washers for checkboard mirror, for 5 mm dia. screw.  
Diameter 13 to 20 mm.



∅ 13	∅ 16
520 61P	520 62Q

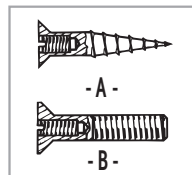
Rubber washers, dia. 11 mm, drilled hole dia. : 4 mm.

520 70Y

## 520c - Screws for Rosettes

- A -
- B -

Counter sunk tapped screws for screw cap rosettes  
516 and 520 (except crystal heads).  
Diameter x length: in mm



	5 x 20	5 x 25	5 x 30	5 x 40	5 x 60	6 x 50
wood screws	524 07Q	524 08R	524 09S	524 10T	524 11U	—
metal screws	524 12V	—	524 13W	—	—	524 14X