

PREFIT

FITTINGS FOR GLASS

Shopfitting - Shelf Supports, Small Hinges, Locks & Showcase Fittings

To determine the maximum allowed thickness of shelving, subtract glass thickness plus 1 mm from clip opening, except where otherwise specified (*). Opening a and size 0.0 x d are in mm.

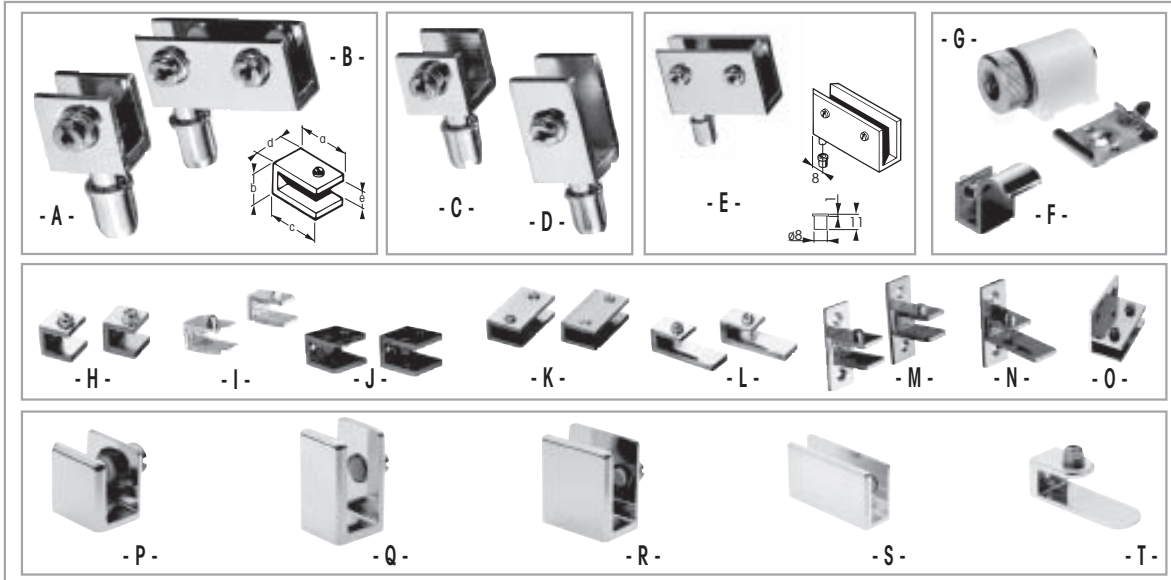
Model	Material	Dimensions (a, b, c, d, e)
- A -	chrome	630 255
- B -	chrome	630 270
- C -	chrome	630 235
- D -	chrome	630 214
- E -	chrome	630 284
- F -	brass	630 000
- G -	brass	630 322
- H -	chrome	630 31N
- I -	chrome	630 57R
- J -	chrome	630 01F
- K -	chrome	630 03H
- L -	chrome	630 485
- M -	chrome	630 05A
- N -	chrome	630 07M
- O -	chrome	630 11R
- P -	chrome	630 09P
- Q -	chrome	630 13T
- R -	chrome	630 15V
- S -	chrome	630 19Z
- T -	chrome	630 21B
- U -	chrome	630 24F
- V -	chrome-plated zamak	630 61V
- W -	chrome-plated zamak	630 62W
- X -	chrome-plated zamak	630 64X
- Y -	chrome-plated zamak	630 66A
- Z -	chrome-plated zamak	630 68C
- AA -	chrome-plated zamak	630 70F

PREFIT

FITTINGS FOR GLASS

Shelf Supports, Small Hinges, Locks & Showcase Fittings

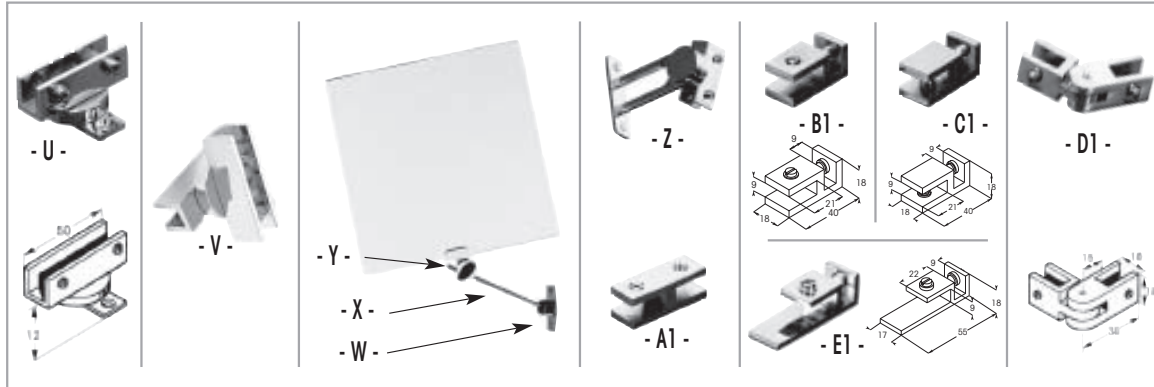
Clips with Tipped Screws - 630



To determine the maximum allowed thickness of shelving, subtract shim thickness plus 1 mm from clip opening, except where otherwise specified ().
Opening e and sizes a,b,c,d are in mm.

		Brass clips, on \varnothing 6 mm. pivot.								
- A -	small model	chrome	gold-plated	brass	black	e	a	b	c	d
- B -	large model	630 35S	630 36T	—	630 14U	7 (-2)	16	11	16	16
- C -	small model	630 37U	630 38V	—	630 17X	7 (-2)	16	11	16	35
- D -	medium model	630 25G	630 26H	—	—	10	16	16	16	16
- E -	large model	630 27J	—	630 28K	—	10	27	16	27	16
		630 29L	630 30M	—	630 00D	10	27	16	27	40
		Brass slide clips, (d= 15 mm).								
- F -	slide clip	chrome	brass	e						
- G -	magnet and steel washer	630 31N	630 32P	8 (-2)						
		Threaded brass slide clips. Supplied with woodscrews.								
- H -		chrome	gold-plated	brass	e	a	b	c	d	
- H -		630 01F	—	630 02G	8	15	12	15	15	
- H -		630 03H	—	630 04J	10	16	16	16	16	
- H -		630 48G	—	630 49H	11 (-2)	15	15	15	15	
- I -		630 05K	630 06L	—	10	27	16	27	16	
- J -		630 07M	630 08N	—	10	27	16	27	25	
- J -		630 11R	630 12S	—	12	27	19	27	25	
- K -		630 09P	630 10Q	—	10	27	16	27	50	
- K -		630 13T	—	—	14	27	21	27	50	
- L -	with unequal wings	630 15V	—	630 16W	9	23	16	45	16	
- M -	with plate (50 x 20) equal wings	630 19Z	—	630 20A	10	27	16	27	16	
- N -	with plate (55 x 20) unequal wings	630 21B	—	630 22C	9	23	16	45	18	
- O -	with plate (37 x 50) «offset»	630 24F	—	630 23D	10	27	16	27	50	
		Threaded zamak side clips, design line. Supplied with woodscrews.								
- P -		chrome-plated zamak	gold-plated zamak	e	a	b	c	d		
- Q -		630 61V	630 62W	8	15	12	15	15		
- R -		630 63X	630 64Y	10	27	16	27	16		
- S -		630 65Z	630 66A	10	27	16	27	25		
- T -		630 67B	630 68C	10	27	16	27	50		
		630 69D	630 70F	9	23	16	45	16		

630 - Clips with Tipped Screws



	<p>Orientable clips. 10 mm opening. Chromium-plated brass. Rotation hardness adjustment device.</p>																																																						
- U - - V -	<p>on plate 50 x 15 mm (supplied with woodscrews). 630 40X double clip glass/glass 630 39W</p>																																																						
	<p>3-direction pivoting clip ; mounted on an 60,90 Or 150 orientable arm. Fixed by a 68 x 20 mm wall plate. For 4 to 6 mm glas ; max. load : 3 kg. Each kit is composed of 3 elements which are to be purchased separately.</p> <table border="1"> <thead> <tr> <th>max. load</th> <th>piece</th> <th>lg</th> <th>60 mm</th> <th>90 mm</th> <th>150 mm</th> </tr> </thead> <tbody> <tr> <td rowspan="3">0,500 kg</td> <td>orientable system</td> <td></td> <td>630 41Y</td> <td>630 41Y</td> <td>630 41Y</td> </tr> <tr> <td>arm</td> <td></td> <td>630 43A</td> <td>630 54N</td> <td>630 56Q</td> </tr> <tr> <td>clip</td> <td></td> <td>630 59T</td> <td>630 59T</td> <td>630 59T</td> </tr> <tr> <td rowspan="3">1,500 kg</td> <td>orientable system</td> <td></td> <td>630 41Y</td> <td>630 41Y</td> <td>inadvisable</td> </tr> <tr> <td>arm</td> <td></td> <td>630 43A</td> <td>630 54N</td> <td></td> </tr> <tr> <td>clip</td> <td></td> <td>630 60U</td> <td>630 60U</td> <td></td> </tr> <tr> <td rowspan="3">3,000 kg</td> <td>orientable system</td> <td></td> <td>630 41Y</td> <td>inadvisable</td> <td>inadvisable</td> </tr> <tr> <td>arm</td> <td></td> <td>630 43A</td> <td></td> <td></td> </tr> <tr> <td>clip</td> <td></td> <td>630 60U</td> <td></td> <td></td> </tr> </tbody> </table> <p>orientable system 630 41Y 60 mm length arm 630 43A 90 mm length arm 630 54N 150 mm length arm 630 56Q clip 630 59T clip 630 60U</p>	max. load	piece	lg	60 mm	90 mm	150 mm	0,500 kg	orientable system		630 41Y	630 41Y	630 41Y	arm		630 43A	630 54N	630 56Q	clip		630 59T	630 59T	630 59T	1,500 kg	orientable system		630 41Y	630 41Y	inadvisable	arm		630 43A	630 54N		clip		630 60U	630 60U		3,000 kg	orientable system		630 41Y	inadvisable	inadvisable	arm		630 43A			clip		630 60U		
max. load	piece	lg	60 mm	90 mm	150 mm																																																		
0,500 kg	orientable system		630 41Y	630 41Y	630 41Y																																																		
	arm		630 43A	630 54N	630 56Q																																																		
	clip		630 59T	630 59T	630 59T																																																		
1,500 kg	orientable system		630 41Y	630 41Y	inadvisable																																																		
	arm		630 43A	630 54N																																																			
	clip		630 60U	630 60U																																																			
3,000 kg	orientable system		630 41Y	inadvisable	inadvisable																																																		
	arm		630 43A																																																				
	clip		630 60U																																																				
- W - - X - - X - - X - - Y - - Y -																																																							
	<p>Pivoting pane-holder clips with wall plate 70 x 20 mm. Length axle/wall : 70 mm Chromium-plated brass. 10 mm opening. Rotation hardness adjustment device. Supplied with woodscrews.</p> <p>630 42Z</p>																																																						
- Z -																																																							
	<p>Clips for transformable shelving stands etc... Chromium-plated brass. 9 mm opening.</p>																																																						
- A1 - - B1 - - C1 - - D1 - - E1 -	<p>for 2 180° panels. 630 47F for 2 90° panels. Equal wings. Screw on upper side. 630 51K for 2 90° panels. Equal wings. Screw on lower side. 630 52L hinged for 2 articulated panels. 630 53M for 2 90° panels, included 1 shelf. 630 50J</p>																																																						

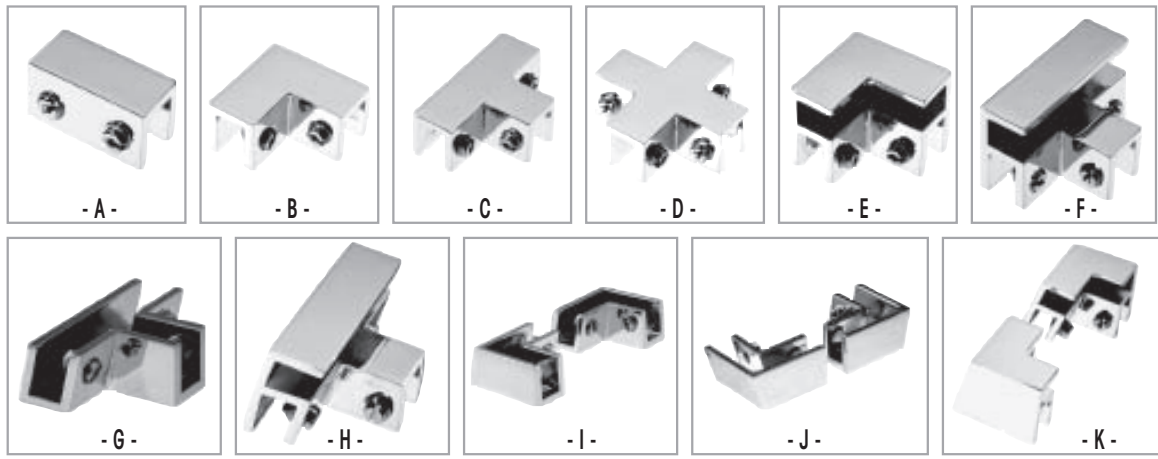
Showcase Counter Clips/Tipped Screws - 631



Counter showcase (631)



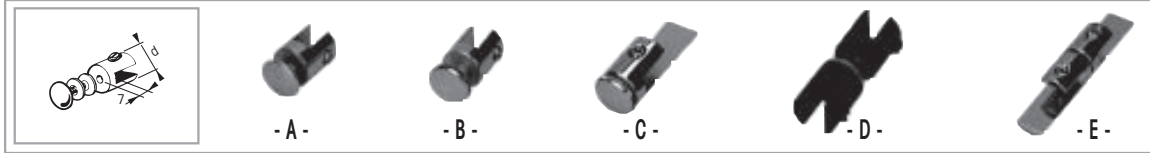
Counter showcase with sliding doors (631 et 635)



Counter showcases can be fitted with sliding doors and opening front-face (see 635a).

		Straight brass clip for assembling counters or showcases, glass thickness up to 8 mm ; tightening by tipped screws ; if applicable, drill to secure the elements.		
			chrome	brass
- A -		1 entry	631 00N	631 01P
- B -		2 entries	631 02Q	631 03R
- C -		3 entries	631 04S	631 05T
- D -		4 entries	631 06U	631 07V
- E -		2 entries with top junction	631 08W	631 09X
- F -		3 entries with top junction	631 10Y	631 11Z
		Clip as above, slanted angles (glace slope : 15°).		
			chrome	brass
- G -		3 entries, lower	631 14C	631 15D
- H -		3 entries with top junction	631 18H	631 19J
- I -		2 entries, lower	631 12A	631 13B
- J -		2 entries, upper	631 20K	631 21L
- K -		2 entries with top junction	631 16F	631 17G

632a - Clip Brackets for Tightened Shelves



Round knob brackets ; cannot be removed from the outside, for fitting onto vertical glass panes, drilled to dia. 12 mm.
Tightening by means of tipped screws.

		Brass clip brackets. Diameter \varnothing (d), side and shelf : in mm.					
		chrome	mat chrome	gold-plated	(d)	side	shelf
- A -		632 40Q	632 30D	632 41R	20	6-8	6-8
- A -		632 45V	632 31F	632 46W	24	6-8	10-12

Serrated knob brackets, to be fitted on vertical glass panes, drilled to dia. 8 mm.
Tightening by means of tipped-screws.

		Brass clip brackets. Diameter \varnothing (d), side and shelf : in mm.					
		chrome	matt chrome	gold-plated	(d)	side	shelf
- B -		632 03Z	632 29C	632 04A	20	6-8	6-8
- B -		632 05B	—	632 06C	24	10	10-12

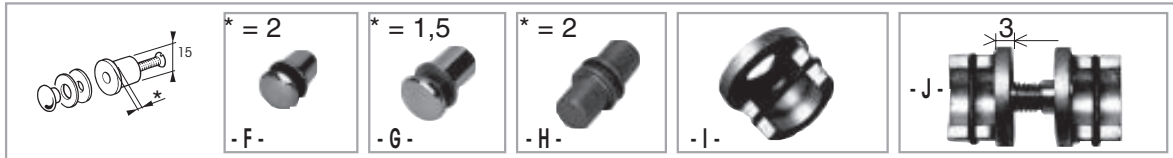
		Brass long clip brackets (length : 50 mm). Diameter \varnothing (d), side and shelf : in mm.					
		chrome	brass	(d)	side	shelf	
- C -		632 07D	632 08F	20	6-8	6-8	

Double brackets, to be fitted on vertical partition panes, drilled to dia. 8 mm.
Tightening by means of tipped screws.

		Brass double clip brackets. Diameter \varnothing (d), partition (par.) and shelf : in mm.					
		chrome	brass	(d)	side	shelf	
- D -		632 23W	632 24X	20	6-8	6-8	
- D -		632 25Y	632 26Z	24	10	10-12	

		Brass long double clip brackets, (length : 50 mm). Diameter \varnothing (d), partition (par.) and shelf : in mm.					
		chrome	brass	(d)	side	shelf	
- E -		632 27A	632 28B	20	6-8	6-8	

Brackets for Free-Standing Shelving - 632b



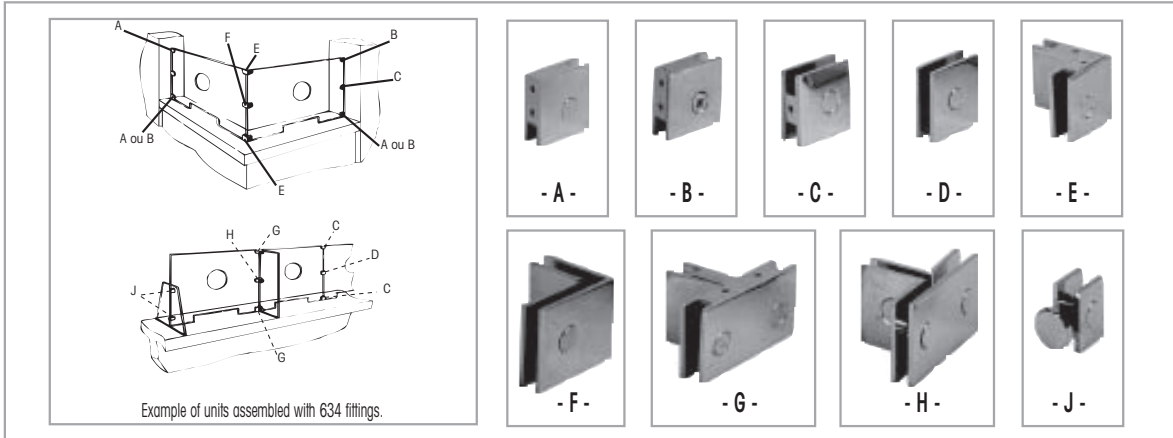
- F -	<p>Brass brackets dia. 15 mm, (flange dia. 20 mm), fixed by round knob ; cannot be removed from the outside ; for fitting onto vertical glass panes, 6 to 8 mm thick, drilled to dia. 12 mm.</p> <p style="text-align: center;">chrome brass 632 50A 632 51B</p>
- G -	<p>Brass brackets dia. 15 mm (flange ø 20 mm), fixed by milled head bottom ; for fitting onto vertical glass panes, 6 to 12 mm thick, drilled to dia. 8 mm.</p> <p style="text-align: center;">chrome gold-plated 632 11J 632 12K</p>
- H -	<p>Brass double brackets dia. 15 mm (flange ø 20 mm), for fitting onto vertical panes, 6 to 10 mm thick, drilled to dia. 8 mm.</p> <p style="text-align: center;">chrome brass 632 65S 632 66T</p>
- I -	<p>Dia. 20 mm truncated cylinder-shaped brackets. Zamak. Matt nickel finish. An O-ring joint, mounted on bracket, stops the shelf from slipping. (This O-ring joint is available as spare part with code 659 65B).</p> <p>Nuts and bolts not supplied. Can be mounted :</p> <ul style="list-style-type: none"> • as single bracket : <ul style="list-style-type: none"> — on wood : use cone-shaped 659 70H for fastening with woodscrew dia. 3.5 (549 51F) ; — on glass (drill : 12 mm) : use as necessary <ul style="list-style-type: none"> • a dia. 20 round knob (659) and screw 659 32R, • a clip-on rosette (518) mounted on base 518 02H (nuts and bolts 659 03K + 659 32R) or 518 04K (nuts and bolts 659 32R).
- J -	<p>as double bracket (drill 8 or 12 mm) : by assembling 2 brackets with a screw</p> <ul style="list-style-type: none"> • 659 30P and a countersunk nut 659 72K.
- I -	<p style="text-align: center;">632 85P</p>

PREFIT

FITTINGS FOR GLASS

Shelf Supports, Small Hinges, Locks & Showcase Fittings

Partition and Hatch Fittings - 634



Example of units assembled with 634 fittings.

		Brass clip for 8 mm thick tempered glass partitions. Tightening by counterplate.		
		chrome	mat chrome	white (RAL 9010)
- A -	straight with RH heel for upper or lower fitting	634 45N	634 54X	634 56Z
- B -	straight with LH heel for upper or lower fitting	634 47Q	634 57A	634 58B
- C -	straight for middle fitting	634 51U	634 52V	634 53W
- D -	straight for intermediate assembly	634 61F	—	—
- E -	right angle, base or top (2 entries)	634 55Y	—	—
- F -	right angle, intermediate (2 entries)	634 63H	—	—
- G -	T-shaped, base or top (3 entries)	634 59C	—	—
- H -	T-shaped, intermediate (3 entries)	634 65K	—	—
- J -	shelf bracket	634 67M	—	—

635 - Modular Showcase Fittings



Horizontal «modular» showcase (635, 639, 640c)



Vertical «modular» showcase (635)



Counter showcase with opening front-face (635)

VERY IMPORTANT : *ADLER*[®] fittings are used for horizontal and vertical modular showcase assemblies :

- with glass or wood,
- with sliding or swinging doors,
- with shelves on brackets or on supports
- etc.

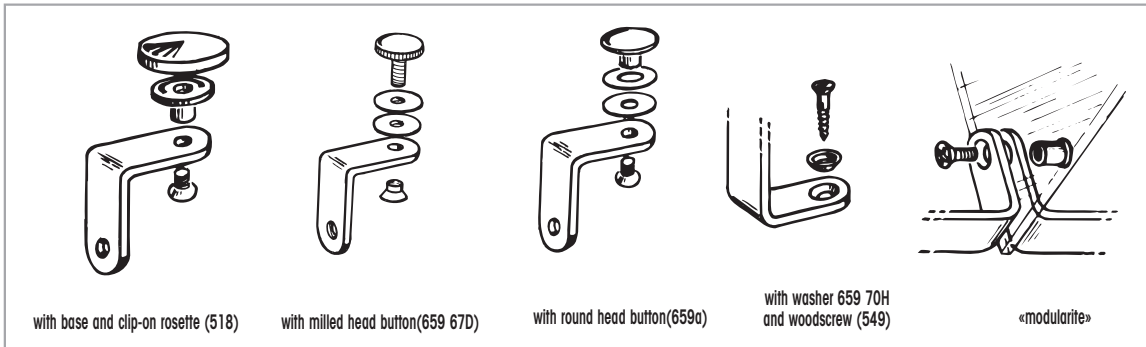
The user is free to choose :

- fitting finish : chromium-plated, matt nickel, aluminium grey, black or bronze,
- and attachment finish from :
 - clip-on rosettes 518 (58 models)
 - or round-head buttons 659a (8 colours)
 - or conventional nuts and bolts 659a (6 colours).

To facilitate the above selection :

- **junction fittings (635-639) are supplied without external fasteners,**
- fittings of different types may often be mixed.

Examples of single angle plate assembly.



with base and clip-on rosette (518)

with milled head button(659 67D)

with round head button(659a)

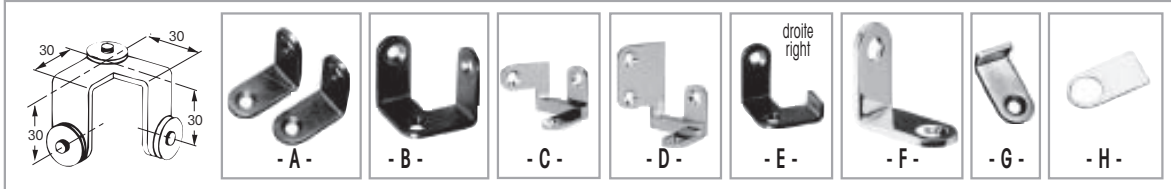
with washer 659 70H and woodscrew (549)

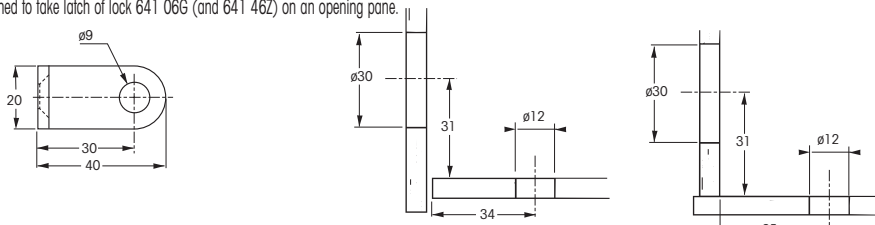
«modularité»

TECHNICAL INFORMATION :

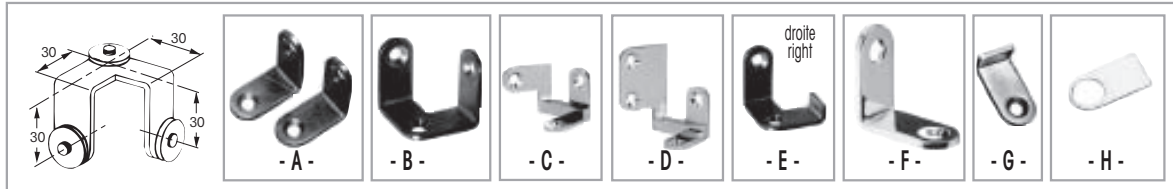
- the «modular showcase parts can be assembled without any notching of glass (except for hinges and compasses) ;
- the drilling «module» is constant : 30 mm inner ;
- the fixing parts are delivered with screws M6 x 10 and plastic washers ;
- the «modularité» involves to enlarge one hole to dia. 9.5 mm.

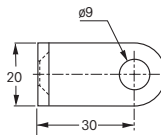
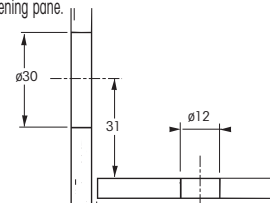
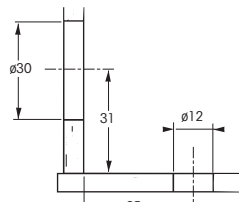
Vertical Modular Showcase Fittings - 635a



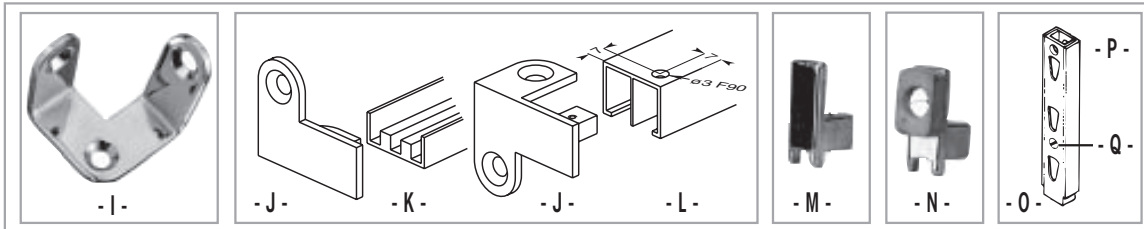
- A -	Simple angle plate for joining two fixed volumes at an angle of 90°. Brass. without ext. bolts	chrome 635 19T	mat nickel 635 01Y	aluminium grey 635 21V	black 635 22W	bronze 635 23X
- B -	Double angle plate for joining 3 fixed volumes at an angle of 90°. Brass. without ext. bolts	chrome 635 09H	mat nickel 635 10J	aluminium grey 635 11K	bronze 635 13M	
- C -	Hinged angle plate for joining 2 fixed volumes at an angle of 90° and an opening of maximum sizes (H x w) 120 x 40 cm (small model) or 140 x 50 cm (large model). Brass. Without ext. bolts.	chrome 635 94Z	mat nickel 635 87S	black 635 17R	bronze 635 18S	
- D -		small model mini internal angle 75° large model-mini internal angle 90° 635 15P	—	—	635 30F	
- E -	Simple angle plate with stop for joining 2 fixed volumes at an angle of 90°. The lug forming the stop for door can take the latch of the lock. Brass. RH fitting ; without ext. bolts	chrome 635 24Y	mat nickel 635 48Z	aluminium grey 635 26A	black 635 27B	bronze 635 28C
—	LH fitting ; without ext. bolts	635 46X	635 92X	635 96B	635 97C	635 98D
- F -	Stop designed to take latch of lock 641 06G (and 641 46Z) on an opening pane.  Dimension 35 : from the axis to the internal face of the fixed pane.			chrome without ext. bolts 635 95A		
- G -	Stop for fitting on a fixed volume to stop a door or leaf ; can take the latch of the lock. Brass. without ext. bolts	chrome 635 29D	aluminium grey 635 31G	black 635 32H	bronze 635 33J	
H -	Counterplate for lock 640 15H (and onwards) and 640 22Q (and onwards) : hides the latch and makes out the original angle with the stop. Brass.	chrome 635 39Q	mat nickel 635 58L	aluminium grey 635 41S	black 635 42T	bronze 635 43U

Vertical Modular Showcase Fittings - 635a



- A -	Simple angle plate for joining two fixed volumes at an angle of 90°. Brass. without ext. bolts	chrome 635 19T	mat nickel 635 01Y	aluminium grey 635 21V	black 635 22W	bronze 635 23X
- B -	Double angle plate for joining 3 fixed volumes at an angle of 90°. Brass. without ext. bolts	chrome 635 09H	mat nickel 635 10J	aluminium grey 635 11K	bronze 635 13M	
- C -	Hinged angle plate for joining 2 fixed volumes at an angle of 90° and an opening of maximum sizes (H x w) 120 x 40 cm (small model) or 140 x 50 cm (large model). Brass. Without ext. bolts.	chrome 635 94Z	mat nickel 635 87S	black 635 17R	bronze 635 18S	
- D -		small model mini internal angle 75° large model-mini internal angle 90° 635 15P	—	—	635 30F	
- E -	Simple angle plate with stop for joining 2 fixed volumes at an angle of 90°. The lug forming the stop for door can take the latch of the lock. Brass. RH fitting ; without ext. bolts	chrome 635 24Y	mat nickel 635 48Z	aluminium grey 635 26A	black 635 27B	bronze 635 28C
—	LH fitting ; without ext. bolts	635 46X	635 92X	635 96B	635 97C	635 98D
- F -	Stop designed to take latch of lock 641 06G (and 641 46Z) on an opening pane.    Dimension 35 : from the axis to the internal face of the fixed pane.	without ext. bolts	chrome 635 95A			
- G -	Stop for fitting on a fixed volume to stop a door or leaf ; can take the latch of the lock. Brass. without ext. bolts	chrome 635 29D	aluminium grey 635 31G	black 635 32H	bronze 635 33J	
H -	Counterplate for lock 640 15H (and onwards) and 640 22Q (and onwards) : hides the latch and makes out the original angle with the stop. Brass.	chrome 635 39Q	mat nickel 635 58L	aluminium grey 635 41S	black 635 42T	bronze 635 43U

635a - Vertical Modular Showcase Fittings



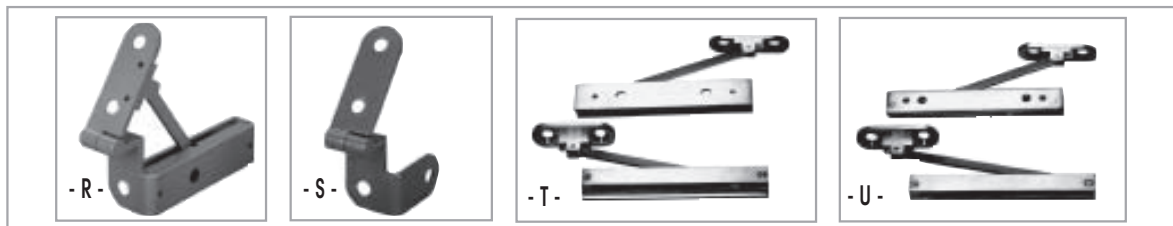
- I -	Double slanted angle plates (15°) for front-face opening or fixed maintained with : — round head button \varnothing 20 mm — or milled head button \varnothing 20 mm or split head screw and nut. Brass.	chrome without ext. bolts	635 93Y		
- J -	Angle clips for fitting the brass roller track ; it also ensures connections between vertical sides and horizontal panels in the showcase. Also compatible with clips for counter showcases (631). Brass.	chrome without ext. bolts	mat nickel 635 89U	black 635 50B	bronze 635 51C
- K - - L - — —	Brass roller track for showcases with sliding panes. System with steel rollers mounted on ball bearings (600-602\$a\$). Width of glasses and composition, see below. Brass. Length L according to finish. (Angle clips - J - supplied separately, on request).		L 4m chrome	L 4m brass with lead time	L 2m black
	lower track, upper slide, shoe section slide 16 x 28 x 16 for side-mount (without felt)	602 01M 602 05R 602 09V 602 11X	602 02N 602 06S 602 10W 602 12Y	635 65T 635 60N 635 68W 635 77G	
- - -	Above profiles, normally delivered in lengths may be cut in 2 or 3 sections for transport. On request, they can also be cut to measure. Indicate the length of each element (tolerance: \pm 1 mm; specify when a finer precision is required). This service has a delivery time and is invoiced under code-number.		999 09X		
- M - - N -	Fittings for above brass roller track.	end fitting end fitting with rubber stop	chrome 600 36H 600 40M	black — 635 74C	bronze 635 73B 635 75D
	Other spare parts and fittings, see 600-602\$a\$.				

- Shoe section length: (bay window width + 50 mm) x 1/2
- Theoretical pane width: shoe - 3 mm
- Pane height: H - 35 mm
- Length of runner section for side mount: For an opening of height H, provide a length H - 32 mm
- Max. load per roller (kg): 10
- Max. number of rollers: 4
- 2 end fittings or 1 end fitting and 1 lock per shoe section
- Drill the top slide for installation of attaching brackets.

Vertical Modular Showcase Fittings - 635a

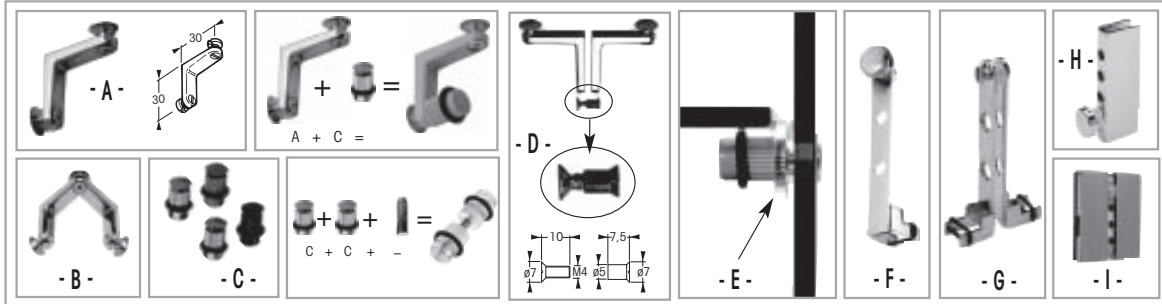
		Rack width 15 mm with button holes at 34 mm intervals to assemble shelf supports and brackets from 612 and 613. Brass. 4m length. (Polished brass : with delivery time).			
- O -			chrome	brass	
		by length	611 90M	611 09Y	
- P -		10 x 20 x 10 slide (not drilled). Brass. 4m length. (Polished brass : with delivery time).			
			chrome	brass	
		by length	602 26P	602 27Q	
- Q -		Screws to fix rack on wrapping slide 10 x 20 x 10. Set including 10 spacers and 20 metal screws dia. 4, 90° countersunk, length 5 mm.			
		chrome	aluminium grey	black	bronze
		602 71N	602 72P	602 73Q	602 74R

Horizontal Modular Showcase Fittings - 635b



		Hinged angle-plates for joining 2 vertical fixed panels at 90°, and a cover ; compass holding 2 opening positions. Brass. Without external bolts. Maximum cover dimensions : (D x L) 50 x 70 cm.				
- R -		chrome	mat nickel	aluminium grey	black	bronze
- S -	with compass	635 00X	635 90V	635 02Z	635 03A	635 04B
	without compass	635 05C	—	635 06D	635 07F	635 08G
- T -		Glass/glass compass unit . Maximum panel thickness : 8 mm, drilled to dia. 12.5. Brass.				
			without external bolts	chrome		
				635 37N		
- U -		Glass/wood compass for lid with a maximum thickness of 8 mm. Compass fastened by wood or metal screws, dia. 3 (not supplied). Brass.				
			without ext. bolts	chrome	mat nickel	
				635 38P	635 63R	

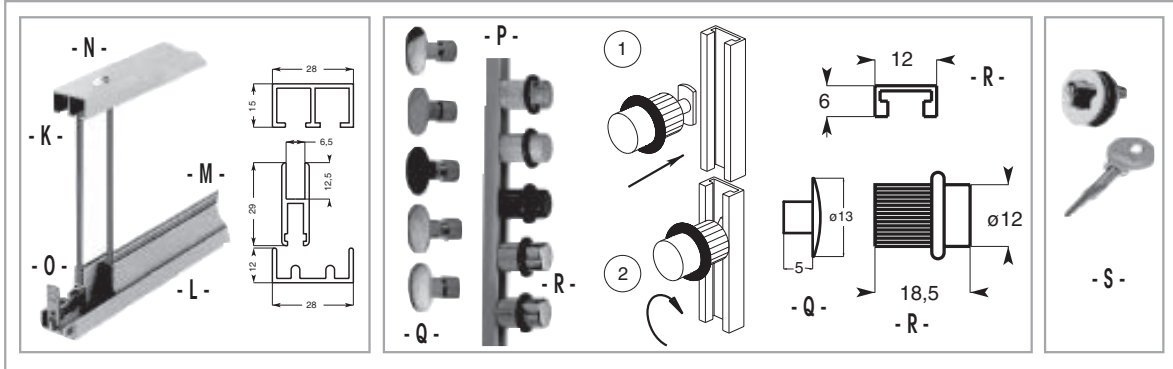
637 - Integral Showcase Fittings



These fittings provide joints between 6 mm glass panels drilled to dia. 8 mm.

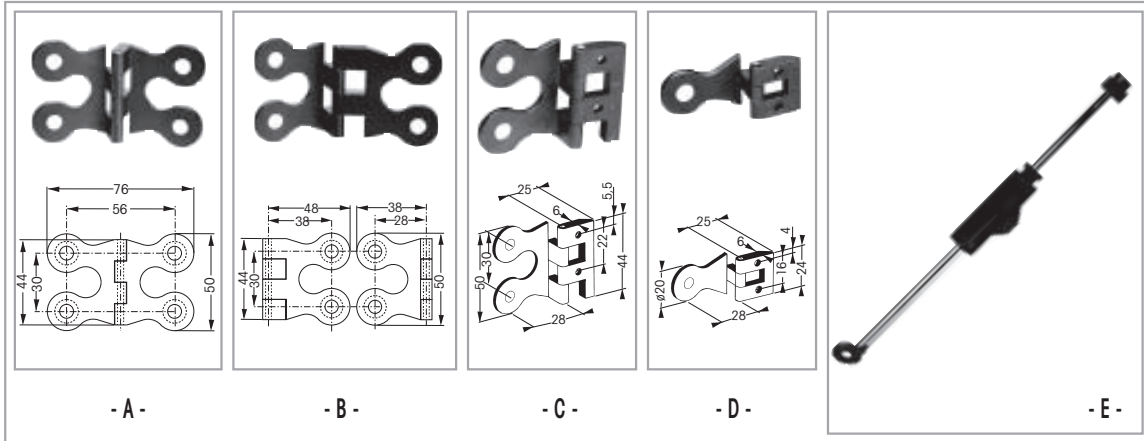
	Fasteners, 2 or 3 directions	chrome	gold	zinc plated	black	grey	
- A -	2 directions	637 05V	637 06W	637 13D	637 14F	637 15G	
- B -	3 directions	637 07X	637 08Y	637 16H	637 19L	637 20M	
	Single clip with knob in same finish. With threaded rod for making double clip.	chrome	gold	black	grey		
- C -		637 09Z	637 10A	637 28V	637 31Y		
	Single clip with crystal head, with threaded rod for making double clip.	button finish	chrome	gold	zinc plated	black	grey
- C -		637 39H	637 40J	637 43M	637 44N	637 47R	
	Countersunk head nuts and screws for double fasteners. Zinc plated.						
- D -				637 03T			
	Spacer for simple bracket. ø22, th. 6 mm.						
- E -				637 48S			
	Simple or double mini racks.	chrome	gold	black	grey		
- F -	simple racks	637 33A	637 34B	637 66M	637 67N		
- G -	double racks	637 37F	637 38G	637 68P	637 69Q		
	Simple or double «tilted shelf» system.	chrome	gold	black	grey		
- H -	simple system	637 41K	637 42L	637 62H	637 63J		
- I -	double system	637 45P	637 46Q	637 64K	637 65L		
	Plastic translucent adhesive retaining rule for «tilted shelf». Length 2 m.						
-				637 70R			
	2.5 mm 6-flat wrench.						
-				637 71S			

Integral Showcase Fittings - 637



		Economical standard roller track in anodized aluminium, for sliding doors, glass thickness 5 to 6 mm. System with roller bearing stop. Sold by to 3 m length (± 5 cm)						
- K - - L - - M -	upper slide lower slide and rail shoe section	natural 604 22B 604 32N 604 34Q	brass 604 42Y 604 44A 604 46C	bronze 604 43Z 604 45B 604 47D				
- K - - L - - M -	Roller track (as above), parts sold by length. upper slide lower slide and rail shoe section	natural 604 21A 604 23C 604 33P	brass 604 48F 604 50G 604 52K	bronze 604 49G 604 51H 604 53L				
- N - - O -	Fittings for above roller track. upper slideway attachment sockets roller bearing stop	natural — 604 20Z	chrome 604 35R —	gold 604 36S 604 54M	bronze — 604 55N	zinc plate 604 37T —	black 604 38U —	grey 604 39V —
- P -	Slide for rack upright, natural anodized aluminium (not drilled)				609 70X			
- Q -	Fixing socket for right upright.	chrome 609 71Y	gold 609 72Z	zinc plated 609 73A	black 609 74B	grey 609 75C		
- R -	Bracket for right upright	chrome 609 76D	gold 609 77F	black 609 78G	grey 609 79H	crystal 609 80J		
- S -	Lock for glass pane. Drilled with 18 mm dia. hole OD 25 mm.	different key numbers	chrome 637 61G	gold 637 60F	bronze 637 59D			

639a - Vanesse Hinges and Fittings



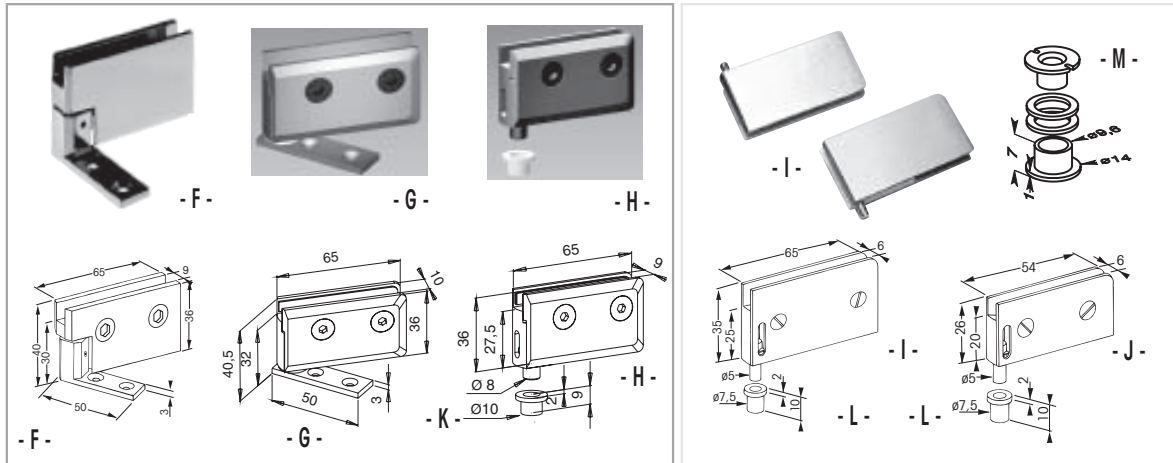
«Vanesse» hinges can be fitted, as required :

- on glass with round head buttons, dia. 20 mm, (see 659) and screws 659 32R or clip-on rosettes (see 518) ;
- on wood, with washers 659 70H and screws 3.5 (549 51F).

With the matt nickel finish, they can be combined with 635 junction fittings.

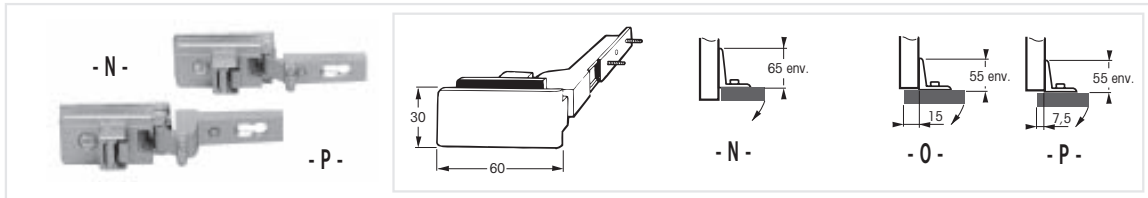
- A - - B -	«Vanesse» double hinges. Matt nickel. Without bolt. for 2 panels at an angle of 180° for 2 panels at an angle of 90°	639 00H 639 01J
- C - - D -	«Vanesse» simple hinges. Matt nickel. Without bolt, except woodscrews. large model small model	639 02K 639 03L
- E -	Friction compass, ADLER ® adaptation. Designed for assembling : • a raising or lowering glass partition • and a glass or wooden side. The compasses are supplied with fixing plates on the leaf. The external fixing elements can be chosen from the following : • round head button (see 659) • or clip-on rosettes (see 518). Finish : black body, chromium-plated shank. Shank length : 250 mm	639 20D
-	Elements for fastening friction compass on wooden side. Comprising : one screw plate and 2 woodscrews F/90 - 3 x 20.	matt nickel 639 21F
-	Fixing base for friction compass on glass side. ADLER ® adaptation. Can be fitted as required with : • round head button (see 659) • clip-on rosette (see 518).	matt nickel 639 22G

Showcase Hinges - 639 - 640b



	Brass hinges ADLER ®, upper and lower, «Prestige» range. Rotation on ball. On plate, to be secured with screws (supplied). Tightening with counterplate. For door made of 6 to 8 mm glass. With cork shims.				
- F -		chrome	mat chrome	gold	
- F -	model for notched glass	640 01S	640 49U	640 00R	
	model for notched and drilled glass	640 11C	640 51W	640 47S	
- G -	Aluminum bronze hinges ADLER ® TOP AND BOTTOM. "DESIGN" range, to be secured on plate using screws (supplied) or on retractable pivot. Counterplate tightening. For 6 to 8-mm thickness. With cork shims. Notch and glass drilling.				
- H -		chrome	mat chrome	gold	
	on plate	639 50M	639 51N	639 52P	
	on pivot (with polyacetal base, supplied)	639 53Q	639 54R	639 55S	
- I -	Zamak hinges, «Economy» range (one model has a zamak outer surface and a nylon inner surface) ; simple assembly thanks to the retractable pivot ; supplied with shims and sockets in nylon for pivots. For panels of a maximum thickness of 5 mm.				
- J -		glazed chrome	glazed gold	chrome	gold
	large model (65 x 35 mm) 1 zamak surface, 1 nylon surface	640 58D	640 59F	—	—
	large model (65 x 35 mm) 2 zamak surfaces	640 60G	640 61H	—	—
	small model (54 x 26 mm) 2 zamak surfaces	640 62J	640 63K	640 64L	640 65M
- K -	Polyacetal sockets for hinges on pivots.				
- L -		for 639 53Q and 639 55S for 640 58D to 640 65M	640 90P 640 42M		
- M -	Socket for glass-mounting of hinges 640 58D to 65M	chrome	gold		
		640 66N	640 67P		

639-640c - Showcase Hinges with Stop



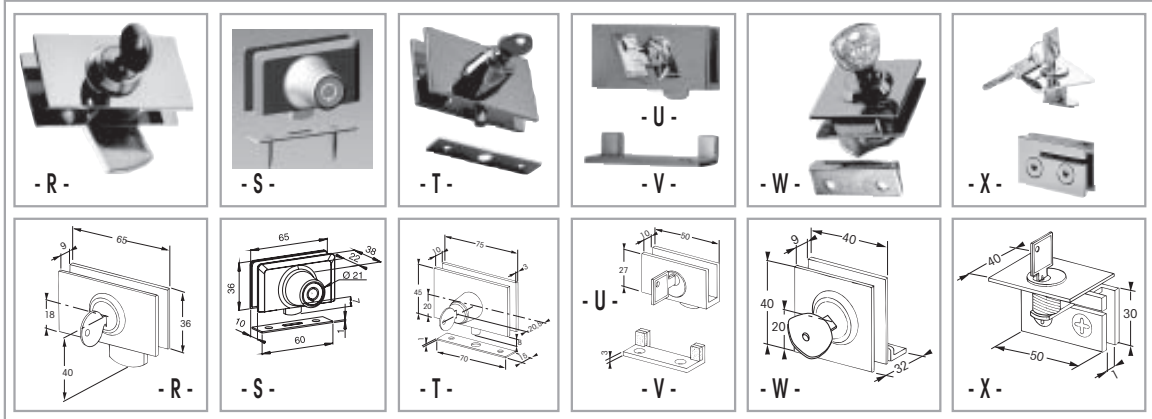
		Aluminium hinge for doors made of glass or any other material (wood, metal, plywood), glazed finish ; maximum load : 6 kg per 5 mm thick panel, 3 possible positions for opening panel.			
			opening	satin nickel	gold
- N -		inserted opening panel	90°	640 35D	640 36F
- O -		complete overlap	180°	640 39J	640 40K
- P -		half-overlap	100°	640 37G	640 38H

639-640cd - Locks Without Cut-Out



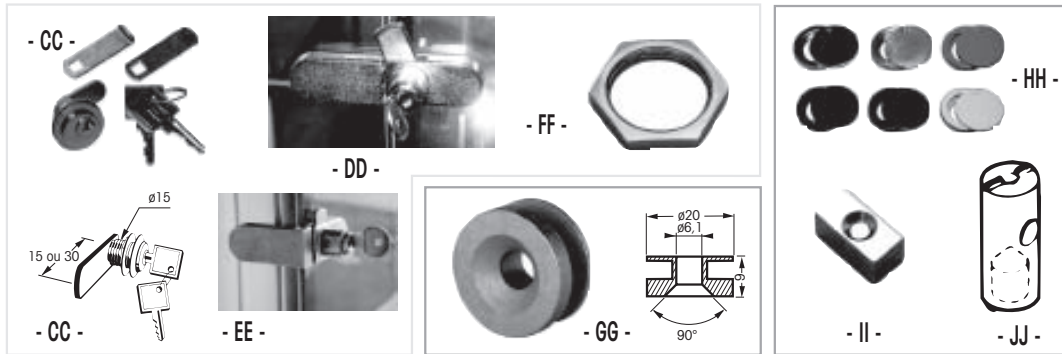
		Contoured handle lock for showcase. For 5 and 6 mm thick glass. Zamak. The key can be removed in the locked and unlocked position.			
			Chrome	gold	black
- Q -		different key numbers	640 31Z	640 41L	640 45Q
- Q -		same key number	640 29X	640 34C	640 43N

Locks for Showcases - 639-640e



- R - - R -	Brass lock for showcase ; tightening by means of counterplate, for glass thickness 6 to 8 mm. With cork shims. ADLER ® adaptation. The key can be removed in the open and locked position.	different key numbers same key number	chrome 640 95U 640 97W	mat chrome 639 67F 639 68G	gold-plated 640 96V 640 98X
- S - - S -	Bottom lock for showcase, brass. "DESIGN" range, tightening with counterplate. Supplied complete with strike plate, securing screws, 2 keys, 2 x 2 cork shims for 6 or 8 mm thick glass, 1 PVC shim 659 28M for vertical adjustment inside the notch. ADLER ® derived. The tubular key can be removed in locked position.	different key numbers same key number	chrome 639 56T 639 59W	mat chrome 639 57U 639 60X	gold-plated 639 58V 639 61Y
- T - - T -	Brass low lock for showcase ; tightening by means of counterplate, for glass thickness 6 to 8 mm. Supplied with plate. ADLER ® adaptation. The key can be removed in the open and locked position.	different key numbers same key number	chrome 640 03U 640 07Y	gold-plated 640 04V 640 08Z	
- U - - U - - V -	Brass lock for showcase ; tightening by means of tipped screw for glass 6 to 8 mm thick. With cork shims. ADLER ® adaptation. The key can be removed in the locked position ; optional stop.	different key numbers same key number plate catch	chrome 640 09A 640 13F 640 17K	mat chrome 639 62Z 639 63A 639 66D	gold-plated chrome 640 10B 640 14G 640 18L
- W - - W -	Brass lock for showcase, tightening by counterplate, for glass 6 to 8 mm thick. With catch and cork shims. ADLER ® adaptation. The key can be removed in the open and locked position.	different key numbers same key number	chrome 640 91Q 640 93S	gold-plated 640 92R 640 94T	
- X - - X -	Brass lock mounted on plate, for cover made of glass or other materials 8 mm thick, drilled to dia.16 mm. Supplied with a catch clip, tightening by means of a counterplate for 8 mm thick glass or other materials. The key can be removed in the locked position.	different key numbers same key number	chrome 640 32A 640 30Y		

Locks for Showcases - 639-640e



	<p>Lock for glass or other materials 5 to 10 mm thick, drilled to dia. 18 mm. Thread length between two 1 mm thick washers : 9 mm. Supplied with a curved latch (only for chrome finish) and 2 straight latches (length 15 and 30 mm). The key can be removed in the locked position.</p>																
- CC -	<table border="0"> <tr> <td>barrel</td> <td>chrome</td> <td>chrome</td> <td>brass ①</td> </tr> <tr> <td>different key numbers</td> <td>chrome</td> <td>mat nickel</td> <td>chrome</td> </tr> <tr> <td>same key number</td> <td>639 64B</td> <td>640 23R ②</td> <td>640 26U</td> </tr> <tr> <td></td> <td>639 65C</td> <td>640 22Q ②</td> <td>640 28W</td> </tr> </table> <p>① with 2 straight bolts ② use of wrench 640 86K facilitates assembly or nut 640 24S.</p>	barrel	chrome	chrome	brass ①	different key numbers	chrome	mat nickel	chrome	same key number	639 64B	640 23R ②	640 26U		639 65C	640 22Q ②	640 28W
barrel	chrome	chrome	brass ①														
different key numbers	chrome	mat nickel	chrome														
same key number	639 64B	640 23R ②	640 26U														
	639 65C	640 22Q ②	640 28W														
- DD - - EE -	<p>Disk lock with latch for French windows. Nickel-plated Zamak finish, same key (the key can be removed in locked position). Two mounting options:</p> <p>a) Without notch; lock to be mounted using double-sided adhesive (allow 24 hrs' for drying);</p> <p>b) Screw on; this requires a 6-mm hole in the glass</p> <p>Double door version 639 08R Single door version (without notch for this version, to be secured using double-sided adhesive). 639 09S</p>																
- FF -	<p>Hexagonal nut for locks 640 22Q, 640 23R, 640 30Y and 640 32A. (Avoid using wrench 640 86K)</p> <p>640 24S</p>																
- GG -	<p>ADLER® lock stop. For fitting on opening leaf, fastened, in principle, with a closure knob (699 50J onwards) and a screw (659 30P). Specially designed for lock 640 23R on fixed volume. (When lock 640 23R is fitted on the opening leaf, use stop 635 53F).</p> <p>mat nickel 640 87L</p>																
- HH -	<p>ADLER® lock cover. dia. 25 mm. Hides lock 640 23R. Brass.</p> <table border="0"> <tr> <td>chrome</td> <td>brass</td> <td>red</td> <td>black</td> <td>blue</td> <td>yellow</td> </tr> <tr> <td>640 80C</td> <td>640 81D</td> <td>640 82F</td> <td>640 83G</td> <td>640 84H</td> <td>640 85J</td> </tr> </table>	chrome	brass	red	black	blue	yellow	640 80C	640 81D	640 82F	640 83G	640 84H	640 85J				
chrome	brass	red	black	blue	yellow												
640 80C	640 81D	640 82F	640 83G	640 84H	640 85J												
- II -	<p>ADLER® brass brackets square 8 mm. Length 15 mm. With wood screws. To use as lock stop.</p> <table border="0"> <tr> <td>chrome</td> <td>brass</td> </tr> <tr> <td>660 32Z</td> <td>660 33A</td> </tr> </table>	chrome	brass	660 32Z	660 33A												
chrome	brass																
660 32Z	660 33A																
- JJ -	<p>Stud wrench for tightening locks 640 15H (onwards), 640 22Q, 640 23R, 640 30Y and 640 32A.</p> <p>640 86K</p>																

639-640f - Catches



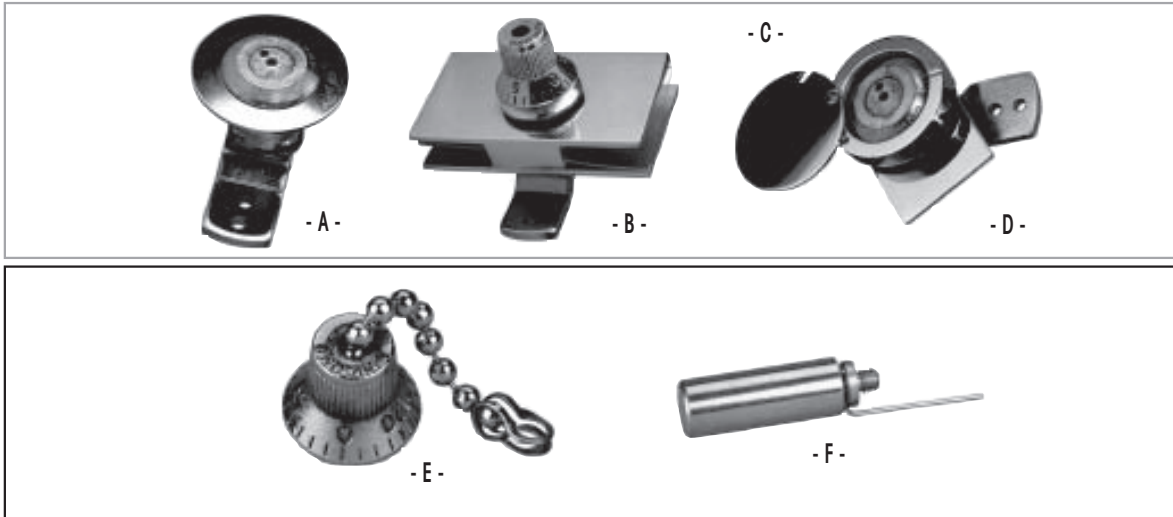
- KK -	Screw-on "push-release" magnetic latch, black finish Dimensions: length: 57mm, width: 28 mm	639 04M
- LL -	Clamp for magnetic push-rod latch, black steel finish, with self-adhesive shim. Length: 40 mm - Height 15 mm, glass thickness: 6 mm	639 05N
- MM -	Socket pivot clamp, black steel finish, Tightening by metal screw. Length: 40 mm. Height: 15.5 mm - Supplied with shim for glass, 6 mm	639 07Q
- NN -	Magnetic brass catch. Fixing clamp, without notch ; opening : 10 mm ; screw-tightening ; with woodscrews. ADLER® adaptation.	chrome 640 05W brass 640 06X
- OO -	Steel catch, secured by screws.	chrome 640 33B
- PP -	Counterplate magnet. With this assembly, the magnet is secured on the wood side and the counterplate on the glass side (with part 640 73V). Supplied with a woodscrew (F/90 3 x 20).	640 70S
- QQ -	Steel counterplate screw, dia. 20 mm, used with magnet 640 70S, when the opening leaf is surface mounted (mini overlap : 10 mm). It is fitted with a clip-on rosette (518) or a round head button (659) or a closure knob (699).	mat nickel 640 72U
- QQ -	Magnet plate for securing magnet 640 70S on the glass side . can be fitted with screw 659 32R and round head button (659) or clip-on rosette (518). Supplied with self-tapping screw F/90 M3 L5.	mat nickel 640 71T
- QQ -	Cover for magnet counterplate 640 70S, when the magnet is flush mounted. Can be fitted with, a clip-on rosette (518) or a round head button (659) or a closure knob (699). Supplied with a self-tapping screw F/90 M3 L5.	mat nickel 640 73V

639-640f - Catches



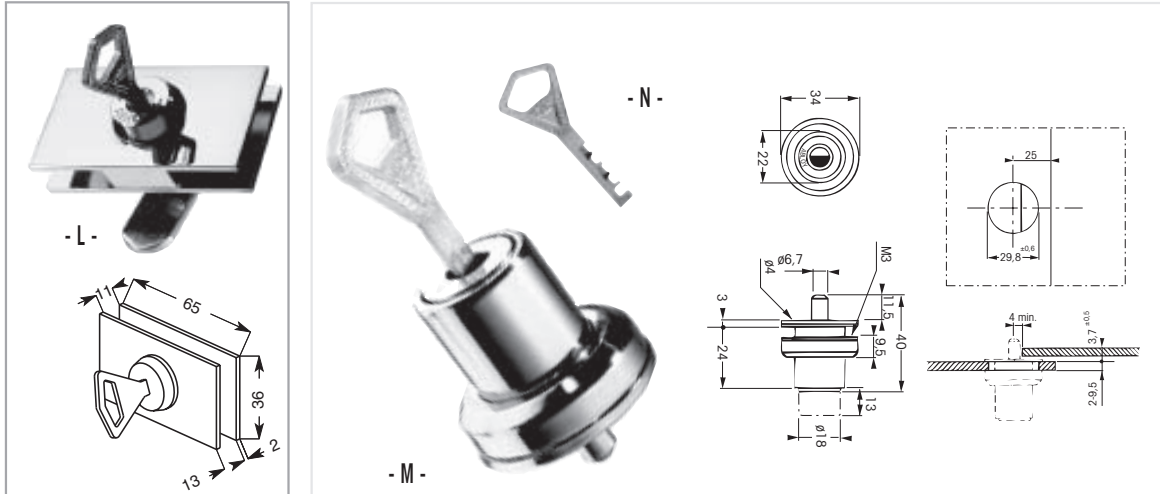
- KK -	Screw-on "push-release" magnetic latch, black finish Dimensions: length: 57mm, width: 28 mm	639 04M
- LL -	Clamp for magnetic push-rod latch, black steel finish, with self-adhesive shim. Length: 40 mm - Height 15 mm, glass thickness: 6 mm	639 05N
- MM -	Socket pivot clamp, black steel finish, Tightening by metal screw. Length: 40 mm. Height: 15.5 mm - Supplied with shim for glass, 6 mm	639 07Q
- NN -	Magnetic brass catch. Fixing clamp, without notch ; opening : 10 mm ; screw-tightening ; with woodscrews. ADLER® adaptation.	chrome 640 05W brass 640 06X
- OO -	Steel catch, secured by screws.	chrome 640 33B
- PP -	Counterplate magnet. With this assembly, the magnet is secured on the wood side and the counterplate on the glass side (with part 640 73V). Supplied with a woodscrew (F/90 3 x 20).	640 70S
- QQ -	Steel counterplate screw, dia. 20 mm, used with magnet 640 70S, when the opening leaf is surface mounted (mini overlap : 10 mm). It is fitted with a clip-on rosette (518) or a round head button (659) or a closure knob (699).	mat nickel 640 72U
- QQ -	Magnet plate for securing magnet 640 70S on the glass side . can be fitted with screw 659 32R and round head button (659) or clip-on rosette (518). Supplied with self-tapping screw F/90 M3 L5.	mat nickel 640 71T
- QQ -	Cover for magnet counterplate 640 70S, when the magnet is flush mounted. Can be fitted with, a clip-on rosette (518) or a round head button (659) or a closure knob (699). Supplied with a self-tapping screw F/90 M3 L5.	mat nickel 640 73V

Safety Locks for Showcases - 641



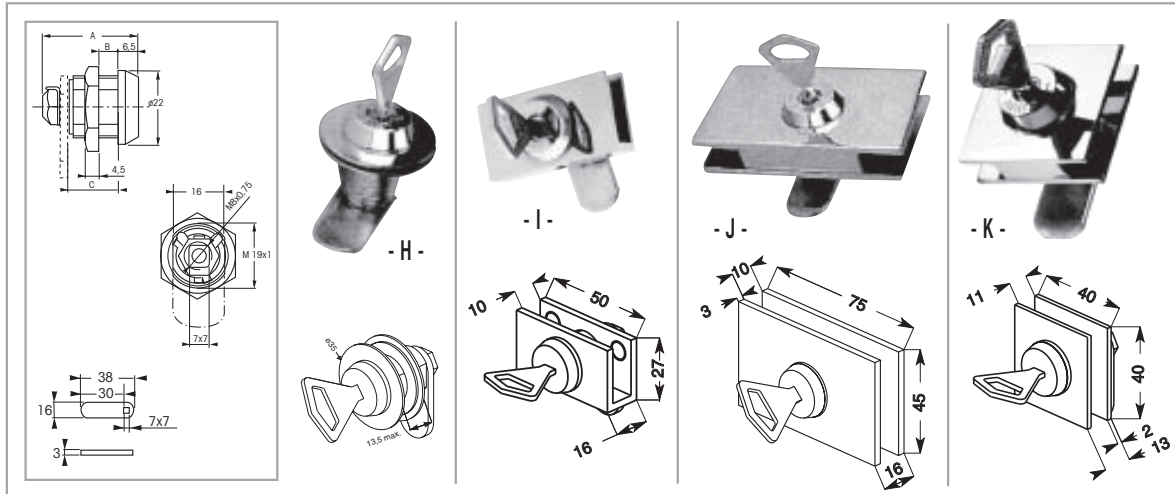
- A -	641 00Z	Combination lock operating without key on more than 11,000 secret codes. Code change as desired. Fitted on a 1 to 12 mm panel (shim not included). Dia 22 mm hole. 4-way articulating and reversible cam for internal or external offset. 180° left or right opening movement. Supplied with 2 metal washers and 2 plastic washers (1 mm thick).
- B -	chrome 641 08J	Combination lock mounted on 65 x 36 mm clip for 6 mm to 8 mm thick glass door. With cork shims. Brass. Notch identical to locks 640 91Q and 640 44P (onwards). Supplied without knob. ADLER ® adaptation.
- C -	chrome 641 09K	Cover for combination lock. Brass. Outer dia. 30 mm. Supplied without lock.
- D -	chrome 641 10L	Cover for combination lock bolt. Brass. For mounting on lock.
- E - - F -	641 02B 641 03C	Fittings for combination lock. detachable knob code change tool

641 - Safety Locks for Showcases



	<p>Disk lock with counter plate clip 65 x 36 mm, for glass door 6 to 8 mm thick. Length A : 37 mm ; B : 13.5 mm ; C : 22.5 mm. Brass. With cork shims. Notch identical to locks from 640 44P and 640 91Q onwards. ADLER® adaptation.</p>		chrome
- L -	different key numbers supplied with 2 keys		641 15R
- L -	same key number supplied without key (on request)		641 39S
	<p>Spring lock, 7 disks. Zinc cylinder ; steel cam, plate and clamping washer ; brass body. For door 2 to 9,5 mm thick. For stop, see 635 95A.</p>		chrome
- M -	different key numbers supplied with 2 keys.		641 06G
- M -	same key number supplied without key (on request)		641 46Z
	Key for safety disk and spring lock.		chrome
- N -	ordered with lock		641 51F
- N -	ordered without lock		641 52G
	<p>A safety lock may exceptionally be coded with an existing number (i.e. for a replacement). Enclose the key in ordering.</p>		
-	extra cost per lock		641 55K

Safety Locks for Showcases - 641



Disk lock, 11 disks. More than 360 million different keys. Very great resistance to all fine opening techniques. Chart on request. Brass body, 90° or 180° opening movement. The key can be removed in locked position. Safety locks are normally supplied with different combinations. Same combination on request (increases delivery time); the keys must be ordered separately.

		Disk lock supplied with 2 chromium plated brass washers and 2 wedging washers (thickness : 1 mm). Glass drilled to \varnothing 22 mm. Available in 2 total lengths (A) : — A = 37 mm, i.e. C = 22,5 mm, for a door with maximum thickness 13,5 mm (B), — A = 43 mm, i.e. C = 28,5 mm, for a door with maximum thickness 19,5 mm (B).	short barrel	long barrel (on request)
- H -	different key numbers supplied with 2 keys.	641 04D		641 60Q
- H -	same key number supplied without key (on request)	641 19V		641 50D
		Disk lock mounted on 50 x 27 mm clip, tightening by screw for glass door 6 to 8 mm thick. Length A : 37 mm ; B : 13,5 mm ; C : 22,5 mm. Brass. With cork shims. Notch identical to locks from 640 09A onwards. Mounted without stop. ADLER ® adaptation.	chrome	
- I -	different key numbers supplied with 2 keys	641 11M		
- I -	same key number supplied without key (on request)	641 42V		
		Disk lock with counter plate clip 75 x 45 mm for glass door 6 to 8 mm thick . Length A : 37 mm ; B : 13,5 mm ; C : 22,5 mm. Brass. With cork shims. Notch identical to locks from 640 03U onwards. ADLER ® adaptation.	chrome	
- J -	different key numbers supplied with 2 keys	641 12N		
- J -	same key number supplied without key (on request)	641 43W		
		Disk lock with counter plate clip 40 x 40 mm, in chromium-plated brass . Notch identical to locks from 640 44P and 640 91Q onwards. Available in 2 total lengths (A) : — A = 37 mm, i.e. C = 22,5 mm, for a door with maximum thickness 13,5 mm (B), — A = 43 mm, i.e. C = 28,5 mm, for a door with maximum thickness 19,5 mm (B). With cork shims. ADLER ® adaptation.	short barrel	long barrel (on request)
- K -	different key numbers supplied with 2 keys	641 13P		641 48B
- K -	same key number supplied without key (on request)	641 38R		641 44X