

PREFIT

FITTINGS FOR GLASS



For 6mm to 8mm Glass - STREMLER CORALIA

www.prefit-fittings.com

SINGLE HINGES

FOR 6 TO 8MM GLASS SHOWER SCREENS

GENERAL FEATURES

Made of brass.

Stainless steel rotation pin.

Max load 25 kg, for loads exceeding 25 kg a third hinge must be fitted.

3060.**.0

Single hinge with 2 fixing points without blocking point

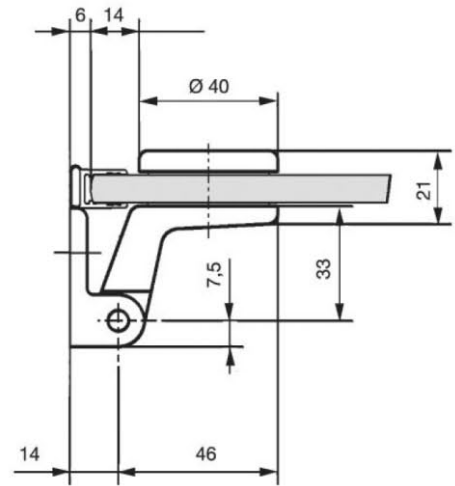
- Opening through 90°.

One shower door panel

- Glass door panel blocking by shim ref. 2812.06.0.

Two shower door panels

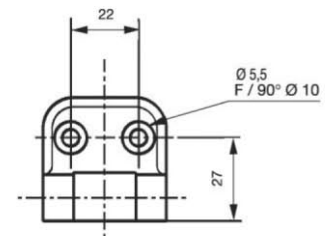
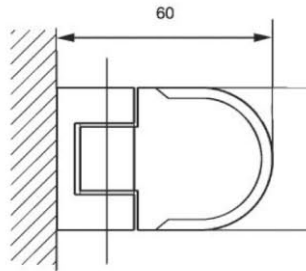
- Shower door blocking by magnetic strips.
- Ref 2816.00.0 - 180° blocking point.
- Ref 2813.00.6 - 90° blocking point.
- Supplied with screws and gaskets.
- Sold in pairs.



REFERENCE

FINISH

3060.00. 0	Polished brass
3060.05. 0	Polished brass PVD
3060.30. 0	Bright chromium
3060.31. 0	Matt chromium
3060.35. 0	Stainless steel effect
3060.50. 0	Lacquered



3069.**.0

Single hinge with 2 fixing points without blocking point

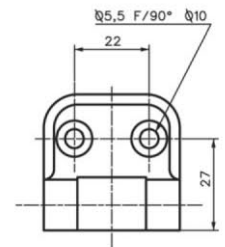
- Opening through 90°.

One shower door panel

- Glass door panel blocking by shim ref. 2812.06.0.

Two shower door panels

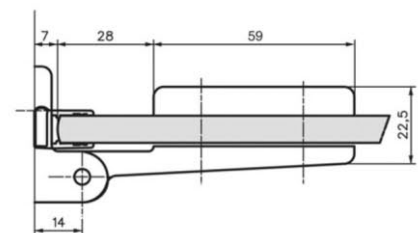
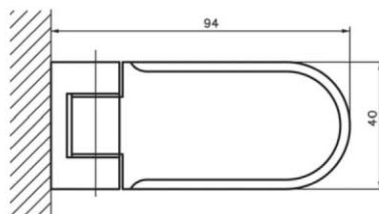
- Shower door blocking by magnetic strips.
- Ref 2816.00.0 - 180° blocking point.
- Ref 2813.00.6 - 90° blocking point.
- Supplied with screws and gaskets.
- Sold in pairs.



REFERENCE

FINISH

3069.00. 0	Polished brass
3069.05. 0	PVD Polished brass PVD
3069.30. 0	Bright chromium
3069.31. 0	Matt chromium
3069.35. 0	Stainless steel effect
3069.50. 0	Lacquered



GENERAL FEATURES

For 6 and 8mm thick glass.

Made of brass.

Stainless steel rotation pin.

Max load 25 kg, for loads exceeding 25 kg a third hinge must be fitted.

3062..0**

Glass to glass shower hinge without blocking point

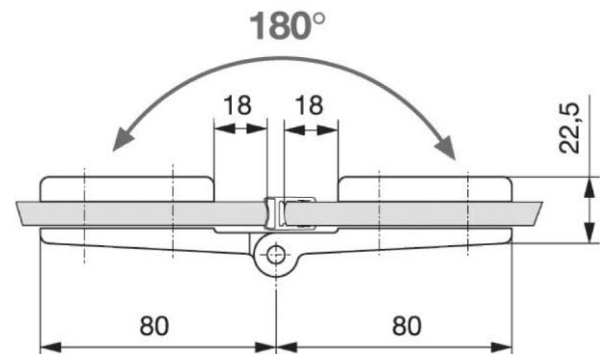
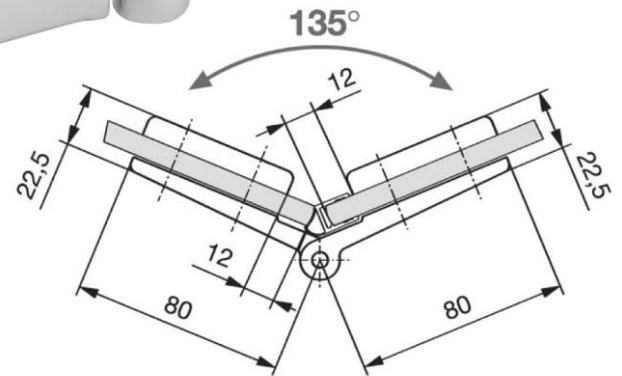
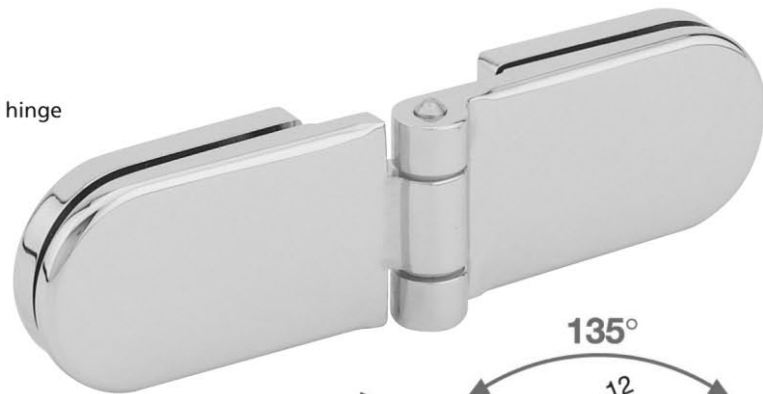
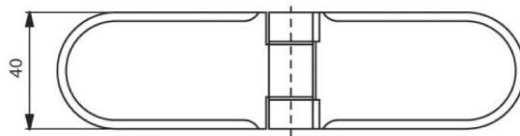
- Opening through 180°, 180° blocking point by magnetic strips ref 2813.00.0.
- Opening through 112°, 135° blocking point by magnetic strips ref 2813.00.5.
- Supplied with spacers.
- Sold in pairs.

REFERENCE

- 3062.00. 0
- 3062.05. 0
- 3062.30. 0
- 3062.31. 0
- 3062.35. 0
- 3062.50. 0

FINISH

- Polished brass
- Polished brass PVD
- Bright chromium
- Matt chromium
- Stainless steel effect
- Lacquered



3063..0**

Corner shower hinge, Overlapping shower hinge glass to glass without blocking point

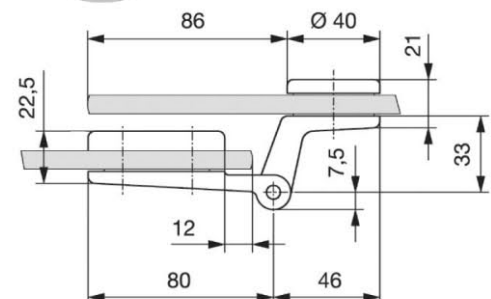
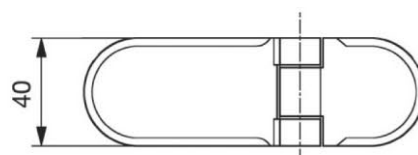
- Opening through 180°, blocking point 90° by magnetic strips series 2813.00.6.
- Blocking point 180° by magnetic strips series 2813.00.1.
- Supplied with spacers.
- Sold in pairs.

REFERENCE

- 3063.00. 0
- 3063.05. 0
- 3063.30. 0
- 3063.31. 0
- 3063.35. 0
- 3063.50. 0

FINISH

- Polished brass
- Polished brass PVD
- Bright chromium
- Matt chromium
- Stainless steel effect
- Lacquered



FOR 6 AND 8MM FIXED SHOWER SCREENS

3075

Partition clip for fixed panel

- For 6 and 8mm glass.
- Made of aluminium bronze.
- Supplied with spacers.
- Sold per unit.

REFERENCE

3075.00. 0

3075.05. 0

3075.30. 0

3075.31. 0

3075.35. 0

3075.50. 0

FINISH

Polished finish

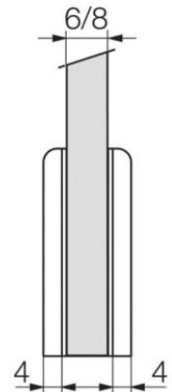
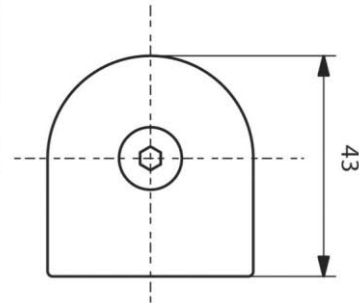
Polished brass PVD

Bright chromium

Matt chromium

Stainless steel effect

Lacquered



3085

Partition clip for fixed panel

- For 6 and 8mm glass.
- Made of aluminium bronze.
- Supplied with spacers.
- Sold per unit.

REFERENCE

3085.00. 0

3085.05. 0

3085.30. 0

3085.31. 0

3085.35. 0

3085.50. 0

FINISH

Polished brass

Polished brass PVD

Bright chromium

Matt chromium

Stainless steel effect

Lacquered

