

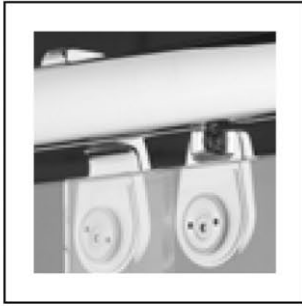
PREFIT

FITTINGS FOR GLASS



STREMLER ELOA - SLIDING SYSTEM

www.prefit-fittings.com



Functional: The adjustable system means that the height and incline of the glass panel are easy to adjust. Cleaning is simple with a flush inside surface.



Versatile: The possibilities of the Eloa system are wide ranging allowing the creation of sliding and folding shower doors.



Design: All details of the Eloa system, have been studied to create a great overall harmony.

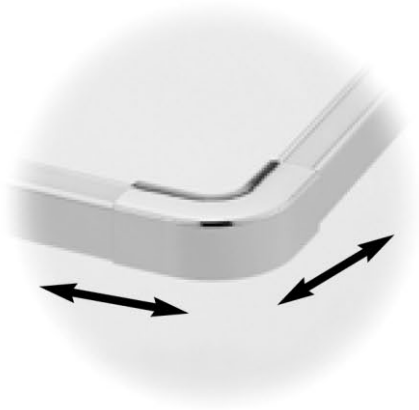


Adjustable: Designed for easy assembling, the system allows for the imperfections present in its environment.



- Quick and easy height and slope adjustment of the panels
- Maximum height variation of the panels 4mm
- Flush inside surface facilitating the cleaning of the shower





- The lower profile fixed by silicone facilitates the installation
- The lower connection part covers the profile in order to facilitate the adjustment of the two low profiles

- The vertical profile compensates a 20mm slope for a 2000mm height
- Avoid water projections outside the shower



- 2200mm long rail to be cut to the desired length
- Upper connection part covering the profile to obtain the best finish
- Available in bright chromium, matt chromium, gold plated and white lacquered



For 8mm Glass**SHOWER SLIDING SYSTEMS****CASE 1**

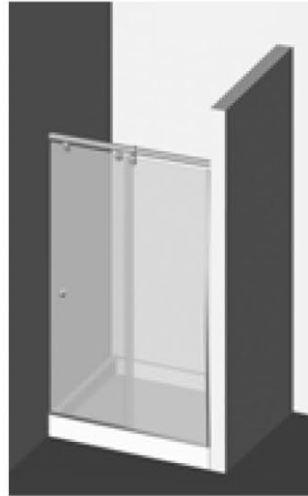
Wall to wall sliding door:

A sliding door and a fixed panel.

Sliding door on the left or right side.

Wall to wall distance: 2200mm.

Maximum door weight: 30 kg.

**CASE 2**

Corner access sliding door:

A sliding door and a fixed panel on each side.

Maximum tray width 1100 x 1100mm.

Maximum door width 550mm.

Maximum door weight: 30 kg.

**CASE 3**

Frontal access sliding door:

A sliding door and a fixed panel
on the left or right side.

Tray width 1100 x 1100mm.

Maximum door weight: 30 kg.



SHOWER SLIDING SYSTEMS

CASE 4

Frontal access sliding door:
A sliding door and a fixed panel and a fixed panel on the bath.

Maximum tray width 1100 x 1100mm.
Maximum door width 550mm.
Maximum door weight: 30 kg.

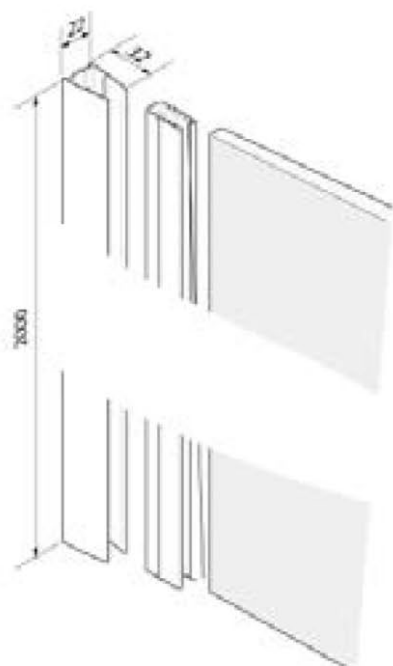


CASE 5

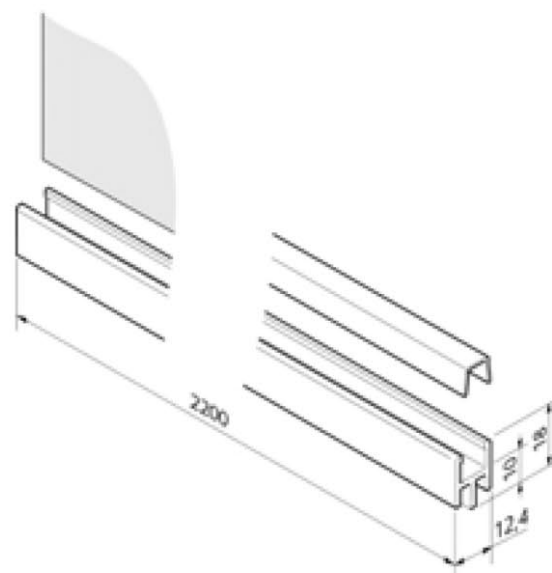
Wall to wall sliding doors:
A sliding door and a fixed panel on each side.
Wall to wall distance: 2200mm.
Maximum door weight: 30 kg.



VERTICAL PROFILE FOR FIXED PANEL



LOWER PROFILE FOR FIXED PANEL

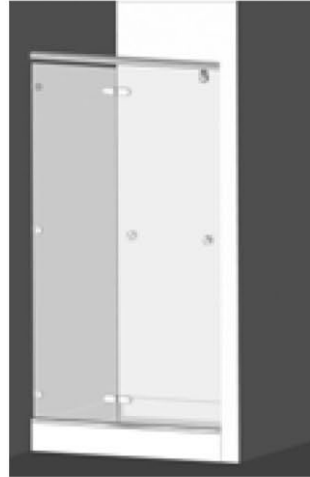


For 8mm Glass

SHOWER SLIDING SYSTEMS

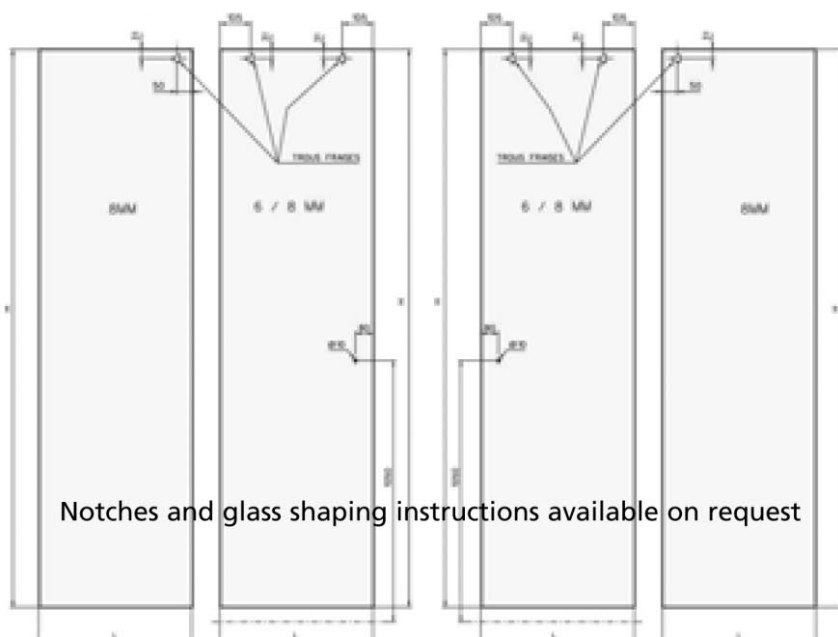
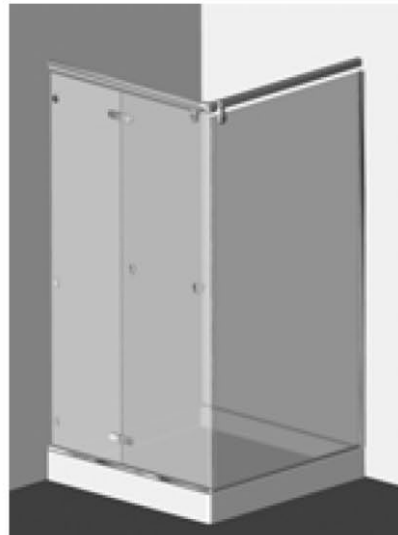
CASE 6

Wall to wall folding door:
Folding door, to the inside of the shower.
Maximum tray width: 1100 x 1100mm.



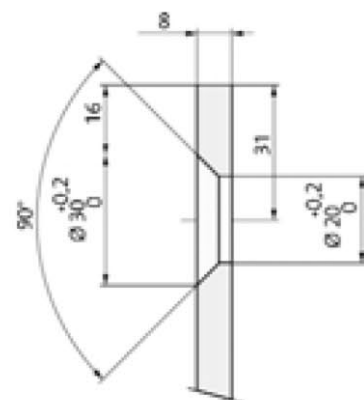
CASE 7

Frontal access sliding door:
A folding door, to the inside of the shower
and a fixed panel on the right or left side.
Maximum tray width: 1100 x 1100mm.



Notches and glass shaping instructions available on request

BORED HOLE



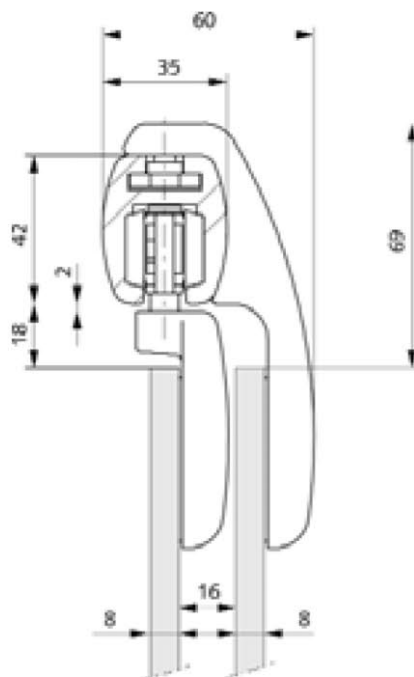
SHOWER SLIDING SYSTEMS

CASE 8

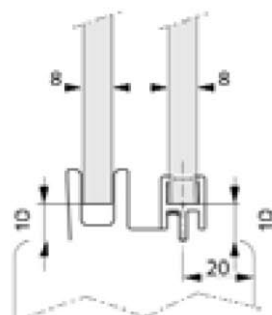
An interior sliding door.
Maximum rail length 2200mm.
Maximum door weight: 40 Kg.



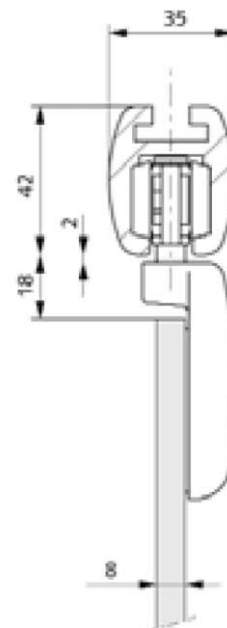
SLIDING SYSTEM



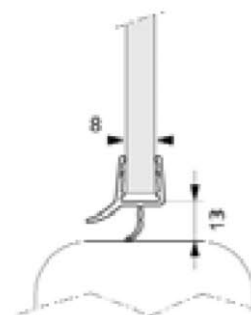
EXT.



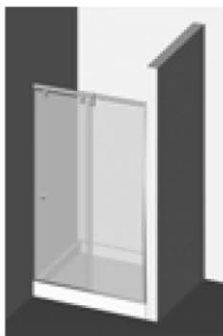
FOLDING SYSTEM



EXT.



Each set contains the required elements for the corresponding case.



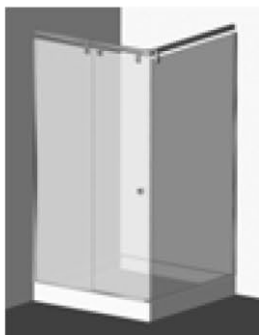
CASE 1 A sliding door and a fixed panel

Reference	Finish
2820.30.1	Bright chromium
2820.31.1	Matt chromium
2820.40.1	Gold plated
2820.51.1	White lacquered



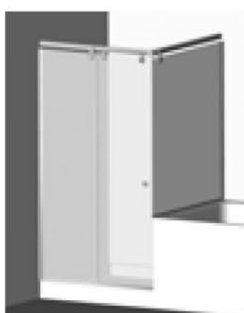
CASE 2 A sliding door and a fixed panel on each side

Reference	Finish
2820.30.2	Bright chromium
2820.31.2	Matt chromium
2820.40.2	Gold plated
2820.51.2	White lacquered



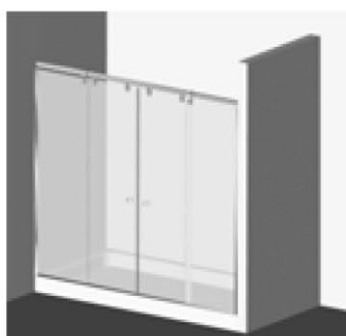
CASE 3 A sliding door, a fixed panel and a fixed panel on the side

Reference	Finish
2820.30.3	Bright chromium
2820.31.3	Matt chromium
2820.40.3	Gold plated
2820.51.3	White lacquered



CASE 4 A sliding door, a fixed panel and a fixed panel on the bath-tube

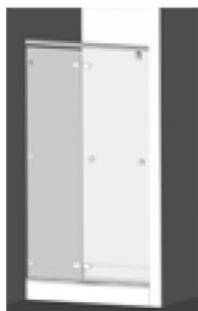
Reference	Finish
2820.30.4	Bright chromium
2820.31.4	Matt chromium
2820.40.4	Gold plated
2820.51.4	White lacquered



CASE 5 A sliding door and a fixed panel on each side

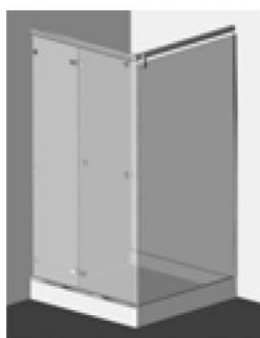
Reference	Finish
2820.30.5	Bright chromium
2820.31.5	Matt chromium
2820.40.5	Gold plated
2820.51.5	White lacquered

Each set contains the required elements for the corresponding case.



CASE 6 Folding door, to the inside of the shower

Reference	Finish
2820.30.6	Bright chromium
2820.31.6	Matt chromium
2820.40.6	Gold plated
2820.51.6	White lacquered



CASE 7 A folding door, to the inside of the shower and a fixed panel

Reference	Finish
2820.30.7	Bright chromium
2820.31.7	Matt chromium
2820.40.7	Gold plated
2820.51.7	White lacquered



CASE 8 A sliding door

Reference	Finish
2820.30.8	Bright chromium
2820.31.8	Matt chromium
2820.40.8	Gold plated
2820.51.8	White lacquered

