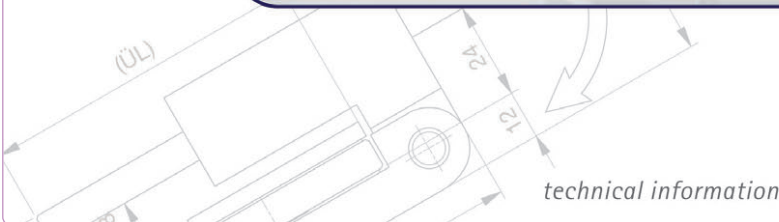
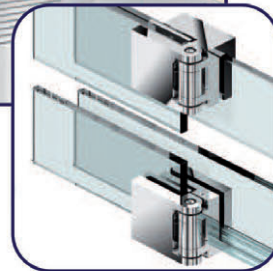


# Fluture - Shower Door Hinge Set

## **F**luture

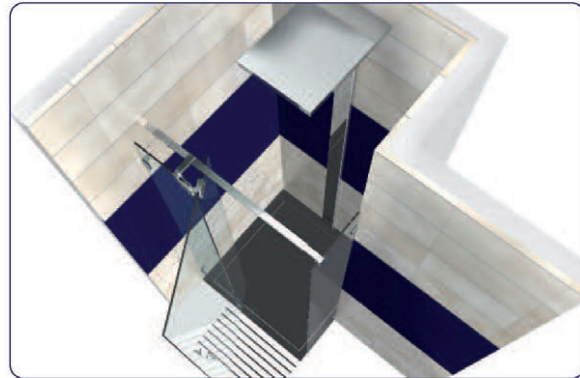
*shower door hinge set for glass showers*



### Fluture – Small hardware with big effects

Fluture is the smallest shower hinge from P+S but offers multiple solutions. The clamping feature allows for free positioning of the overlapping of the door. Easy compensation for any tolerances present on site.

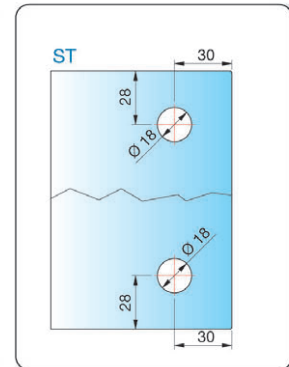
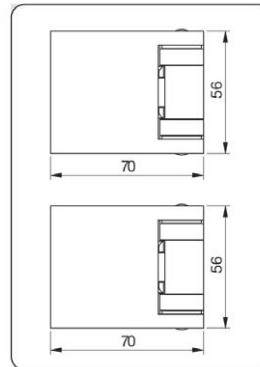
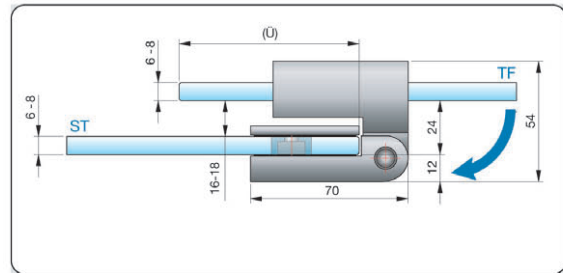
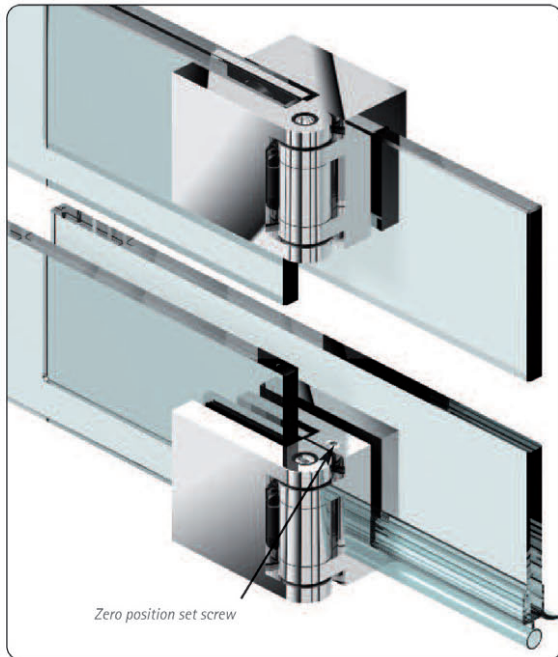
- zero position infinitely adjustable  $\pm 6^\circ$
- quick and easy assembly thanks to the free positioning of the overlap, simple tolerance compensation
- minimal glass work: one hole per fitting on the side panel and no holes needed on the door leaf
- 180° opening angle
- glass thickness: 6 and 8 mm. Can also be combined.  
For example: door leaf = 6-mm tempered safety glass in combination with side panel = 8-mm tempered safety glass
- all kinds of installation situations possible (niche, corner, round and u-shaped showers)



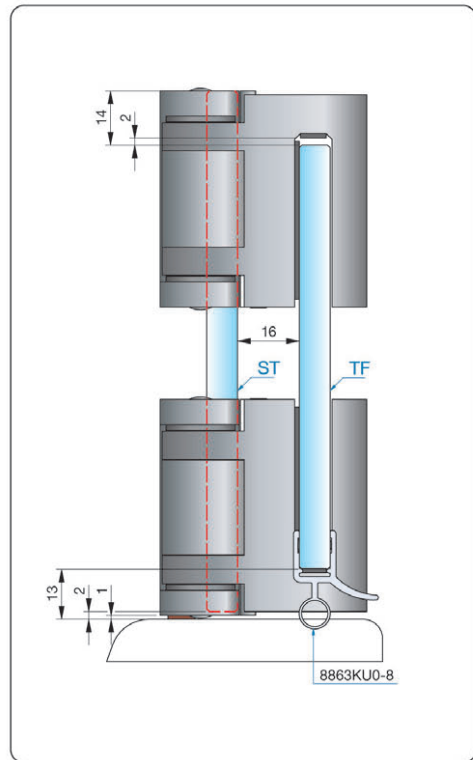
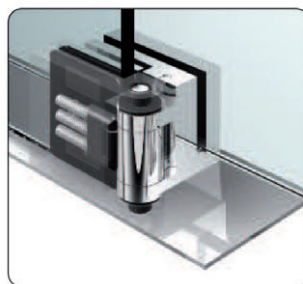
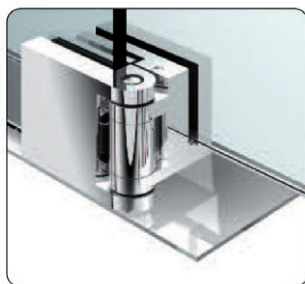
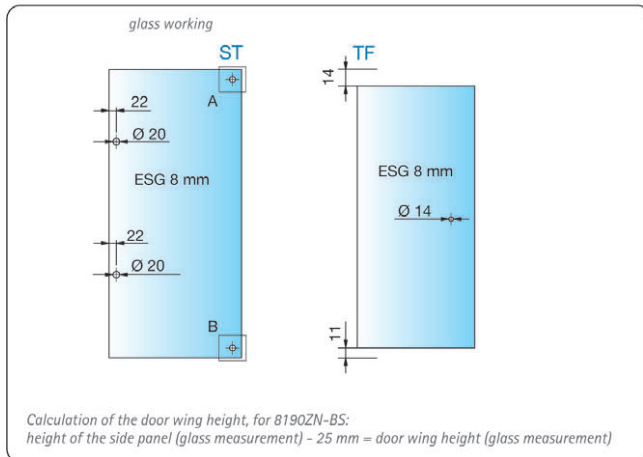
Adjustment range for the door leaf with different overlaps ( $\ddot{U}$ ).  
For a proper sealing the minimum overlap dimension must be observed.

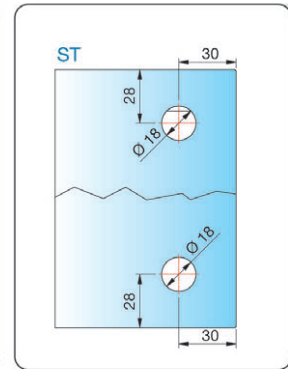
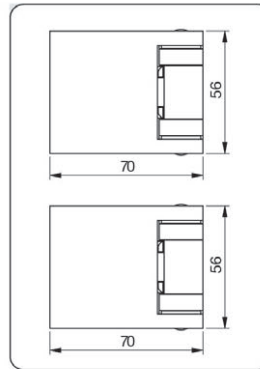
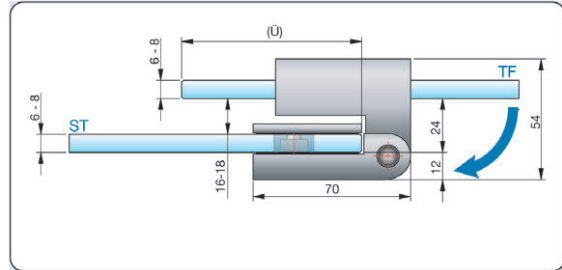
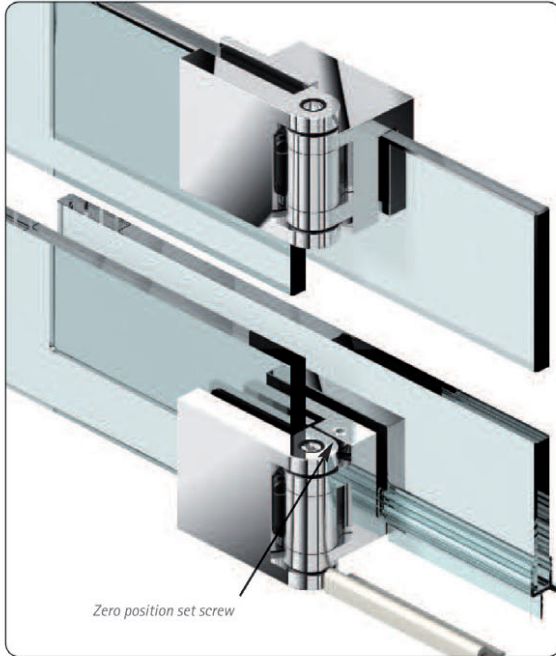
overlap ( $\ddot{U}$ ) in mm		adjustable in mm
minimum	80	$\pm 10$
	100	$\pm 30$
	120	$\pm 50$
recommended	150	$\pm 80$
	180	$\pm 110$
	200	$\pm 130$
	250	$\pm 180$

table valid for both sets of fittings.



article-no.	finishes	glass thickness	article name	features
8190ZN_BS	ZN5 ZN1 ZNPVD22	6-8 mm	shower door hinge set, overlapping, glass-glass 180°	opening outward 180°





article-no.	finishes	glass thickness	article name	features
8192ZN_-BS	ZN5 ZN1 ZNPVD22	6-8 mm	shower door hinge set, overlapping, glass-glass 180° for assembly with splash guard	opening outward 180°

