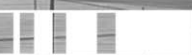


PREFIT

FITTINGS FOR GLASS



For 8mm to 12mm Glass - STREMLER MELORA

www.prefit-fittings.com

SINGLE ADJUSTABLE HINGES

FOR FOR 8 TO 12MM GLASS SHOWER SCREENS

GENERAL FEATURES

Made of brass.

Stainless steel rotation pin.

Max load 40 kg, for loads exceeding a third hinge must be fitted.

The angular blocking system means that:

- 1) The angle of the hinge can be adjusted according to the type of installation for example the same product can be used to create a shower screen at 90° or at 135°.
- 2) The hinge adjustment can be carried out quickly to bring the hinge into line with a fixed panel or a second door.

3560.**. ORNS

Single adjustable hinge 90° blocking with 4 fixing points

- For 8 to 10mm thick glass series 3560.**. 0V8R.
- For 10 to 12mm thick glass series 3560.**. OR.
- Opening through 180°.
- Supplied with screws and spacers.
- Sold in pairs.



for 10 and 12mm Glass

REFERENCE

FINISH

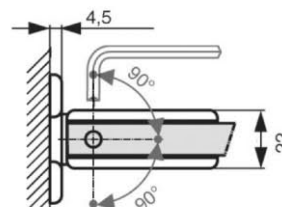
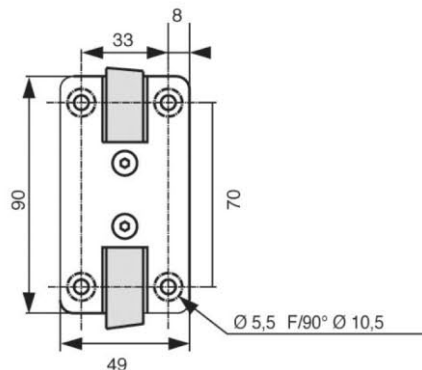
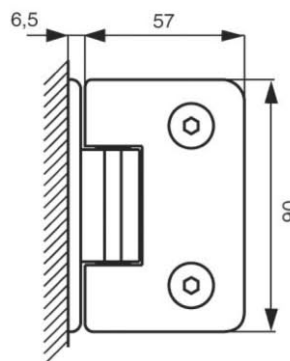
3560.00. ORNS	Polished brass
3560.05. ORNS	Polished brass PVD
3560.30. ORNS	Bright chromium
3560.31. ORNS	Matt chromium
3560.35. ORNS	Stainless steel effect
3560.50. ORNS	Lacquered finish

3560.00. 0V8RNS

Polished brass

for 8 and 10mm Glass

3560.05. 0V8RNS	PVD Polished brass PVD
3560.30. 0V8RNS	Bright chromium
3560.31. 0V8RNS	Matt chromium
3560.35. 0V8RNS	Stainless steel effect
3560.50. 0V8RNS	Lacquered finish



3561.**. ORNS

Single adjustable hinge 90° blocking with 2 fixing points

- For 8 to 10mm thick glass series 3561.**. 0V8R.
- For 10 to 12mm thick glass series 3561.**. OR.
- Opening through 180°.
- Supplied with screws and spacers.
- Sold in pairs.



for 10 and 12mm Glass

REFERENCE

FINISH

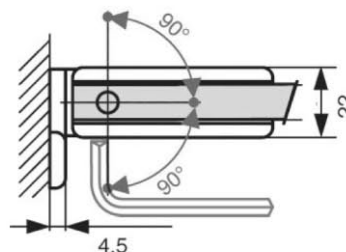
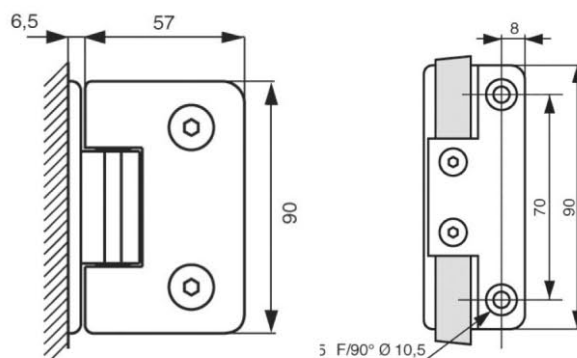
3561.00. ORNS	Polished brass
3561.05. ORNS	Polished brass PVD
3561.30. ORNS	Bright chromium
3561.31. ORNS	Matt chromium
3561.35. ORNS	Stainless steel effect
3561.50. ORNS	Lacquered finish

3561.00. 0V8RNS

Polished brass

for 8 and 10mm Glass

3561.05. 0V8RNS	PVD Polished brass PVD
3561.30. 0V8RNS	Bright chromium
3561.31. 0V8RNS	Matt chromium
3561.35. 0V8RNS	Stainless steel effect
3561.50. 0V8RNS	Lacquered finish



GENERAL FEATURES

Made of brass.

Stainless steel rotation pin.

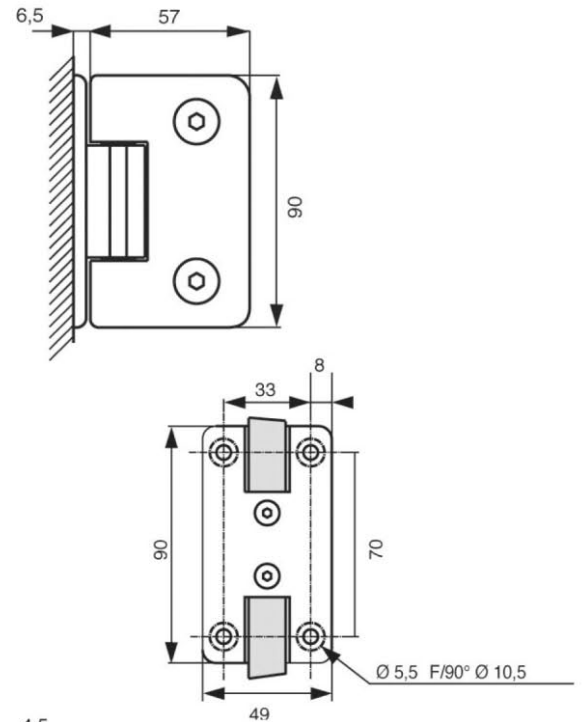
Max load 40 kg, for loads exceeding a third hinge must be fitted.

3560..0**

Single hinge

90° blocking with 4 fixing points

- For 8 to 10mm thick glass series 3560.**. 0V8.
- For 10 to 12mm thick glass series 3560.**. 0.
- Opening through 180°.
- Supplied with screws and spacers.
- Sold in pairs.



REFERENCE

- 3560.00. 0
- 3560.30. 0
- 3560.31. 0

FINISH

- Polished brass
- Bright chromium
- Matt chromium

for 10 and 12mm Glass

3560.00. 0V8

3560.30. 0V8

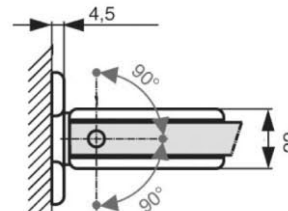
3560.31. 0V8

Polished brass

Bright chromium

Matt chromium

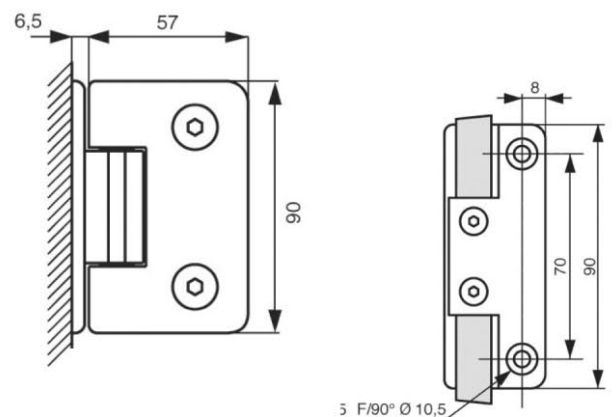
for 8 and 10mm Glass



3561..0**

Single hinge 90° blocking with 2 fixing points

- For 8 to 10mm thick glass series 3561.**. 0V8.
- For 10 to 12mm thick glass series 3561.**. 0.
- Opening through 180°.
- Supplied with screws and spacers.
- Sold in pairs.



REFERENCE

- 3561.00. 0
- 3561.30. 0
- 3561.31. 0

FINISH

- Polished brass
- Bright chromium
- Matt chromium

for 10 and 12mm Glass

3561.00. 0V8

3561.30. 0V8

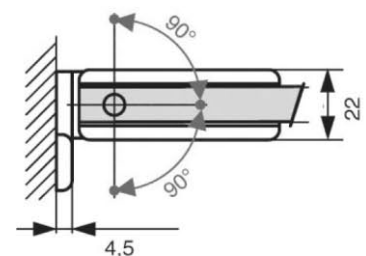
3561.31. 0V8

Polished brass

Bright chromium

Matt chromium

for 8 and 10mm Glass



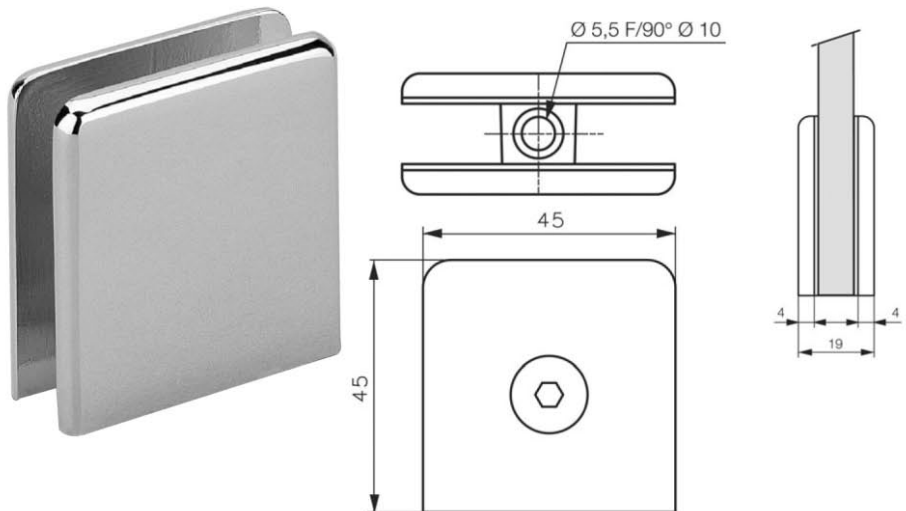
FOR 8, 10 AND 12MM FIXED SHOWER SCREENS

3265

Partition clip for fixed panel

- For 8 and 10mm glass.
- Tightened with 1 screw.
- Made of aluminium bronze.
- Supplied with spacers.
- Sold per unit.

REFERENCE	FINISH
3265.00. 0	Polished brass
3265.05. 0	Polished brass PVD
3265.30. 0	Bright chromium
3265.31. 0	Matt chromium
3265.35. 0	Stainless steel effect
3265.50. 0	Lacquered

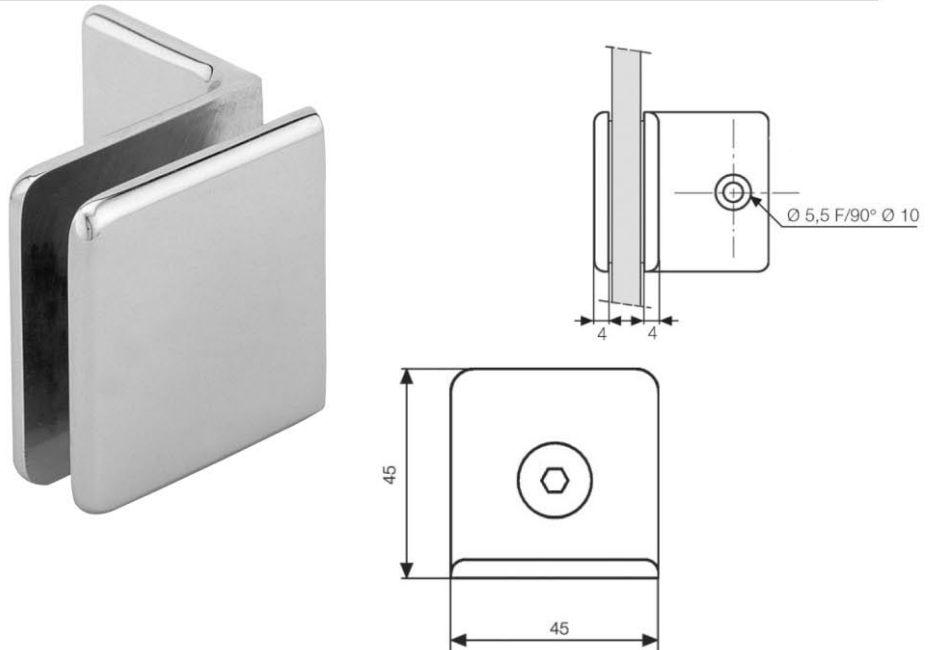


3465

Partition clip for fixed corner panel

- For 8, 10 and 12mm glass.
- Fixed with a screw.
- Made of aluminium bronze.
- Supplied with spacers.
- Sold per unit.

REFERENCE	FINISH
3465.00. 0	Polished brass
3465.05. 0	Polished brass PVD
3465.30. 0	Bright chromium
3465.31. 0	Matt chromium
3465.35. 0	Stainless steel effect
3465.50. 0	Lacquered

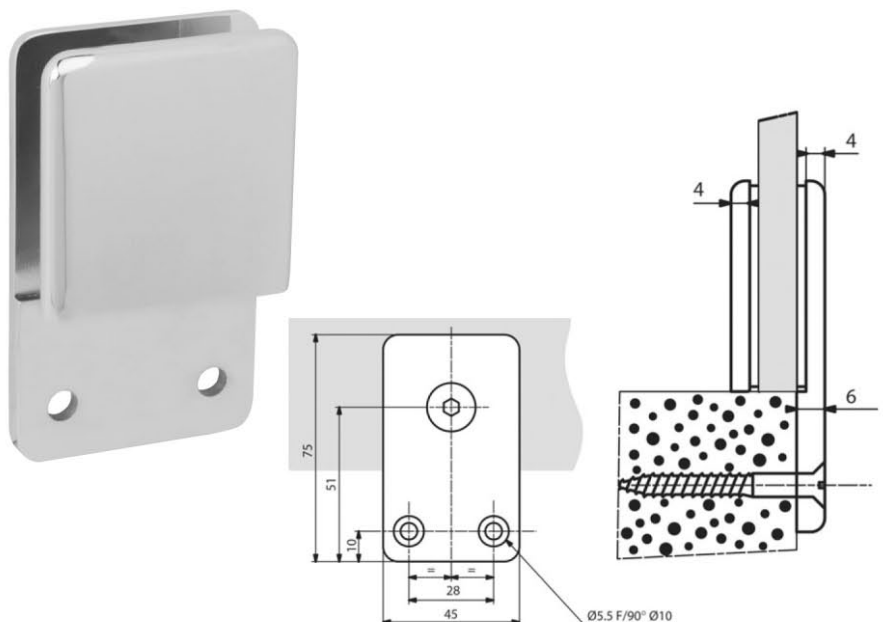


3565

Partition clip for fixed panel assembly onto low wall

- For 8, 10 and 12mm glass.
- Fixed with a screw.
- Made of aluminium bronze.
- Supplied with spacers.
- Sold per unit.

REFERENCE	FINISH
3565.00. 0	Polished brass
3565.05. 0	Polished brass PVD
3565.30. 0	Bright chromium
3565.31. 0	Matt chromium
3565.35. 0	Stainless steel effect
3565.50. 0	Lacquered



**RANGE ACCESSORIES
FOR 6 AND 8MM SHOWER SCREENS****3255****Corner partition clip with clamp
for fixed panel at 90°**

Assembled at the edge of the glass.

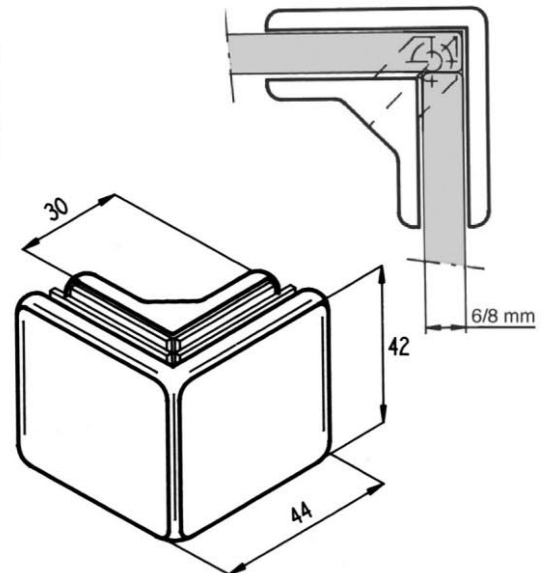
- For 6 and 8mm glass.
- Tightened with 1 screw.
- Made of aluminium bronze.
- Supplied with spacers.
- Sold per unit.

REFERENCE

3255.00. 0
3255.05. 0
3255.30. 0
3255.31. 0
3255.35. 0
3255.50. 0

FINISH

Polished brass
Polished brass PVD
Bright chromium
Matt chromium
Stainless steel effect
Lacquered

**3256****Corner clamping plate with clamp
for fixed panel at 90°**

Assembled in the middle of the panel.

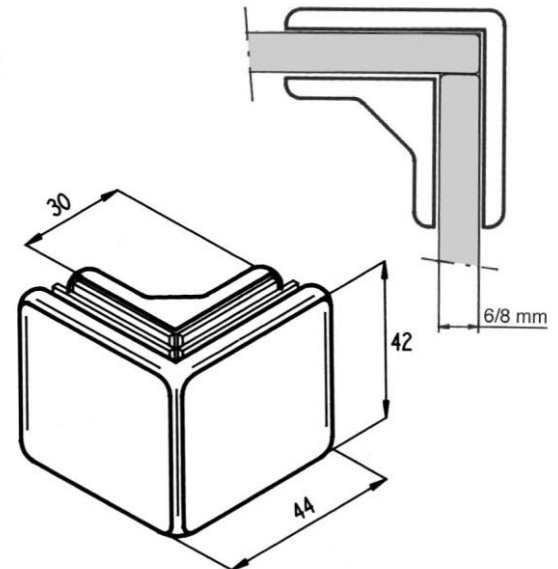
- For 6 and 8mm glass.
- Made of aluminium bronze.
- Supplied with spacers.
- Sold per unit.

REFERENCE

3256.00. 0
3256.05. 0
3256.30. 0
3256.31. 0
3256.35. 0
3256.50. 0

FINISH

Polished brass
Polished brass PVD
Bright chromium
Matt chromium
Stainless steel effect
Lacquered

**3056****Corner partition clip
for fixed panel**

Assembled in the middle of the panel.

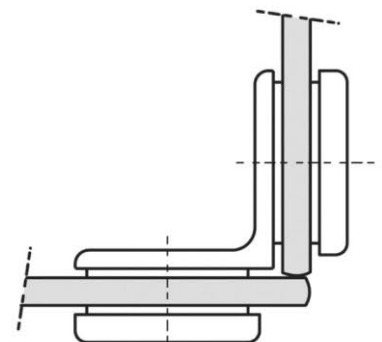
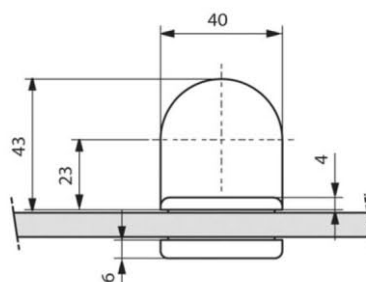
- For 6 and 8mm glass.
- Made of aluminium bronze.
- Supplied with spacers.
- Sold per unit.

REFERENCE

3056.00. 0
3056.05. 0
3056.30. 0
3056.31. 0
3056.35. 0
3056.50. 0

FINISH

Polished finish
PVD Polished brass PVD
Bright chromium
Matt chromium
Stainless steel effect
Lacquered



RANGE ACCESSORIES

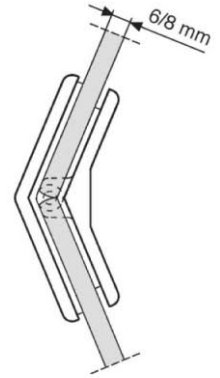
FOR SHOWER SCREENS

3258

Partition clip with clamp for fixed panel at 135°

Assembled at the edge of the glass.

- For 6 to 8mm thick glass.
- Fixed with one screw.
- Made of aluminium bronze.
- Supplied with spacers.
- Sold per unit.



REFERENCE

3258.00. 0

3258.05. 0

3258.30. 0

3258.31. 0

3258.35. 0

3258.50. 0

FINISH

Polished brass

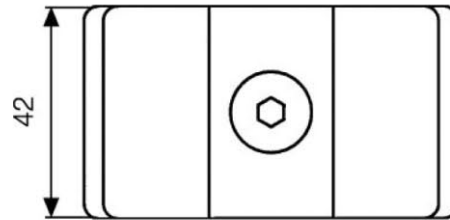
Polished brass PVD

Bright chromium

Matt chromium

Stainless steel effect

Lacquered

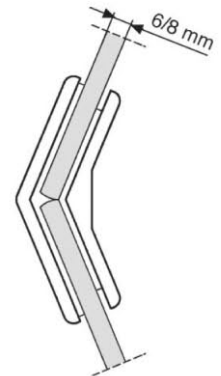


3257

Partition clip with clamp for fixed panel at 135°

Assembled in the middle of the panel.

- For 6 to 8mm thick glass.
- Made of aluminium bronze.
- Supplied with spacers.
- Sold per unit.



REFERENCE

3257.00. 0

3257.05. 0

3257.30. 0

3257.31. 0

3257.35. 0

3257.50. 0

FINISH

Polished brass

PVD Polished brass PVD

Bright chromium

Matt chromium

Stainless steel effect

Lacquered

