

# PREFIT

FITTINGS FOR GLASS

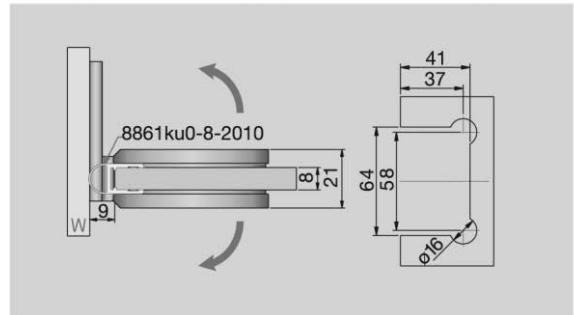
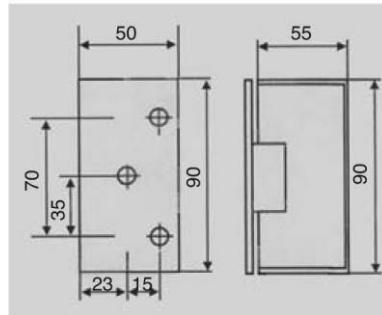


			<p>Glass thickness 8-12 mm</p>	<p>Features automatically closed to about 25° load capacity (2 hinges)</p>
<p>Article no. 8456</p>	<p>Finishes MS7</p>	<p>Article name Shower door hinge, glass-glass 180°, double sided opening 90°</p>		
			<p>Glass thickness 8-12 mm</p>	<p>Features automatically closed to about 25° load capacity (2 hinges)</p>
<p>Article no. 8458</p>	<p>Finishes MS7</p>	<p>Article name Shower door hinge, glass-glass 135°, double sided opening 90°</p>		
			<p>Glass thickness 8-12 mm</p>	<p>Features automatically closed to about 25° load capacity (2 hinges)</p>
<p>Article no.</p>	<p>Finishes</p>	<p>Article name</p>		

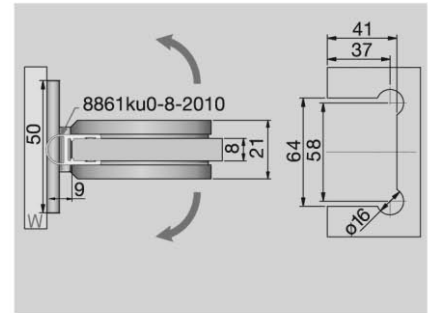
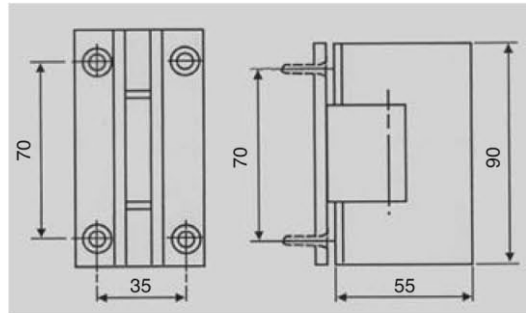
For 8, 10 & 12mm Glass

**Shower Door Hinges - Modesta**

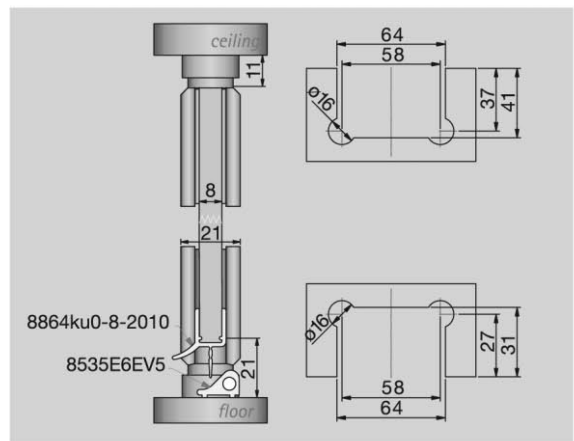
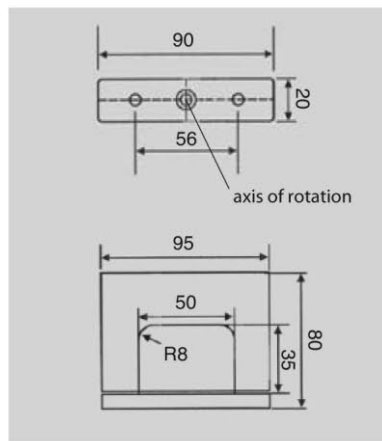
[www.prefit-fittings.com](http://www.prefit-fittings.com)



Article no.	Finishes	Article name	Glass thickness	Features
8450	MS7	Shower door hinge, glass-wall 90°, double sided opening 90°		automatically closed to about 25° load capacity (2 hinges)

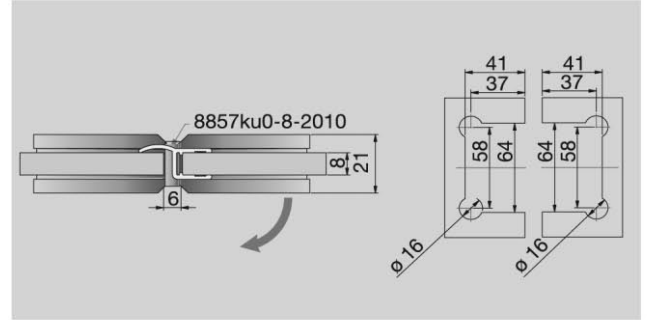
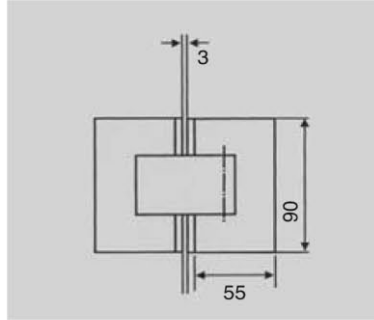


Article no.	Finishes	Article name	Glass thickness	Features
8452	MS7	Shower door hinge, glass-wall 90°, double sided opening 90°	8-12 mm	automatically closed to about 25° load capacity (2 hinges)

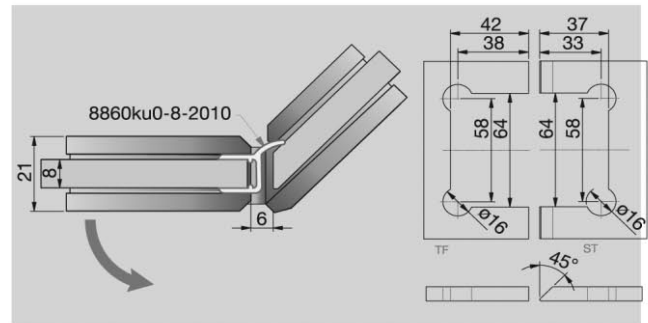
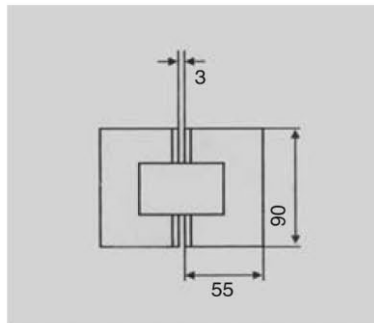


Article no.	Finishes	Article name	Glass thickness	Features
8454	MS7	rotatable shower door hinge, glass-floor/ glass-ceiling 360°, double sided opening	8-12 mm	automatically closed to about 25° load capacity (2 hinges)

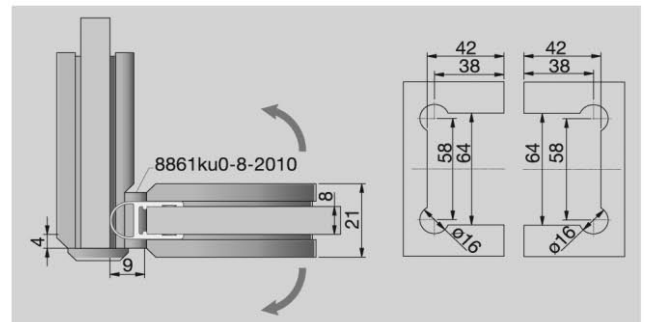
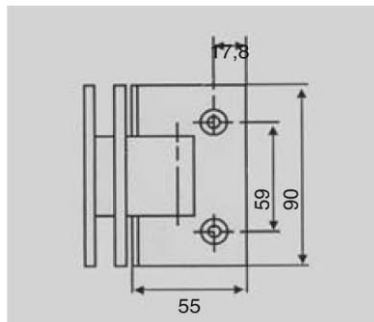
**Shower Door Hinges - Modesta**



Article-no.	Finishes	Article name	Glass thickness	Features
8456	MS7	Shower door hinge, glass-glass 180°, double sided opening 90°	8-12 mm	automatically closed to about 25° load capacity (2 hinges)



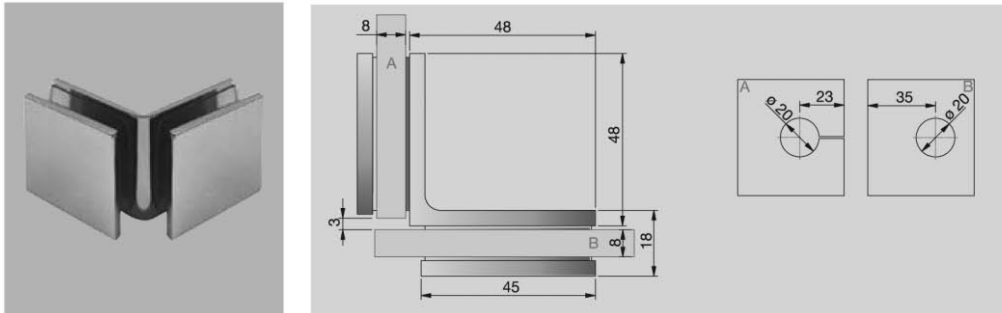
Article-no.	Finishes	Article name	Glass thickness	Features
8458	MS7	Shower door hinge, glass-glass 135°, double sided opening 90°	8-12 mm	automatically closed to about 25° load capacity (2 hinges)



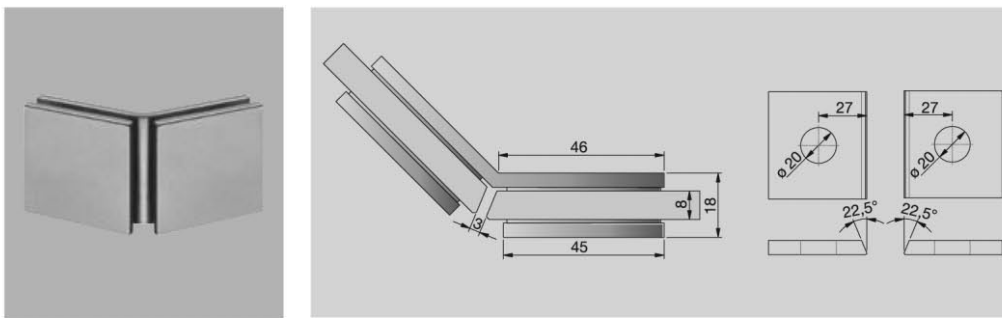
Article-no.	Finishes	Article name	Glass thickness	Features
8460	MS7	Shower door hinge, glass-glass 90°, double sided opening 90°	8-12 mm	automatically closed to about 25° load capacity (2 hinges)

ST = side panel

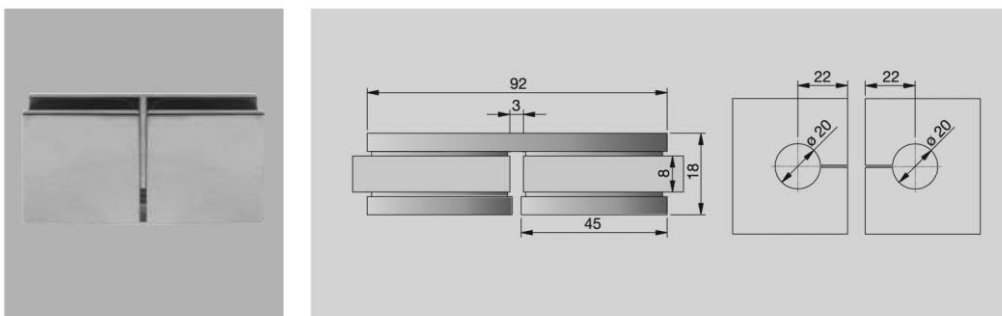
TF = wing of the door



Article-no.	Finishes	Article name	Glass thickness	Features
8468	MS7	corner bracket, glass-glass, 90°	8-12 mm	-

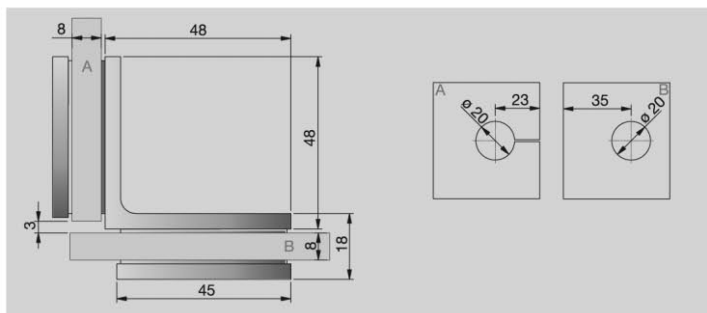


Article-no.	Finishes	Article name	Glass thickness	Features
8470	MS7	corner bracket, glass-glass, 135°	8-12 mm	-

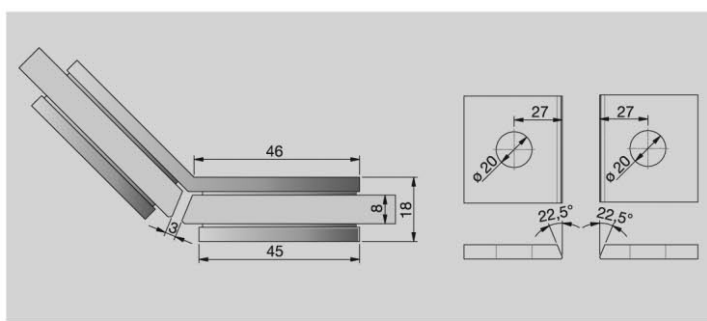


Article-no.	Finishes	Article name	Glass thickness	Features
8472	MS7	inline connector, glass-glass, 180°	8-12 mm	-

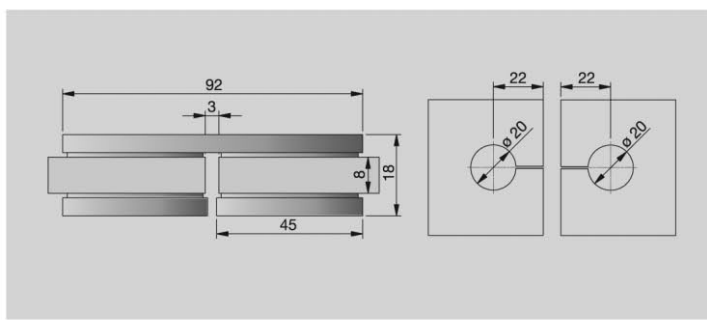
**Shower Door Hinges - Modesta**



Article-no.	Finishes	Article name	Glass thickness	Features
8468	MS7	corner bracket, glass-glass, 90°	8-12 mm	-



Article-no.	Finishes	Article name	Glass thickness	Features
8470	MS7	corner bracket, glass-glass, 135°	8-12 mm	-



Article-no.	Finishes	Article name	Glass thickness	Features
8472	MS7	inline connector, glass-glass, 180°	8-12 mm	-