

PREFIT

FITTINGS FOR GLASS



Vivere II. Natural elegance
meets functional design

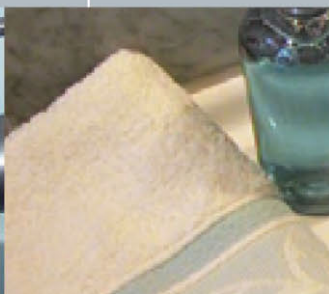
round shower

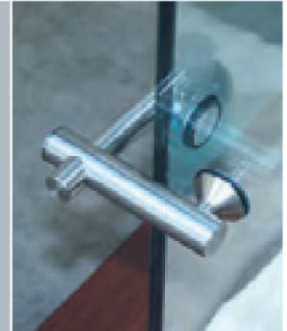
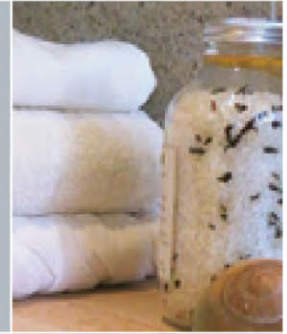
VIVERE II - SLIDING DOOR SHOWER

www.prefit-fittings.com

Vivere II Natural elegance
meets functional design

round shower





Circles and curves can be seen everywhere in nature. They combine stability, space and harmony with each other.

Advantages which convince you and your customers:

- beautiful form and balanced design
- pull-away lower guide for easy cleaning

■ optional with countersunk holes for a flush surface on the inside

■ easy assembly with optimal adjustability on the wall

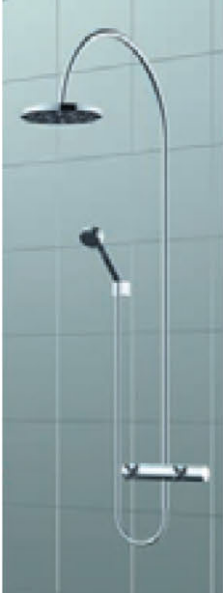
■ glass door fittings are eccentrically adjustable for a perfect fit

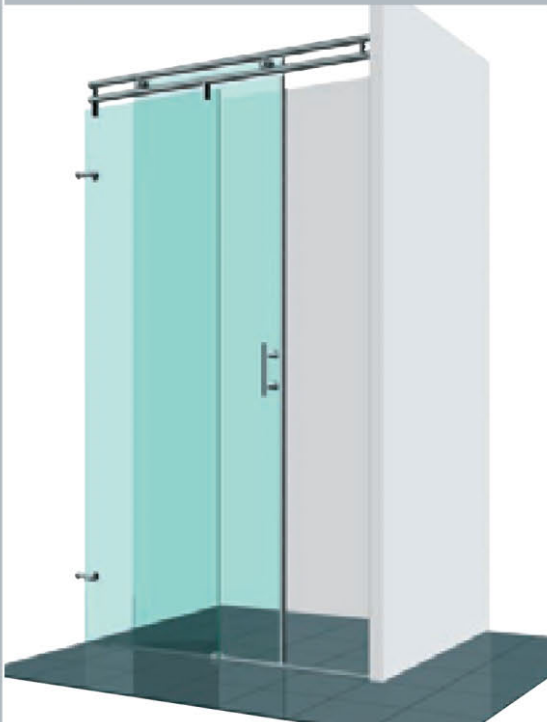
■ custom and special solutions on request



Vivere II

Vivere II – Beauty Without Limits,
Function Without Barriers





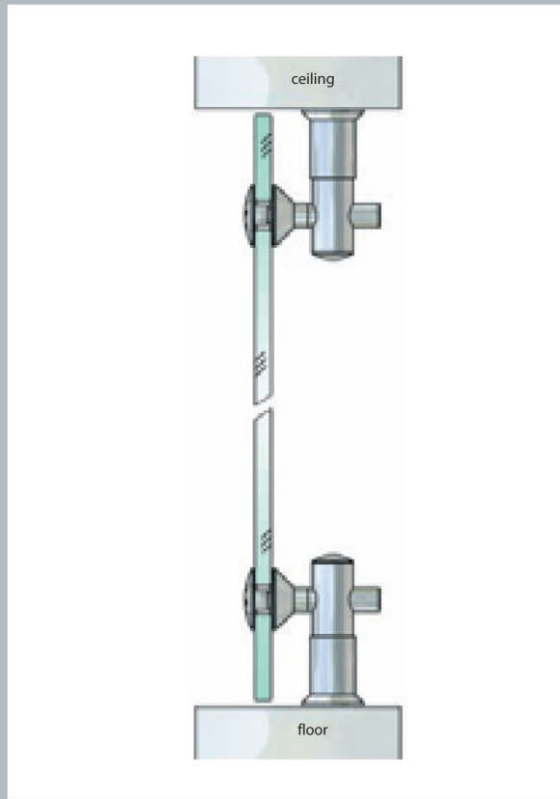
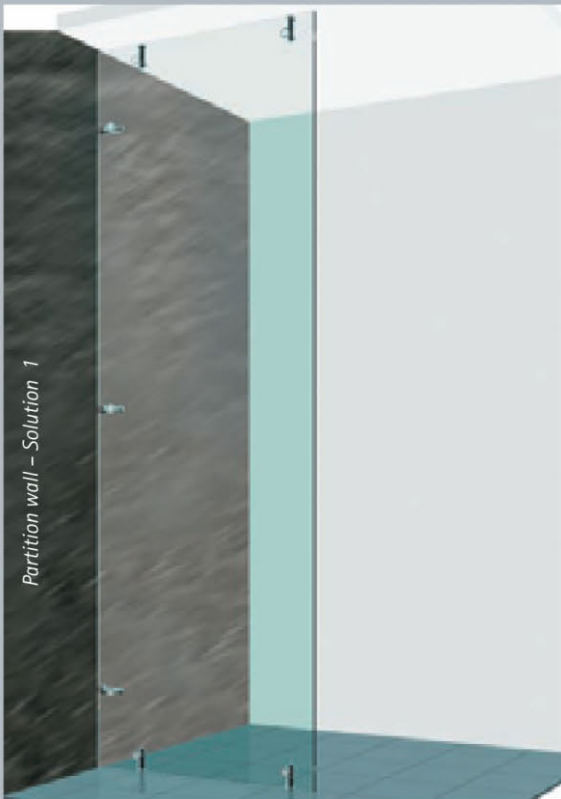
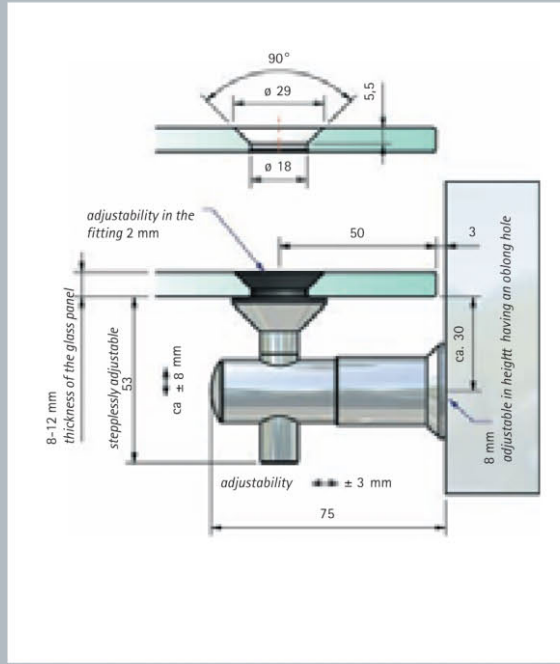
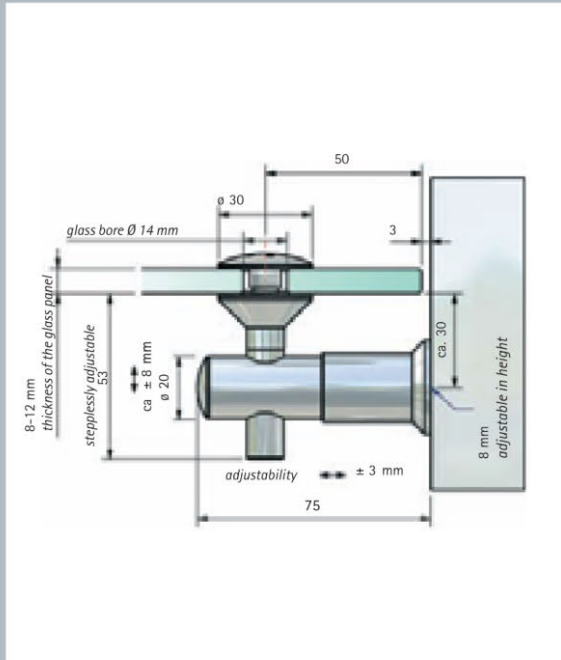
With this special solution, P+S combines the attractive design of the Vivere II with the requirements of a barrier-free bathroom. Its large sliding door creates a comfortable and roomy entrance and is much more attractive than typical "utility showers" in this area. This makes the Vivere II an excellent solution for all age groups, whether at home, in leisure baths, hotels, boarding houses or in residential or care institutions.

Advantages that will impress you and your customers:

- *Balanced design that allows for barrier-free use*
- *Eccentric, height-adjustable roller for a perfect fit*
- *Roomy, elegant appearance as it sits flush against the floor*
- *Easy cleaning thanks to the fold-away lower guide*

Please note: Because no floor profile is used as overflow protection, water can escape more easily. If desired, an overflow protection profile with a maximum height of 9 mm (permitted for barrier-free installations according to DIN 18025 Part 1) is available as an accessory.

Vivere-fastener glass-wall 90°



Vivere-fastener glass-glass 90°

