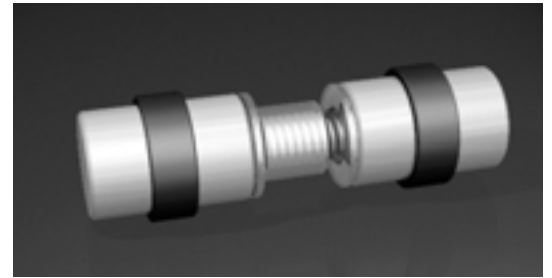


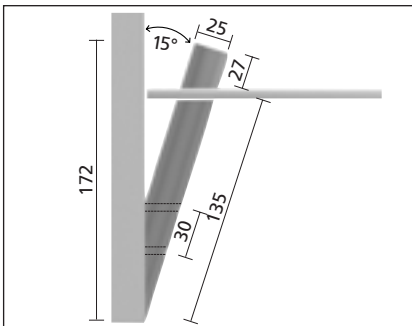
**Model No.** 2889  
**Finishes** MS0 MS5

**Model** Glass shelf support, two-sided rubber support, 1 grub screw, 2 plastic washers and 1 plastic tube

**Glass drilling** Ø 8mm

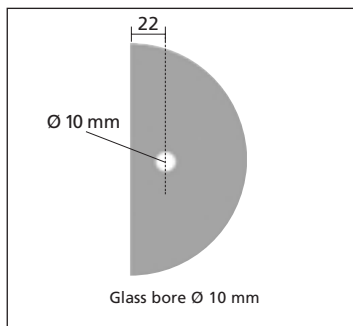


6mm to 12mm Glass

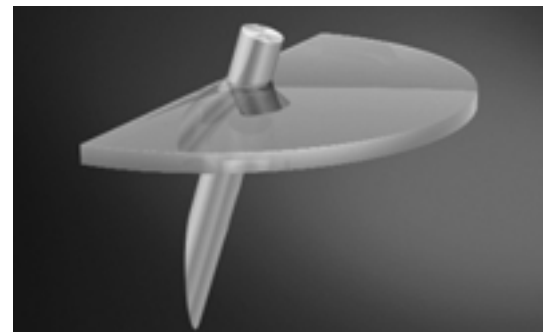


**Model No.** 10000  
**Finishes** VA2

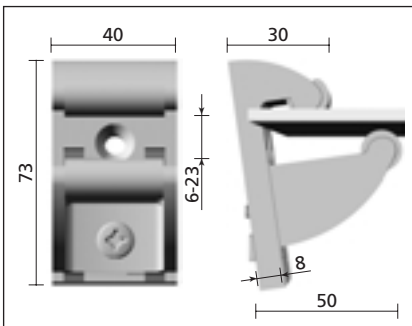
**Model** Glass support Archia, 2 fastening holes Ø 6mm for screws, 2 plastic washers, 1 cylinder head screw M5x35, 2 aluminium cores, 1 stainless steel cap, 1 stainless steel sleeve



Glass bore Ø 10 mm



6mm to 23mm Glass



**Model No.** 2896  
**Finishes** ZN0, ZN1, ZN5 ZN7, ZN12 ZN14, ZN15 ZN16, ZN22 RAL Colours

**Model** Universal shelf support, adjustable by grooved slots, usable vertically as well as slants up to 30° depending on glass thickness. 1 hole for fastening Ø 6.5mm countersunk head screw

**Extras** 2857 ST8

