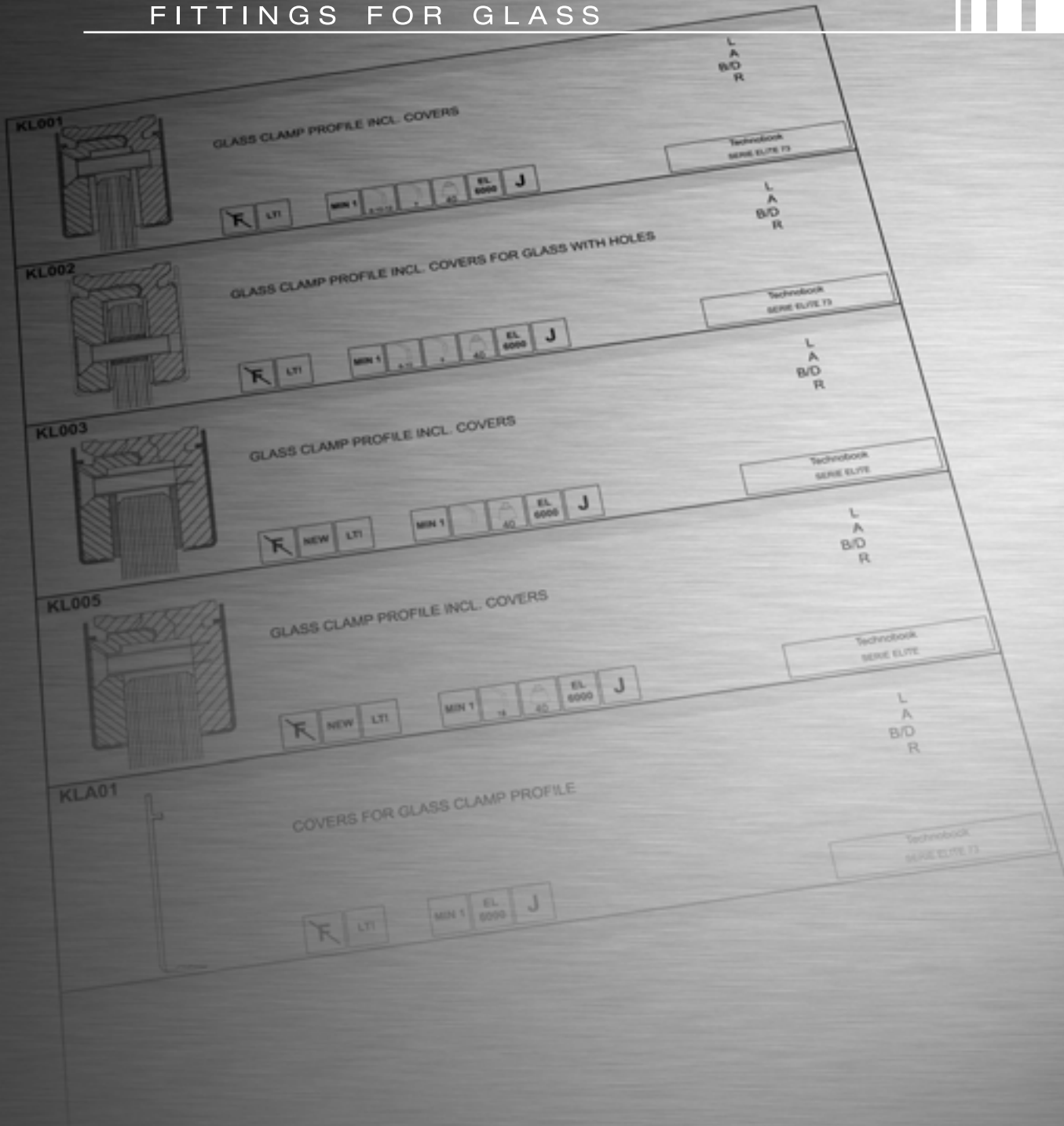


PREFIT

FITTINGS FOR GLASS

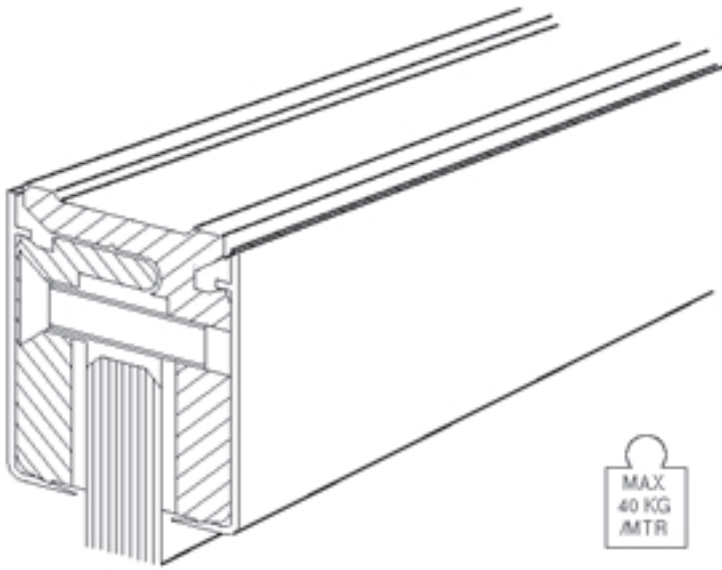


Section F

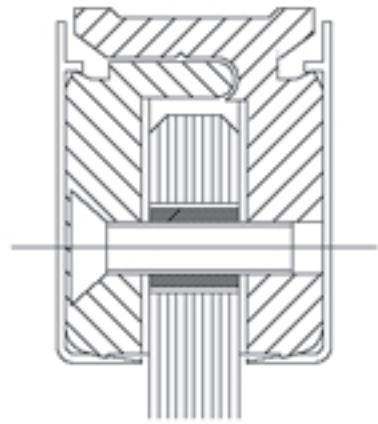
GLASS CLAMP PROFILE

www.prefit-fittings.com

Glass Clamp Profile

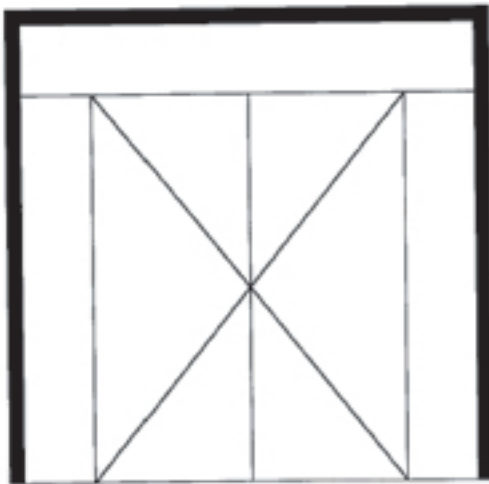


KL001



KL002

MAX.
40 KG
/MTR



PROFILE FOR FIXED PANELS. TRANSOM AND SIDE-PANEL FIXING.

